



Model Number

NBN30-FPS-A2

Features

- 30 mm non-flush
- 4-wire DC

Technical Data

General specifications

Switching function		complementary
Output type		PNP
Rated operating distance	s_n	30 mm
Installation		non-flush
Output polarity		DC
Assured operating distance	s_a	0 ... 24.3 mm
Actuating element		mild steel, e. g. 1.0037, SR235JR (formerly St37-2) 90 mm x 90 mm x 1 mm
Reduction factor r_{Al}		0.2
Reduction factor r_{Cu}		0.1
Reduction factor r_{304}		0.5
Reduction factor r_{Brass}		0.2
Output type		4-wire

Nominal ratings

Operating voltage	U_B	10 ... 30 V DC
Switching frequency	f	0 ... 50 Hz
Hysteresis	H	0.05 ... 7.26 mm
Reverse polarity protection		yes
Short-circuit protection		yes
Overload resistance		yes
Wire breakage protection		yes
Inductive overvoltage protection		yes
Surge suppression		yes
Ripple		10 %
Voltage drop	U_d	≤ 2.5 V
Repeat accuracy	R_d	0.75 mm
Operating current	I_L	0 ... 200 mA
Off-state current	I_r	≤ 0.01 mA
No-load supply current	I_0	≤ 20 mA
Time delay before availability	t_v	≤ 100 ms
Operating voltage indicator		LED, green
Switching state indicator		LED, yellow

Functional safety related parameters

MTTF _d	1430 a
Mission Time (T_M)	20 a
Diagnostic Coverage (DC)	0 %

Ambient conditions

Ambient temperature	-25 ... 85 °C (-13 ... 185 °F)
Storage temperature	-40 ... 85 °C (-40 ... 185 °F)

Mechanical specifications

Connection type	screw terminals
Core cross-section	up to 2.5 mm ²
Housing material	PBT
Sensing face	PBT
Housing base	PBT
Degree of protection	IP65
Mass	270 g

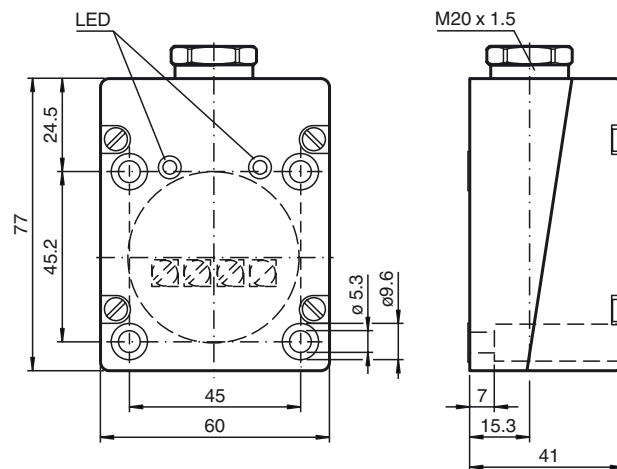
Compliance with standards and directives

Standard conformity	
Standards	EN 60947-5-2:2007 EN 60947-5-2/A1:2012 IEC 60947-5-2:2007 IEC 60947-5-2 AMD 1:2012

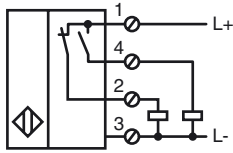
Approvals and certificates

CCC approval	CCC approval / marking not required for products rated ≤ 36 V
--------------	--

Dimensions



Electrical Connection



Release date: 2019-02-08 10:13 Date of issue: 2019-02-08 236513_eng.xml