

General Description

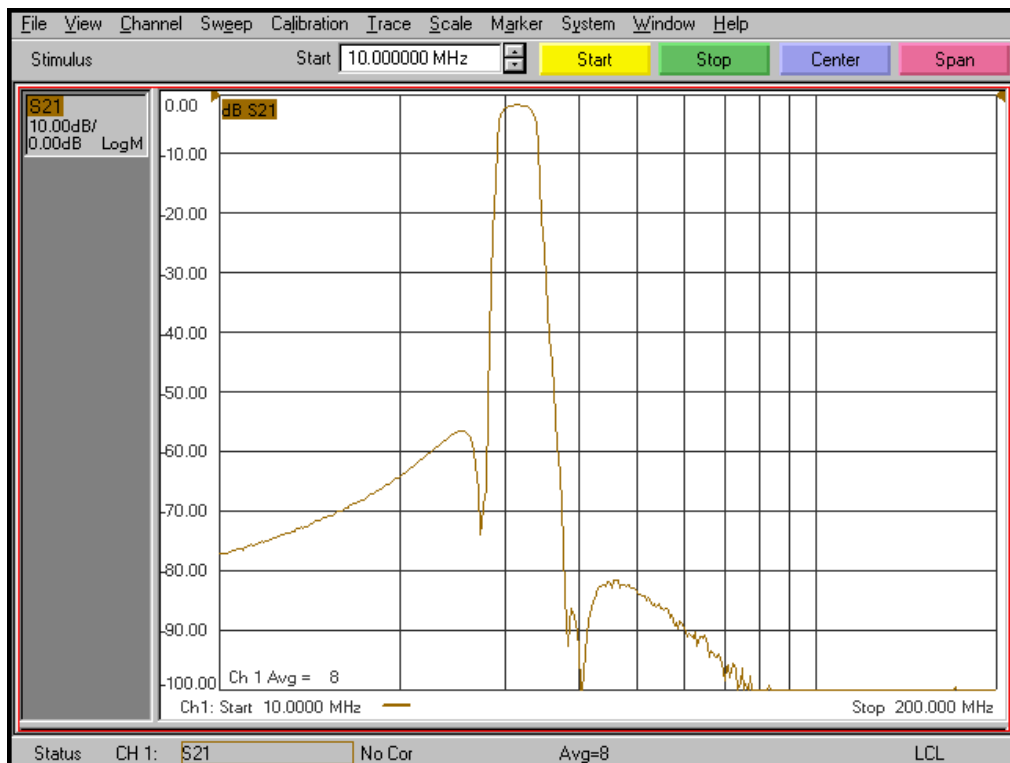
KR Electronics part number 3206 is a 31.6 MHz bandpass filter. The filter has a typical 3 dB bandwidth of 4.5 MHz. Other frequencies are available. Please consult the factory.

Features

- 31.6 MHz Bandpass Filter
- 3 dB Bandwidth 4.5 MHz typical
- Selective Elliptic Type Filter
- 50 Ω Source and Load
- Surface Mount
- SMA Connectors Available

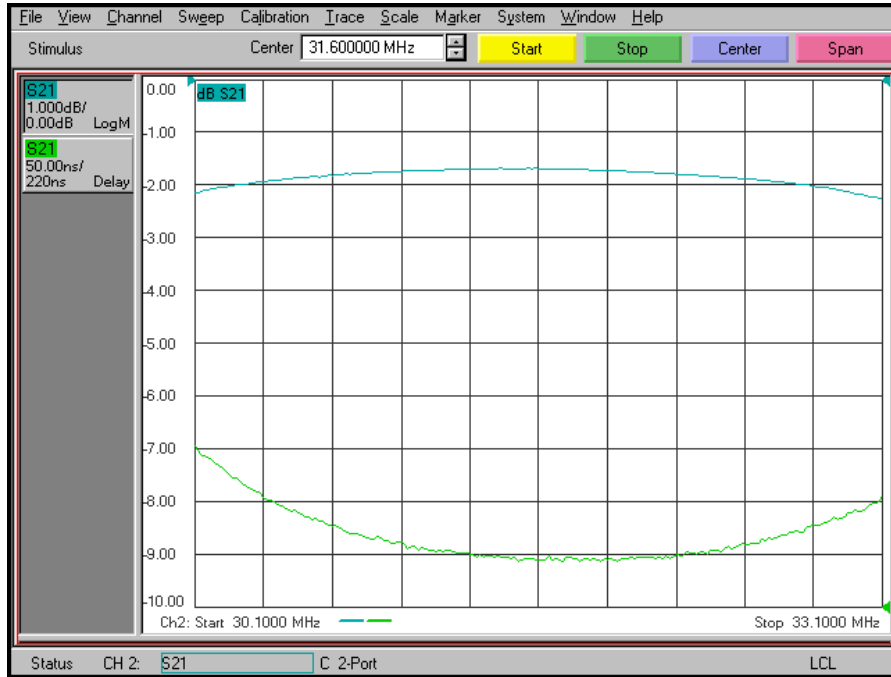
Typical Performance

Overall Response (10 dB/div)



KR Electronics 3206

Passband Amplitude & Group Delay (1 dB/div & 50 nsec/div)



Overall Response (10 dB/div)



KR Electronics, Inc.
91 Avenel Street
Avenel, NJ 07001

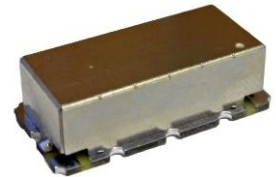
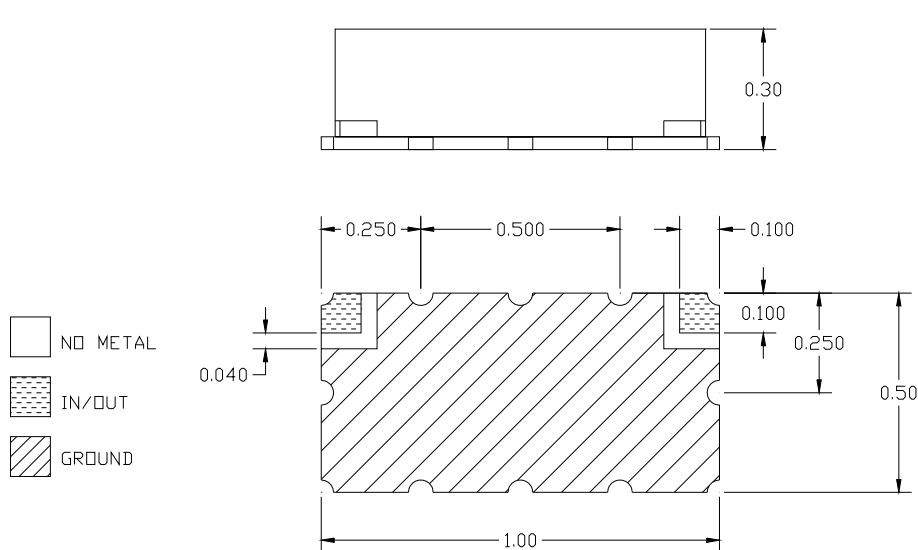
Web www.krfilters.com
Email sales@krfilters.com
Phone (732) 636-1900
Fax (732) 636-1982

KR Electronics 3206

Specifications

Parameter	Specification	Notes
Filter type	Bandpass	
Center Frequency	31.6 MHz	
Insertion Loss	4 dBa max	2 dBa typical
1 dB Bandwidth	3.6 MHz typical	
3 dB Bandwidth	4.5 MHz typical	
Rejection at 28 MHz & 37 MHz	50 dB min	
40 dB Bandwidth	7.5 MHz typical	
50 dB Bandwidth	8.3 MHz typical	
Source and Load	50 Ω	

Physical Dimensions



Notes:

1. Surface mount package
2. Dimensions in inches
3. Max reflow temperature 230° C for 10 sec
4. If boards are cleaned after installation units must be completely dried