

4

3

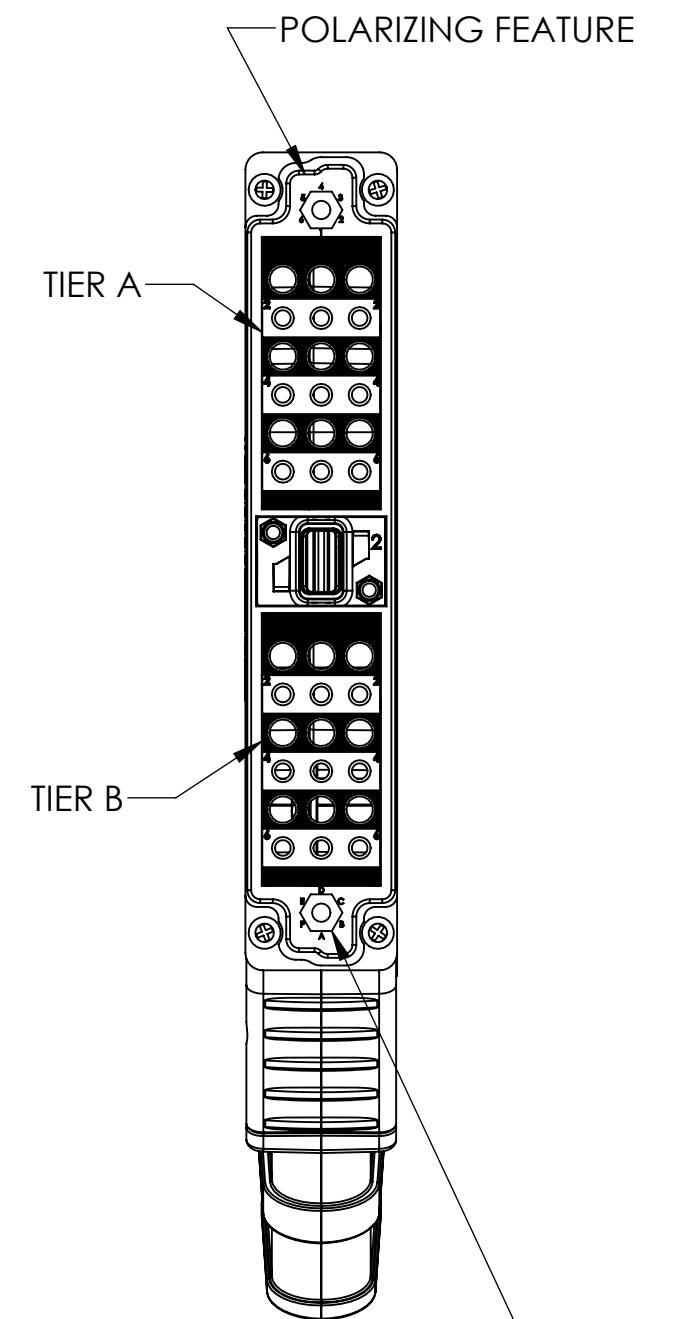
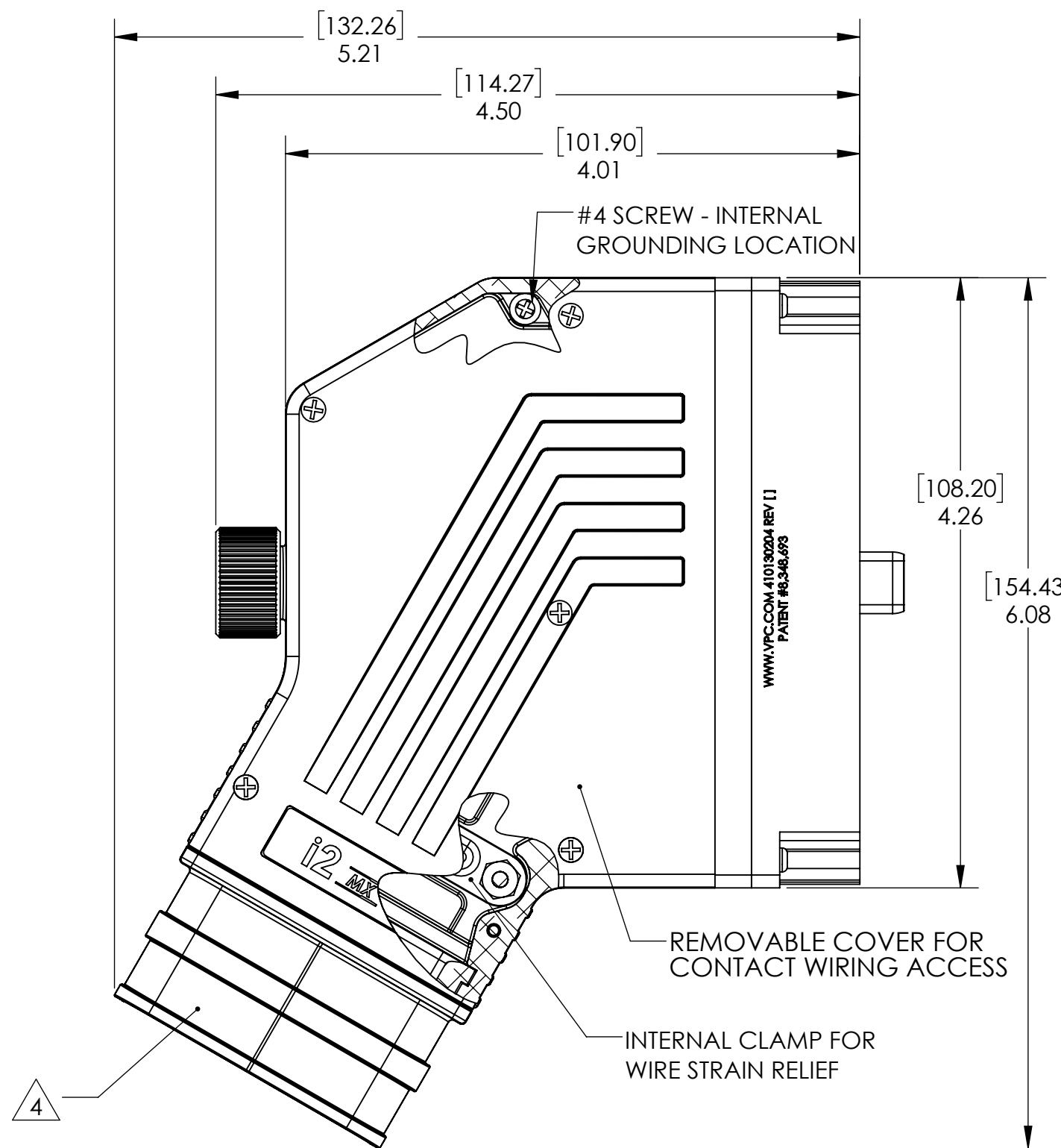
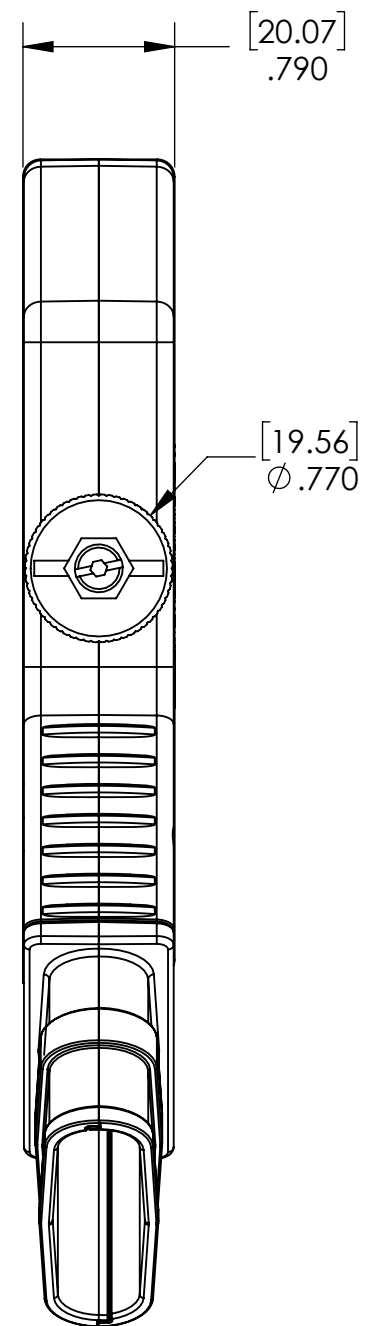
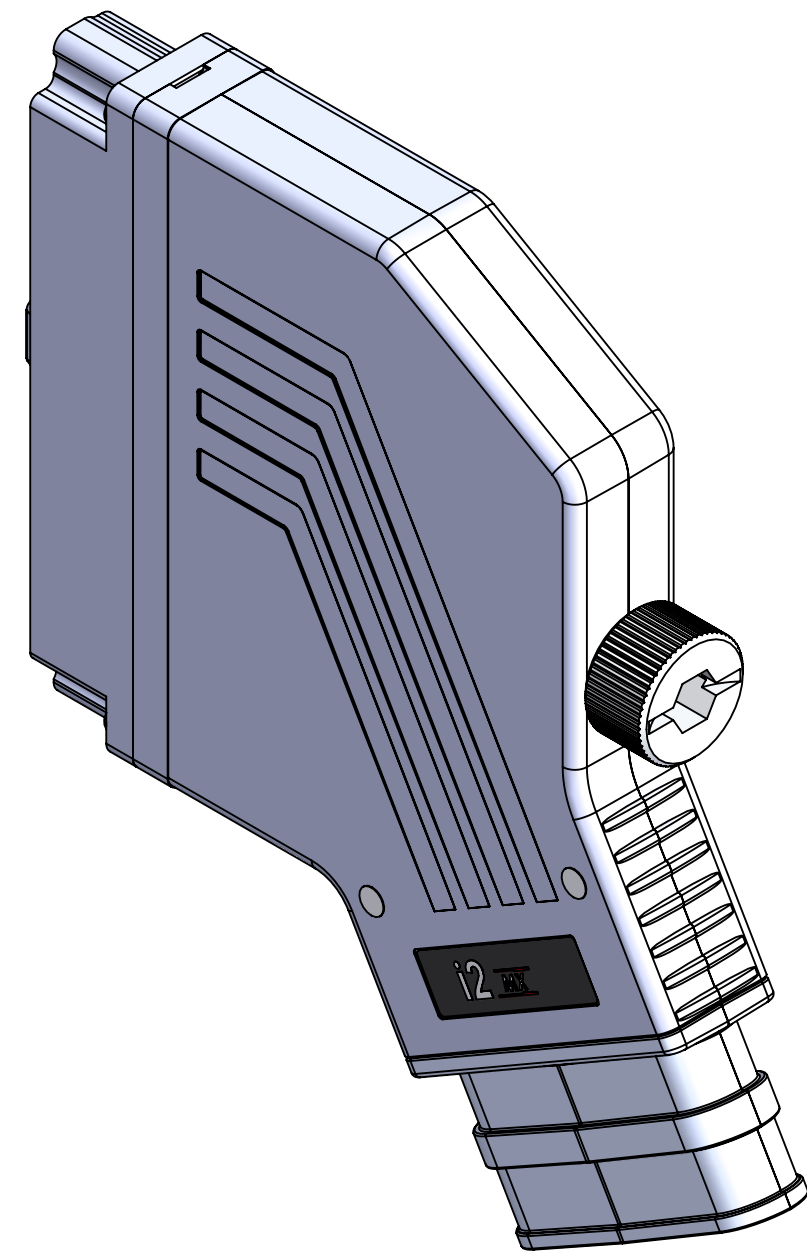
2

1

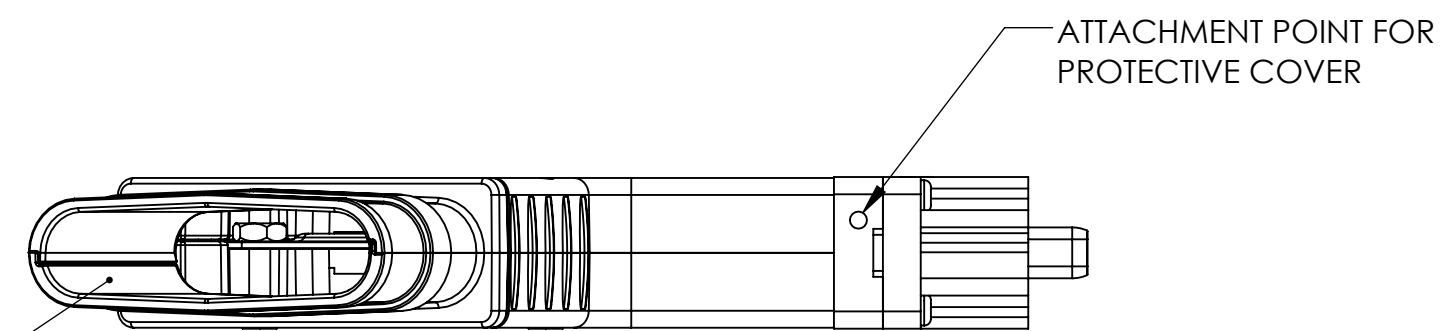
DO NOT SCALE DRAWING

THE INFORMATION CONTAINED HEREIN IS THE EXCLUSIVE PROPERTY OF VIRGINIA PANEL CORPORATION AND IS SUBMITTED FOR USE BY THE CUSTOMER ONLY. THE DATA SHALL NOT BE DUPLICATED, USED, OR DISCLOSED IN WHOLE OR IN PART FOR ANY PURPOSE OTHER THAN TO MAINTAIN THE EQUIPMENT PROVIDED. CONSULT WITH VIRGINIA PANEL CORPORATION ENGINEERING IF MORE DETAIL IS REQUIRED.

REVISIONS			
REV	DESCRIPTION	DATE	ENGR
C	ECN #7365	4/5/17	R HERRON



CAVITY FOR KEYING KIT, TYP. 2 PLCS. ACCESSORY P/N 310113461 (2 KEYS PER KIT) NOT INCLUDED WITH ITA



3

4 COILED BAND CLAMP FOR SECURING EMI SHIELD BRAID, NOT SHOWN, IS INCLUDED WITH ASSEMBLY.

3 MAX CABLE BUNDLE EFFECTIVE DIAMETER = 1.00 IN.

2. MATERIALS:
 FRAME & DRIVE KNOB: NI PLATED ZINC
 BACK SHELL: NI PLATED ALUMINUM
 DRIVE SYSTEM: NI PLATED BeCu AND BRONZE
 HARDWARE: STAINLESS STEEL
 INSERTS: PAINTED FR4

1. FOR APPLICATION USE & CARE INFORMATION CONSULT VPC USERS GUIDE @WWW.VPC.COM

NOTES:

RELATIVE CONNECTOR POSITIONS AND WIRE ROUTING ARE GENERIC AND MAY VARY WITH PINOUT			
DIMENSIONS ARE SHOWN AS:	SIZE	CAGE CODE	DWG. NO.
[MILLIMETERS]	C	18117	410130204
INCHES			
SCALE: 1:1	410130204	4/22/15	SHEET 1 OF 1

CUSTOMER DRAWING
VIRGINIA PANEL CORPORATION
 WWW.VPC.COM
i2 MX ITA ASSEMBLY
w/ 2 MICRO/TRPDL INSERTS

4

3

2

1