

PLEASE CHECK WWW.MOLEX.COM FOR LATEST PART INFORMATION

Part Number: [0039032067](#)
Status: **Active**
Overview: [standard_062](#)
Description: 1.57mm (.062") Diameter Standard .062" Pin and Socket Plug Housing, 6 Circuits, Without Mounting Ears

Documents:

[3D Model](#) [Product Specification PS-1625-010 \(PDF\)](#)
[Drawing \(PDF\)](#) [RoHS Certificate of Compliance \(PDF\)](#)

Agency Certification

CSA LR19980
TUV R72081037
UL E29179

General

Product Family Crimp Housings
Series [1625](#)
Comments Polarized to Mating Part
Overview [standard_062](#)
Product Name Standard .062"

Physical

Breakaway No
Circuits (maximum) 6
Circuits Detail 2x3
Color - Resin Natural
Flammability 94V-2
Gender Plug
Glow-Wire Compliant No
Keying to Mating Part None
Lock to Mating Part Yes
Material - Resin Nylon
Number of Rows 3
Packaging Type Bag
Panel Mount No
Pitch - Mating Interface (in) 0.145 In
Pitch - Mating Interface (mm) 3.68 mm
Pitch - Term. Interface (in) 0.145 In
Pitch - Term. Interface (mm) 3.96 mm
Polarized to Mating Part Yes
Stackable No
Temperature Range - Operating -40°C to +105°C

Electrical

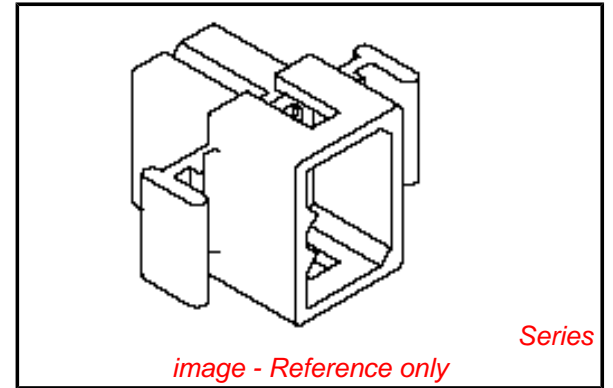
Current - Maximum per Contact 5A

Material Info

Old Part Number 1625-06P1

Reference - Drawing Numbers

Packaging Specification SPK-1625-001
Product Specification PS-1625-010, RPS-1625-001
Sales Drawing SD-1625-06P*



EU RoHS

**ELV and RoHS
Compliant**

REACH SVHC

**Contains SVHC: No
Halogen-Free**

Status

Not Reviewed

**Need more information on product
environmental compliance?**

Email productcompliance@molex.com
For a multiple part number RoHS Certificate of
Compliance, [click here](#)

Please visit the [Contact Us](#) section for any
non-product compliance questions.

China RoHS



Search Parts in this Series

[1625Series](#)

Mates With

[1625](#) Receptacle

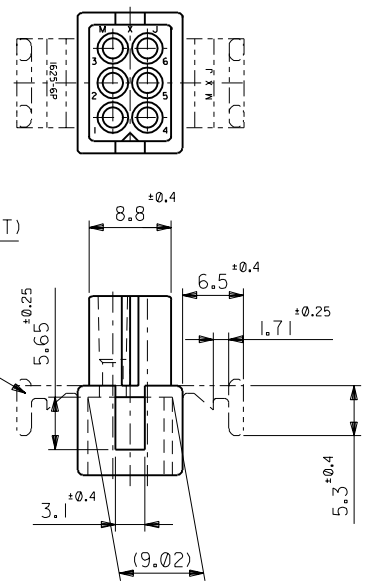
Use With

Female Crimp Terminals [1561](#)[Link:4559](#)
, [4529](#) , [2190](#) , [2189](#) , [1787](#) , [1855](#) . Male
Crimp Terminals [1560](#) , [1786](#) , [1854](#) . [1778](#)
Male PC Tail Terminals. [1779](#) Female PC
Tail Terminals

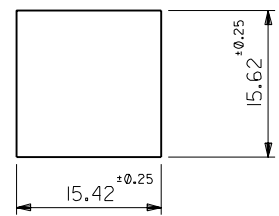
This document was generated on 06/08/2010

PLEASE CHECK WWW.MOLEX.COM FOR LATEST PART INFORMATION

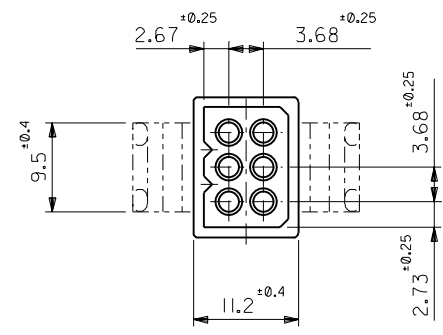
:MM DIMENSIONS IN METRIC DO NOT SCALE DRAWING



パネル取付耳 (表参照)
MTG. EARS(SEE CHART)



パネル取付穴寸法 (厚さ 1.52最大)
PANEL HOLE DIMENSION(THK.1.52 MAX.)



注記
NOTE

1. 材質:ナイロン66, 94V-2
MATERIAL:NYLON66,94V-2
2. () 内寸法は参考値
DIMENSIONS IN () ARE REFERENCES

1625-06P1	39-03-2067	無 WITHOUT
1625-06P	39-03-2066	有 WITH
ENG. NO.	PART NO.	MTG. EARS

材料 MATERIAL	図中参照 REFER TO DRAWING
仕上げ FINISH	—
適用電線範囲 WIRE RANGE	—
被覆外径 INS. RANGE	—
DRAWN BY '96/07/09 H.IIJIMA	CHK'D BY '96/07/09 M.FUKUSHIMA
APP'D BY '96/07/09 M.ENOMOTO	尺 度 SCALE 2 : 1
再作図 REDRAWN	DR. DATE
変更内容 REVISION RECORD	DR. CHK. DATE

MOLEX-JAPAN CO.,LTD. 日本モレックス株式会社	
REVISE ONLY ON CAD SYSTEM	
TITLE 名称	
.062 DIA. 6 CIRCUIT PLUG HOUSING	
DWG. NO.	REV
SD-1625-06P*	G

角度 ANGLE	±3°
30°以上 OVER	+0.3
10°以上 30°未満 UNDER	+0.25
10°未満 UNDER	+0.2
一般公差 GENERAL TOLERANCES	