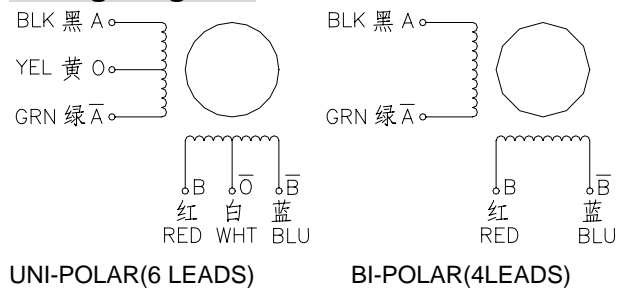
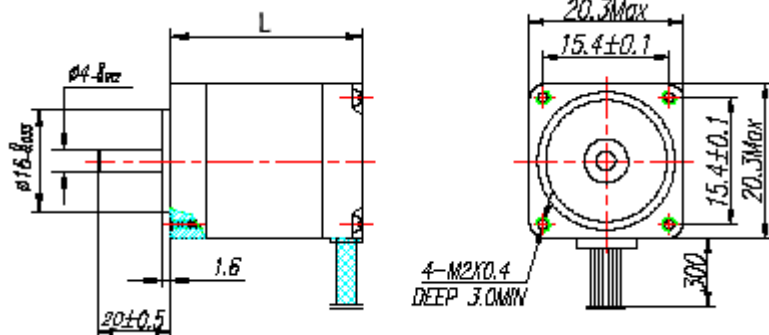


2 Phase Hybrid Stepper Motor 8H2A series-Size 20mm(1.8 degree)


Wiring Diagram:

Electrical Specifications:

Model	Old P/N	Phase Voltage (V)	Phase Current (A)	Phase Resistance (ohm)	Phase Inductance (mH)	Holding Torque (N.cm)	Lead Wires (No.)	Weight (g)	Length (mm)
8H2A26402	8HY26-0204A	3.8	0.2	19	5.5	1.4	4	40	26
8H2A28402	8HY28-0204A	4.4	0.2	22	6.5	1.6	4	50	28
8H2A28406	8HY28-0604A	1.9	0.6	3.2	0.9	1.6	4	50	28
8H2A33402	8HY33-0204A	5.0	0.2	25	8.4	2.0	4	70	33
8H2A33406	8HY33-0604A	2.7	0.6	4.5	1.2	2.0	4	70	33
8H2A40402	8HY40-0204A	6.4	0.2	32	8.8	2.8	4	80	40
8H2A40406	8HY40-0604A	3.5	0.6	5.8	1.6	2.8	4	80	40

*Note: We can manufacture products according to customer's requirements.

Dimensions: unit=mm

Motor Length:

Model	Length
8H2A26XX	26 mm
8H2A28XX	28 mm
8H2A33XX	33 mm
8H2A40XX	40 mm