

1.25mm

(0.049") PITCH CONNECTOR



12516HS-NN

Material

I/NO	DESCRIPTION	MATERIAL
1	HOUSING	P.B.T
2	ACTUATOR	P.B.T
3	TERMINAL	Phosphor Bronze, Tin-plated

**FPC/FFC
Connectors**

Housing

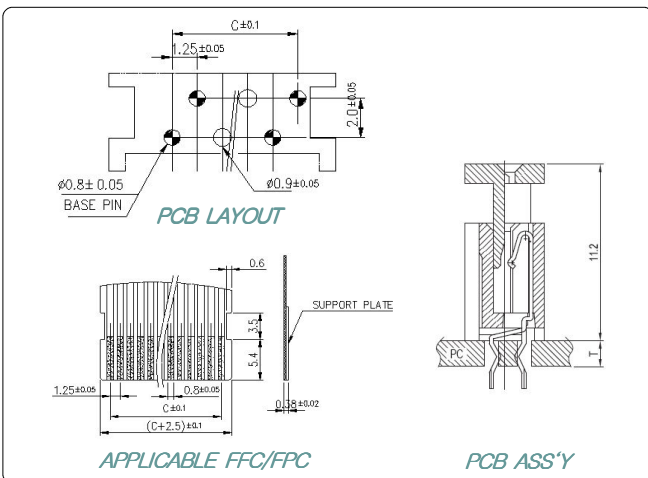
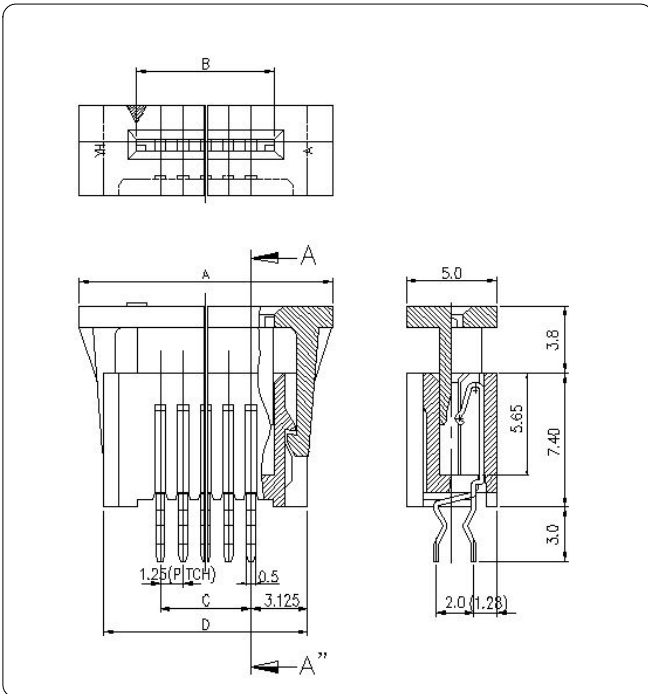
Dip
Type

ZIF
Type

Vertical
Type

Available Pin

PARTS NO.	A	B	C	D
12516HS-04	12.75	6.35	3.75	10.0
12516HS-05	14.00	7.60	5.00	11.25
12516HS-06	15.25	8.85	6.25	12.50
12516HS-07	16.50	10.10	7.50	13.75
12516HS-08	17.75	11.35	8.75	15.00
12516HS-09	19.00	12.60	10.00	16.25
12516HS-10	20.25	13.85	11.25	17.50
12516HS-11	21.50	15.10	12.50	18.75
12516HS-12	22.75	16.35	13.75	20.00
12516HS-13	24.00	17.60	15.00	21.25
12516HS-14	25.25	18.85	16.25	22.50
12516HS-15	26.50	20.10	17.50	23.75
12516HS-16	27.75	21.35	18.75	25.00
12516HS-17	29.00	22.60	20.00	26.25
12516HS-18	30.25	23.85	21.25	27.50
12516HS-19	31.50	25.10	22.50	28.75
12516HS-20	32.75	26.35	23.75	30.00
12516HS-21	34.00	27.60	25.00	31.25
12516HS-22	35.25	28.85	26.25	32.50
12516HS-23	36.50	30.10	27.50	33.75
12516HS-24	37.75	31.35	28.75	35.00
12516HS-25	39.00	32.60	30.00	36.25
12516HS-26	40.25	33.85	31.25	37.50
12516HS-27	41.50	35.10	32.50	38.75
12516HS-28	42.75	36.35	33.75	40.00
12516HS-29	44.00	37.60	35.00	41.25
12516HS-30	45.25	38.85	36.25	42.50



Specification

ITEM	SPEC
Voltage Rating	AC/DC 250V
Current Rating	AC/DC 1A
Operating Temperature	-25°C ~ +85°C
Contact Resistance	30mΩ MAX
Withstanding Voltage	AC250V/1min
Insulation Resistance	500MΩ MIN
Applicable Wire	-
Applicable P.C.B	1.2 ~ 1.6mm
Applicable FPC/FFC	0.30±0.03mm
Solder Height	0.15mm
Crimp Tensile Strength	-
UL FILE NO	-