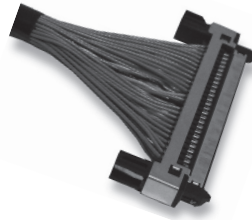


Series HF507P Non-ZIF Adapter Plug for Discrete Wire HF507S Series

Specifications

Insulation Resistance: 500MΩ min. at 125V DC
 Contact Resistance: 50mΩ
 Withstanding Voltage: 125V AC for 1 minute
 Voltage Rating: 50V ACrms
 Current Rating: 0.3A
 Operating Temp. Range: -20°C to +85°C
 Insertion / Extraction: 10 times



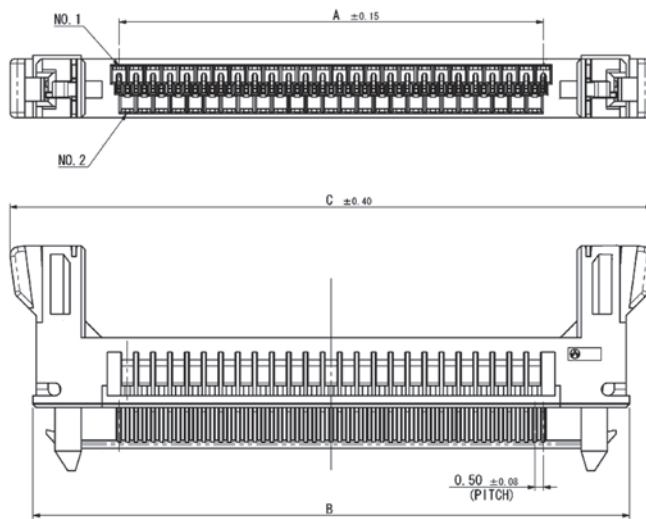
Materials and Finish

Housing: LCP (GF), black
 Lock Hold: SUS t = 0.2mm
 Contacts: Phosphor Bronze, (t = 0.15mm) Ni-Au plating
 Terminal: Phosphor Bronze, (t = 0.15mm) Ni-Au plating

Features

- Standard crimp tool can be used
- Applicable wire AWG30/36 Standard
- Easy operation by side-locking mechanism prevents cable angular insertion and guarantees secure locking

Outline Dimensions



Part Number (Details)

HF507P - ** - 01 *

Series No.

No. of Contacts
(41 and 51)

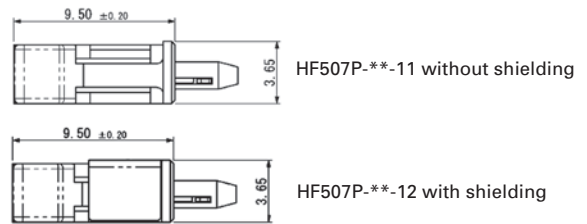
5 = Without Shielding
6 = With Shielding

Part Number Contacts (Details)

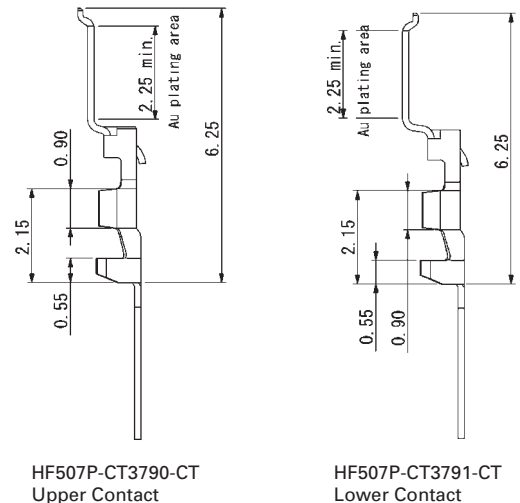
HF507P - CT379* -CT

0 = Upper Contact
1 = Lower Contact

Note: Both contacts have to be ordered separately



Contact Details



Part Number	Pin Count	A	B	C
HF507P-41-0*	41	20.00	30.15	32.85
HF507P-51-0*	51	25.00	35.15	37.85

Non-ZIF Connectors for High Speed Cable

Specifications

- Insulation Resistance: 100MΩ min.
- Contact Resistance: 100mΩ max.
- Withstanding Voltage: 125V ACrms for 1 minute
- Voltage Rating: 50V ACrms
- Current Rating: 0.3A
- Operating Temp. Range: -20°C to +85°C
- Differential Impedance: 100 Ω
- Insertion / Extraction: 30 times max.



Materials and Finish

- Housing: LCP (GF), black
- Lock Hold: SUS t = 0.2mm
- Contacts: Phosphor Bronze, (t = 0.15mm) Ni-Au plating
- Terminal: Phosphor Bronze, (t = 0.15mm) Ni-Au plating

Features

- Suitable for LVDS, HDMI, DVI, PCI express and S-ATA data transmission
- Easy operation by side-locking mechanism prevents cable angular insertion and guarantees secure locking

Part Number (Details)

HF507S - 21 - **

Series No.

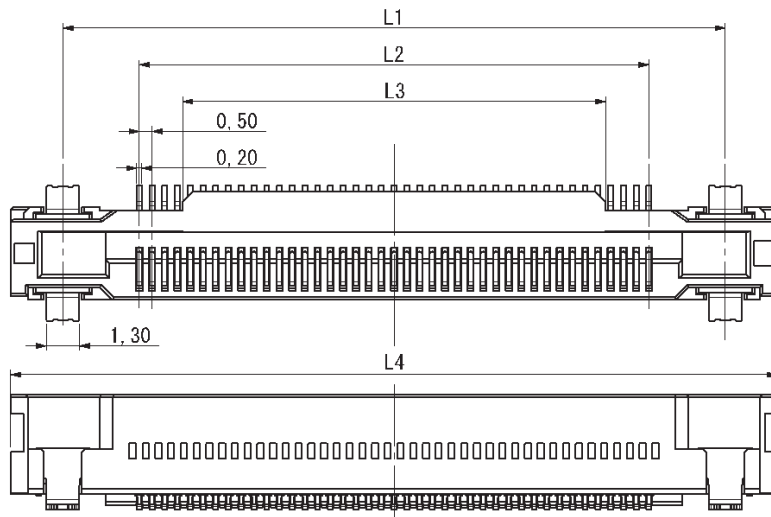
No. of Contacts
(21, 31, 41 and 51)

02 = 180° Without Shielding
04 = 180° With Shielding*

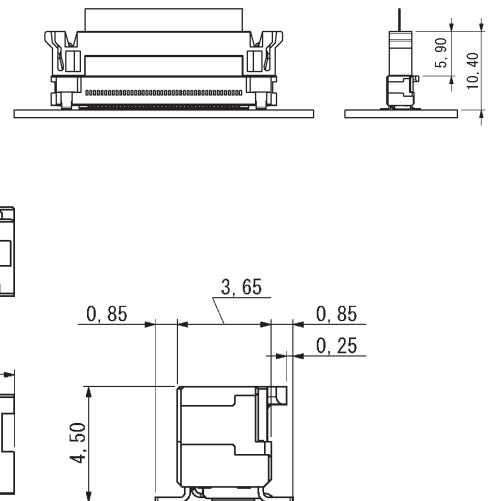
*180° with shielding not available for 21 pin version

Applicable Cable
see page C-5 to C-7

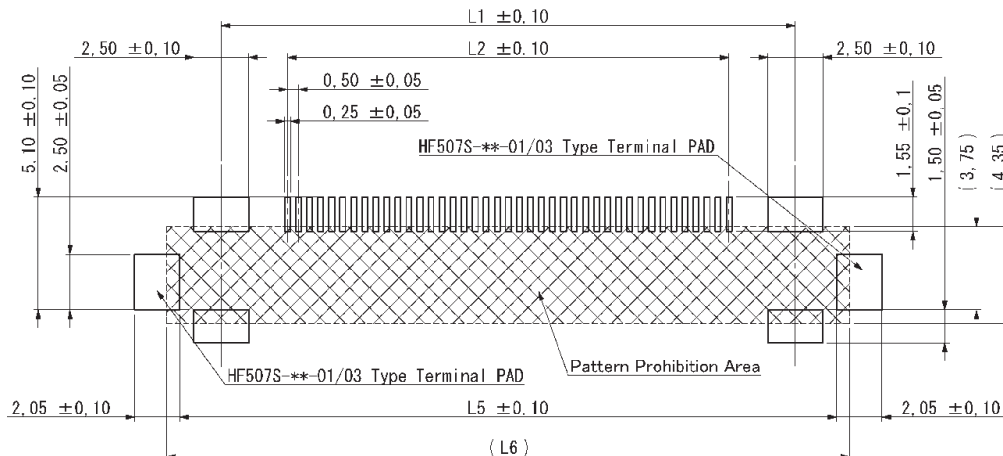
Outline Dimensions for 180° Socket



Orientation for 180° Socket



Recommended PCB Layout



Part Number	Pin Count	L1	L2	L3	L4	L5	L6
HF507S-21-0*	21	16.00	10.00	6.60	20.10	19.75	20.95
HF507S-31-0*	31	21.00	15.00	11.60	25.10	24.75	25.95
HF507S-41-0*	41	26.00	20.00	16.60	30.10	29.75	30.95
HF507S-51-0*	51	31.00	25.00	21.60	35.10	34.75	35.95

Series HF507S Non-ZIF 90° Socket for High Speed Applications

Specifications

Insulation Resistance: 100MΩ min.
 Contact Resistance: 100mΩ max.
 Withstanding Voltage: 125V ACrms for 1 minute
 Voltage Rating: 50V ACrms
 Current Rating: 0.3A
 Operating Temp. Range: -20°C to +85°C
 Differential Impedance: 100 Ω
 Insertion / Extraction: 30 times max.



Materials and Finish

Housing: LCP (GF), black
 Lock Hold: SUS t = 0.2mm
 Contacts: Phosphor Bronze, (t = 0.15mm) Ni-Au plating
 Terminal: Phosphor Bronze, (t = 0.15mm) Ni-Au plating

Features

- Suitable for LVDS, HDMI, DVI, PCI express and S-ATA data transmission
- Easy operation by side-locking mechanism prevents cable angular insertion and guarantees secure locking

Part Number (Details)

HF507S - 41 - **

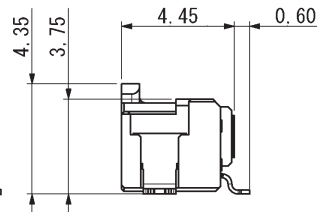
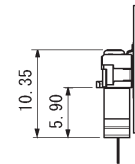
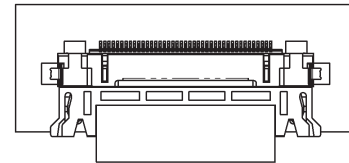
Series No.

No. of Contacts
(21, 31, 41 and 51)

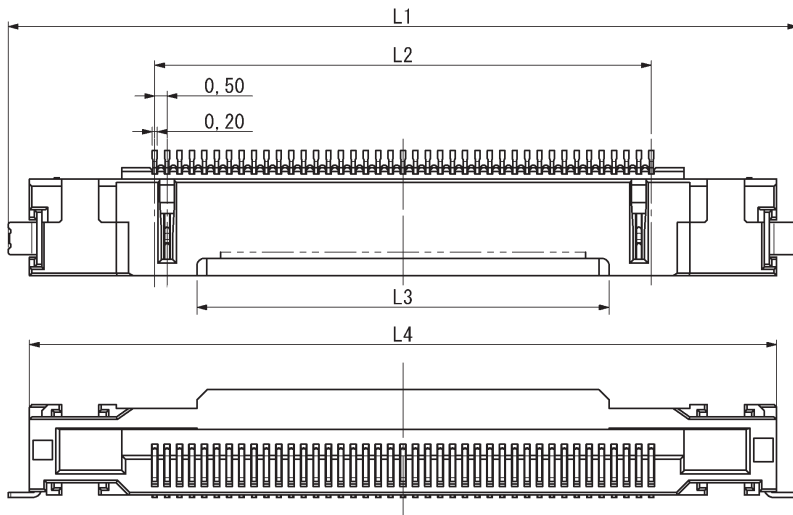
01 = 90° Without Shielding
 03 = 90° With Shielding

Applicable Cable
see page C-5 to C-7

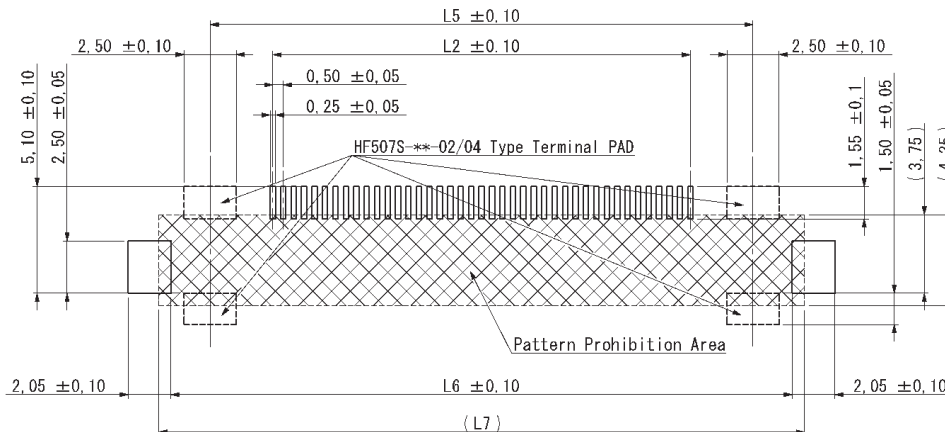
Orientation for 90° Socket



Outline Dimensions for 90° Socket



Recommended PCB Layout



Part Number	Pin Count	L1	L2	L3	L4	L5	L6	L7
HF507S-21-0*	21	16.00	10.00	6.60	20.10	16.00	19.75	20.95
HF507S-31-0*	31	21.00	15.00	11.60	25.10	21.00	24.75	25.95
HF507S-41-0*	41	26.00	20.00	16.60	30.10	26.00	29.75	30.95
HF507S-51-0*	51	31.00	25.00	21.60	35.10	31.00	34.75	35.95