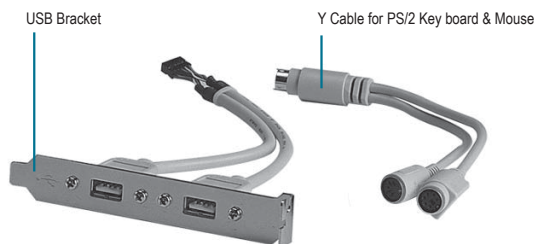
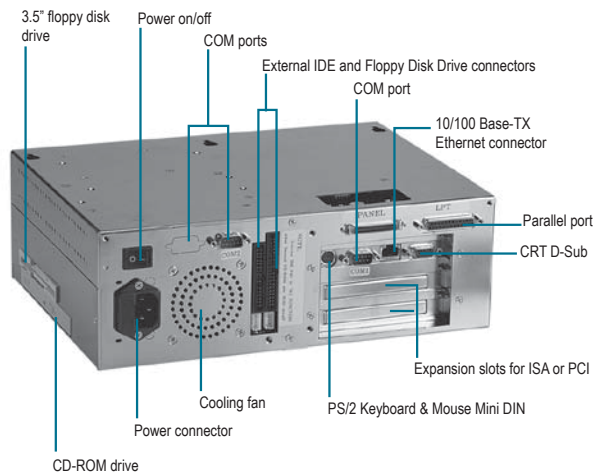


APC-7102 (AMB-2003)

Industrial Computing Platform Partner

Intel[®] Pentium[®] III and Celeron[®] Processor-based Industrial Robust Panel PC with 10.4" TFT LCD & 2 Expansion Slots



Features

- 10.4" TFT VGA (640 x 480) LCD
- Socket 370-based Intel[®] Pentium[®] III and Celeron[®] Processors Up To 850MHz
- System Memory up to 256MB SDRAM
- Disk Drive Bay For CD-ROM, Floppy Disk Drive and Hard Disk Drive
- Two Free Expansion Slots For ISA Or PCI



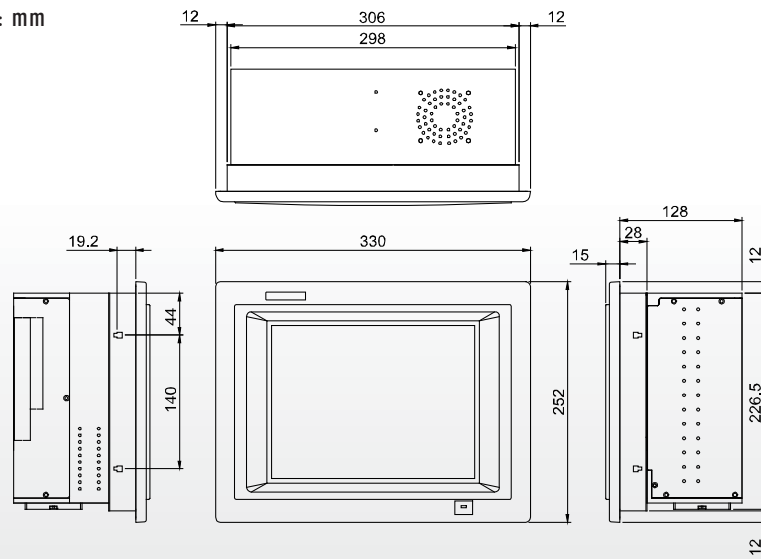
Specifications

System	
Processor	Socket 370-based Intel [®] Pentium [®] III and Celeron [®] processor up to 850MHz with FSB 66/100MHz
Memory	Supports up to 256MB SDRAM
LCD/CRT Controller	C&T 69000 controller with 2MB SDRAM. CRT & LCD panel support
Ethernet	Intel [®] 82559ER, 10/100 Base-TX RJ-45 connector x 1
I/O Port	2 serial ports : 1 x RS-232, 1 x RS-232/422/485 (COM 2 is reserved for TouchScreen) 1 parallel port (supports ECP/EPP) 1 PS/2 mouse and keyboard port
Storage Disk Drive	3.5" Hard Disk Drive or 2.5" Hard Disk Drive, Slim Floppy Disk Drive and Slim CD-ROM (Both types of housings cannot be used at the same time)
USB Connector	Pin header for Dual USB with USB bracket cable
Expansion Slot	2 x PCI or 1 x ISA and 1 x PCI slot
Power Supply	Universal 70W switching power supply
OS Support	MS DOS, Windows [®] 98SE, Windows [®] 2000, Windows [®] XP* (TouchScreen model does not support Windows XP.)
Mechanical	
Construction	Heavy-duty steel chassis & plastic front panel
Front Panel Color	PMC cool gray 4C
Mounting	Panelmount Optional : Rotatable mounting mechanism
Dimension	13" (W) x 9.9" (H) x 5.6" (D) (330mm x 252mm x 143mm)
Carton Dimension	18.6" (W) x 16.3" (H) x 14.2" (D) (471mm x 413mm x 360mm)
Gross Weight	24.3 lb (11Kg)
Environmental	
Operating Temperature	32°F~113°F (0°C to 45°C)
Storage Temperature	-4°F~140°F (-20°C to 60°C)
Operating Humidity	10% to 90% @35°C, non-condensing
Vibration	Random non-operation 2G, 5~500Hz
Shock	15G peak non-acceleration (11 msec. duration)
EMC	CE/FCC Class A

Dimension

Unit: mm

Cut Size: 309 x 231 mm



Power Supply	
AC Input 70W (standard)	Input: 85V AC ~ 270V AC @ 47 ~ 63Hz Output: +5V@10A, +12V@1.5A, -12V@0.3A
24V DC Input 72W	Input: 10V DC ~ 30V DC @ 13A max Output: +5V@10A, +12V@1.5A, -12V@0.3A
LCD	
Display Type	10.4" color TFT LCD
Max. Resolution	640 x 480
Max. Colors	256K
Dot Size	0.33mm x 0.33mm
Luminance	250 cd/m ² (TYP.)
Viewing Angle	80°(H) / 45°(V)
Back Light MTBF	30,000 hrs
TouchScreen (optional)	
Type	8-wire, Analog Resistive
Resolution	1024 x 1024
Light Transmission	76% ± 2
Lifetime	1 million activations
OS Support	MS DOS, Windows® 98SE, Windows® 2000

Ordering Information

- **AMB-2003HT-D1**
Panel PC with 10.4" TFT, Socket 370 SBC, AC Power Supply
- **AMB-2003HT-D2**
Panel PC with 10.4" TFT, Socket 370 SBC, AC Power Supply, Floppy Disk Drive, CD-ROM
- **AMB-2003HT-D3**
Panel PC with 10.4" TFT, Socket 370 SBC, 24V DC Power Supply
- **AMB-2003HT-D4**
Panel PC with 10.4" TFT, Socket 370 SBC, 24V DC Power Supply, Floppy Disk Drive, CD-ROM
- **AMB-2003HTT-D1**
AMB-2003HT-D1 with Resistive TouchScreen
- **AMB-2003HTT-D2**
AMB-2003HT-D2 with Resistive TouchScreen
- **AMB-2003HTT-D3**
AMB-2003HT-D3 with Resistive TouchScreen
- **AMB-2003HTT-D4**
AMB-2003HT-D4 with Resistive TouchScreen

Optional Accessories

- **ARM-MK10-0**
Rotatable Mounting Mechanism for APC-7102 & APC-7100 series
- **3.5" or 2.5" Hard Disk Drive**

01

Medical Station Solutions - ONYX Series

02

Medical Display Solutions - ONYX Series

03

Operator Panel Solutions - OMNI Series

04

Robust Panel PC Solutions

05

Embedded Controller - Boxer S Series

06

Embedded Controller - BOXER Series

07

Industrial Monitor Solutions

08

Sun-readable & Vehicle LCD Monitors

09

Industrial Workstation Solutions

10

Common Accessories