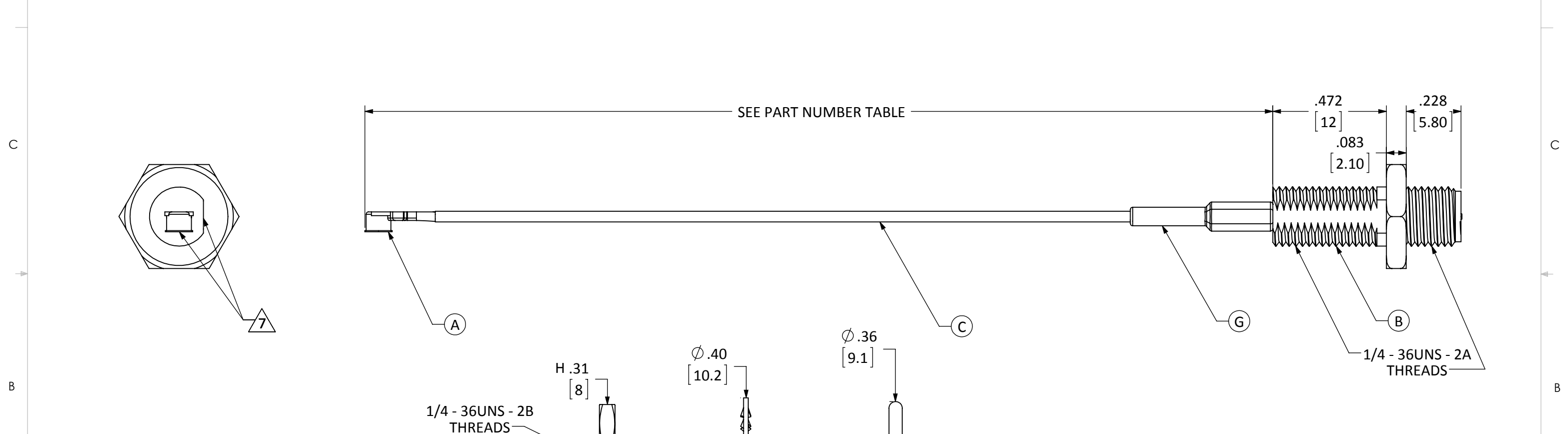


| ITEM | DESCRIPTION | MATERIAL | FINISH |
|------|---|----------------|--------|
| A | U.FL PLUG | BRASS | GOLD |
| B | SEALED RP-SMA FEM. BULKHEAD MOUNT CONNECTOR | BRASS | NICKEL |
| C | CABLE | 1.13mm COAXIAL | GRAY |
| D | NUT | BRASS | NICKEL |
| E | WASHER | BRASS | NICKEL |
| F | O-RING | Si RUBBER | BLACK |
| G | HEAT SHRINK TUBING | POLYOLEFIN | BLACK |

| REVISIONS | | | |
|-----------|---|-----------|------|
| REV | DESCRIPTION | DATE | APPV |
| A | INITIAL RELEASE OF LINX INTERNAL DRAWING | 15-APR-14 | SAH |
| B | UPDATED NOTE 3; ADDED NOTE 5; ADDED FLAG NOTE 7 AND VIEW TO ILLUSTRATE CONNECTOR ORIENTATION; ADDED DIMENSIONS; UPDATED DESCRIPTION TABLE | 1-SEP-15 | SAH |
| C | UPDATED TO ADD DIMENSIONS TO NUT, WASHER AND O-RING | 13-JUL-16 | SAH |



- NOTES: (UNLESS OTHERWISE SPECIFIED)
- ALL DIMENSIONS ARE IN INCHES [mm].
 - DIMENSIONS APPLY AFTER FINISHING.
 - MANUFACTURE TO BE COMPLIANT WITH EU RoHS DIRECTIVE, USE MATERIALS THAT DO NOT CONTAIN REACH SUBSTANCES OF VERY HIGH CONCERN >1000ppm, AND USE DRC CONFLICT-FREE SOURCED MATERIALS.
 - MINIMUM FREQUENCY RANGE: DC TO 3GHz.
 - CABLE ASSEMBLY SPECIFICATIONS;
 - CHARACTERISITIC IMPEDANCE: $50\Omega \pm 3\Omega$
 - INSERTION LOSS: 100mm - 0.34vf IN GHz TYP.
 - 200mm - 0.56vf IN GHz TYP.
 - 300mm - 0.73vf IN GHz TYP.
 - CONNECTOR TO BE APPLIED IN ACCORDANCE WITH CONNECTOR SUPPLIER RECOMMENDED PROCEDURE.
 - CONNECTORS TO BE ORIENTED WITH U.FL CONNECTOR MATING FACE 90° CLOCKWISE FROM BULKHEAD CONNECTOR THREAD FLAT FACE, AS SHOWN.

| PART NUMBER | CABLE LENGTH |
|-------------------|--------------|
| CSI-RSFE-100-UFFR | 100mm |
| CSI-RSFE-200-UFFR | 200mm |
| CSI-RSFE-300-UFFR | 300mm |

WARNING: THIS DRAWING CONTAINS PROPRIETARY INFORMATION THAT IS THE SOLE PROPERTY OF LINX TECHNOLOGIES, AND SHALL BE TREATED AS SUCH. NO DISCLOSURE OR REPRODUCTION OF THIS DOCUMENT IS PERMITTED, IN WHOLE OR IN PART, WITHOUT THE EXPRESS WRITTEN PERMISSION OF LINX TECHNOLOGIES OR ITS DESIGNATED AGENTS.

Linx 159 ORT LANE
MERLIN, OR 97532

TITLE: **CABLE ASSEMBLY, U.FL TO FEM. BLKHD RP-SMA, 1.13mm CBL**

MATERIAL: INTERPRET DIMENSIONS AND TOLERANCES PER ASME Y14.5. PROJECTION:

FINISH: SURFACE FINISH: $\sqrt{}$ ANGLES: $\pm 1^\circ$ TOLERANCES: .X $\pm .1$.XX $\pm .01$.XXX $\pm .005$

DRAWN: B.MURPHY DT: 26-MAR-14
ENGR: S.HOGAN DT: 15-APR-14

SIZE DWG. NO. REV
B CSI-RSFE-ccc-UFFR **C**

SCALE: 2.5:1 DO NOT SCALE DRAWING SHEET 1 OF 1