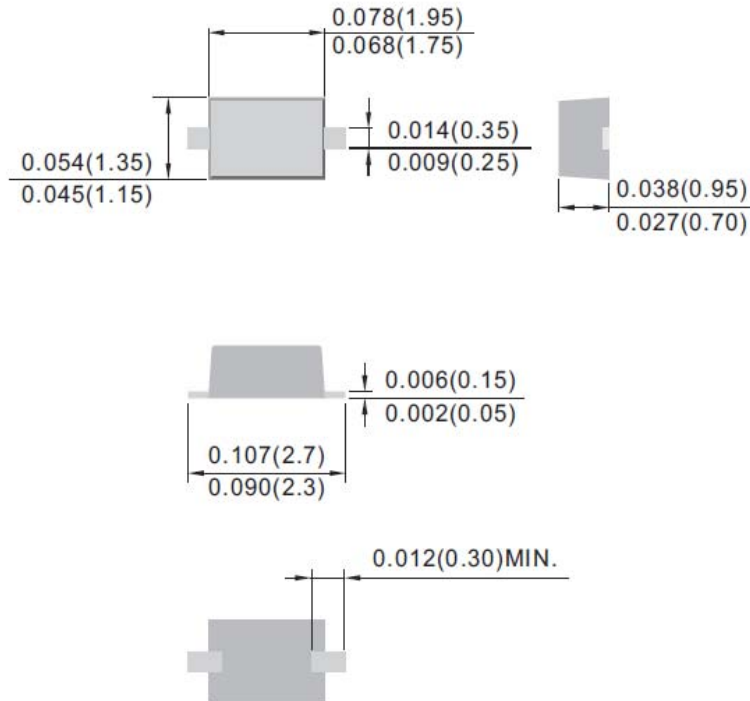


Packaging Information / Reference Pattern Layout Dimensions

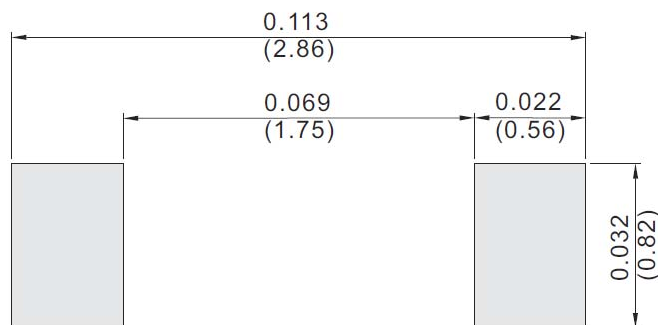
● SOD-323P

Unit: inch (mm)



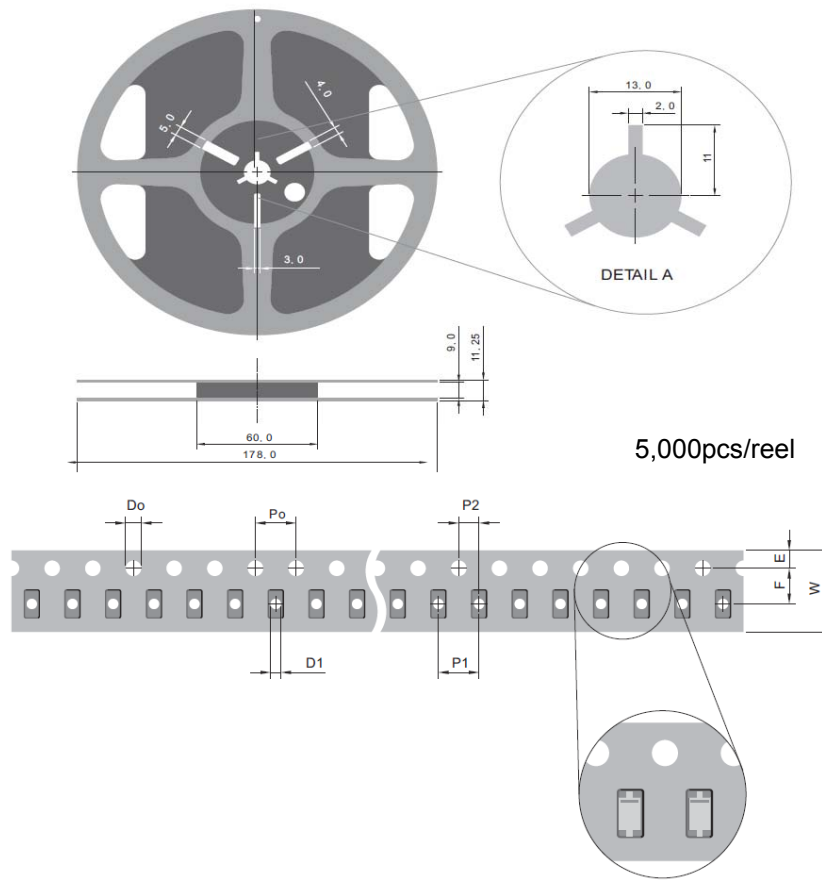
● Reference Pattern Layout

Unit: inch (mm)



Taping Specifications

●SOD-323P



SYMBOL	mm
D0	1.55 ± 0.10
D1	1.00 ± 0.25
E	1.75 ± 0.10
F	3.50 ± 0.05
P0	4.00 ± 0.10
P1	4.00 ± 0.10
P2	2.00 ± 0.05
W	8.00 + 0.30 - 0.15