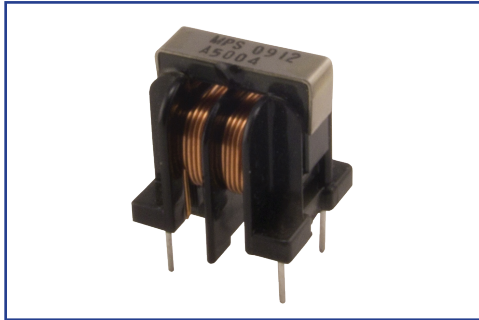


COMMON MODE CHOKE



P52U105 SERIES



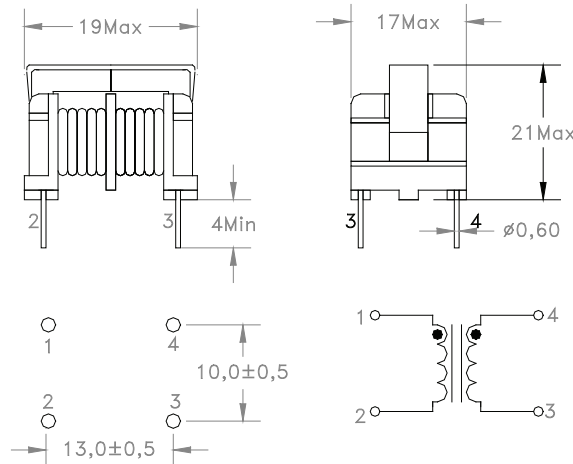
- AC line filter common mode choke
- Dielectric withstanding voltage: 3750 Vrms (between windings)
- Operating temperature range: -40°C to +85°C
- Custom design available upon request
- RoHS compliant product

ELECTRICAL PARAMETERS @ 25°C

| Part Number | Inductance (mH Min) | Rated Irms (A) | DCR (Ω MAX) |
|-----------------|---------------------|----------------|-------------|
| P52U105- | | | |
| 601-2.8 | 0.6 | 2.80 | 0.05 |
| 102-2.4 | 1.0 | 2.40 | 0.05 |
| 202-1.8 | 2.0 | 1.80 | 0.11 |
| 502-1.1 | 5.0 | 1.10 | 0.28 |
| 802-0.9 | 8.0 | 0.90 | 0.44 |
| 103-0.8 | 10 | 0.80 | 0.50 |
| 203-0.6 | 20 | 0.60 | 1.11 |
| 303-0.5 | 30 | 0.50 | 1.73 |
| 453-0.4 | 45 | 0.40 | 2.68 |

- Note:
1. Inductance measured: 1KHz, 0.1Vrms
 2. Polarity: 1 and 4 are in phase
 3. Turns Ratio: 1:1 (1-2 to 4-3)
 4. ΔT of 35°C Temperature Rise at rated current

DIMENSIONS (mm)



Dimensions
 Unless otherwise specified, all tolerances are:
 inch: .XX : ±0.008 .XXX : ±0.004
 mm: X.X : ±0.20 X.XX : ±0.10

Product performance is limited to specified parameters. Data is subject to change without prior notice.

Tel: 310-325-1043
 Fax: 310-325-1044

www.mpsind.com
 sales@mpsind.com