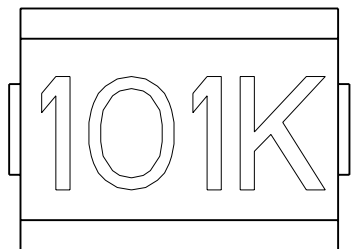
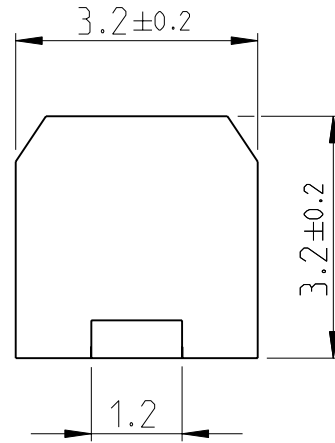
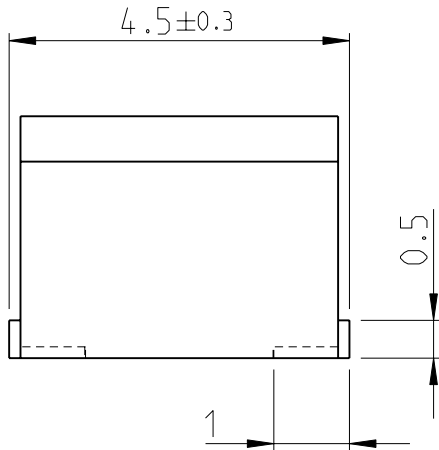
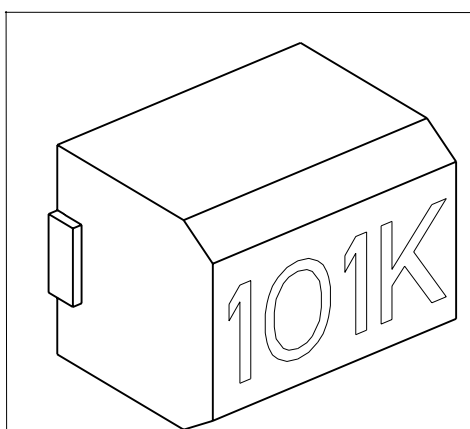


LOC	DIST	REVISIONS			
P	LTR	DESCRIPTION	DATE	DWN	APVD
E	B	BB1	REVISED PER ECO-11-005150	29MAR2011	RK HMR

1. FOR FURTHER INFORMATION SEE DATA SHEET FOR 3613C SERIES-MOULDED CHIP INDUCTOR 18:12
2. FROM SEPTEMBER 2010 MARKING CHANGED TO LASER CARVED BLACK FROM WHITE INK TO IMPROVE EFFICIENCY AND PRODUCTION TIME.



RoHS Compliant



2008
 RELEASED FOR PUBLICATION
 ALL RIGHTS RESERVED.
 BY -
 COPYRIGHT 2008
 THIS DRAWING IS UNPUBLISHED.

DIMENSIONS: mm TOLERANCES UNLESS OTHERWISE SPECIFIED: 0 PLC ±0.2 1 PLC ±0.1 2 PLC ±- 3 PLC ±- 4 PLC ±- ANGLES ±5°	DWN SUBHASH.M 13-NOV-08 CHK PRAKASH.S 13-NOV-08 APVD STEPHEN.P 13-NOV-08 PRODUCT SPEC - APPLICATION SPEC - WEIGHT -	MATERIAL - FINISH - NAME MOULDED CHIP INDUCTOR 18:12 SERIES 3613C	SIZE A 4 CAGE CODE 00779 DRAWING NO ©= 1624094 RESTRICTED TO -
	CUSTOMER DRAWING		SCALE 10:1 SHEET 1 OF 1 REV BB1