

**PLEASE CHECK WWW.MOLEX.COM FOR LATEST PART INFORMATION**

**Part Number:** [0015474156](#)  
**Status:** **Active**  
**Overview:** [cgrid\\_sl\\_products](#)  
**Description:** 2.54mm (.100") C-Grid SL™ Single Row, Female, Version D Receptacle, 15 Circuits

**Documents:**

[3D Model](#) [Product Specification PS-70430 \(PDF\)](#)  
[Drawing \(PDF\)](#) [RoHS Certificate of Compliance \(PDF\)](#)

**Agency Certification**

CSA LR19880  
 UL E29179

**General**

Product Family FFC/FPC Connectors  
 Series [70430](#)  
 Comments Stackable Back-to-Back  
 Overview [cgrid\\_sl\\_products](#)  
 Product Name SL™

**Physical**

Circuits (Loaded) 15  
 Color - Resin Black  
 Contact Position N/A  
 Durability (mating cycles max) 50  
 Entry Angle Vertical  
 Flammability 94V-0  
 Material - Metal Phosphor Bronze  
 Material - Plating Mating Gold  
 Material - Plating Termination Tin  
 Material - Resin Polyester Alloy  
 Number of Rows 1  
 Orientation Vertical  
 PCB Retention None  
 Packaging Type Tube  
 Pitch - Mating Interface (in) 0.100 In  
 Pitch - Mating Interface (mm) 2.54 mm  
 Plating min: Mating (µin) 30  
 Plating min: Mating (µm) 0.75  
 Plating min: Termination (µin) 75  
 Plating min: Termination (µm) 1.875  
 Polarized to PCB No  
 Stackable Yes  
 Temperature Range - Operating -40°C to +105°C  
 Termination Interface: Style IDT or Pierce  
 Wire/Cable Type FFC/FPC

**Electrical**

Current - Maximum per Contact 1A, 2A  
 Voltage - Maximum 250V

**Material Info**

**Reference - Drawing Numbers**

Product Specification PS-70430  
 Sales Drawing SDA-70430-0421-0444

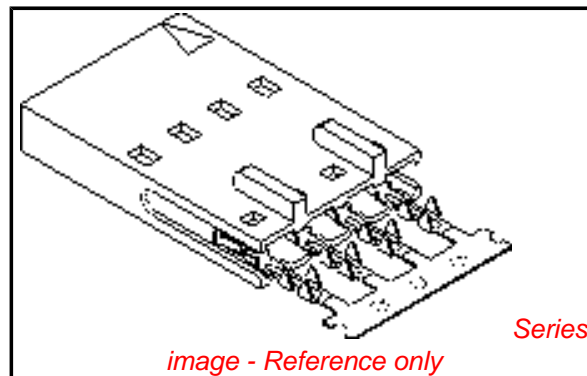


image - Reference only

**EU RoHS**

**ELV and RoHS  
 Compliant**  
**REACH SVHC  
 Not Reviewed**  
**Halogen-Free  
 Status  
 Not Reviewed**

**China RoHS**



**Need more information on product environmental compliance?**

Email [productcompliance@molex.com](mailto:productcompliance@molex.com)  
 For a multiple part number RoHS Certificate of Compliance, [click here](#)

Please visit the [Contact Us](#) section for any non-product compliance questions.

**Search Parts in this Series**

[70430Series](#)

**Mates With**

[70004 Interim Clip](#), [70013 Interim Clip](#)

**Application Tooling | FAQ**

*Tooling specifications and manuals are found by selecting the products below. Crimp Height Specifications are then contained in the Application Tooling Specification document.*

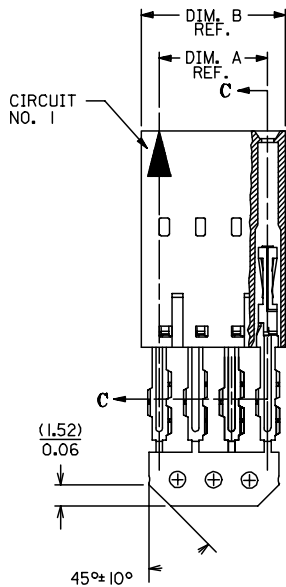
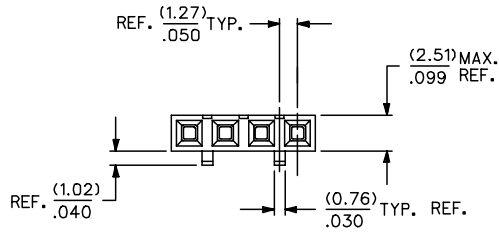
**Global**

| Description           | Product #                  |
|-----------------------|----------------------------|
| Tool Kit for Standard | <a href="#">0622007400</a> |
| Manual Press FFC      |                            |
| Standard Manual       | <a href="#">0622007800</a> |
| Press for FFC         |                            |

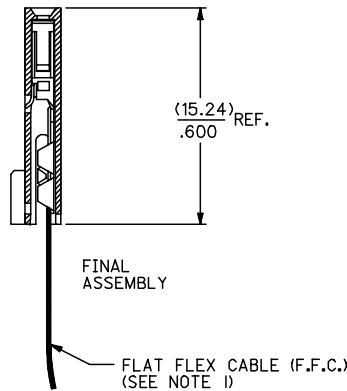
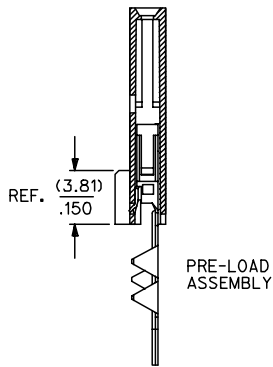
This document was generated on 05/18/2010

**PLEASE CHECK [WWW.MOLEX.COM](http://WWW.MOLEX.COM) FOR LATEST PART INFORMATION**

"D" - OPTION



SECTION C-C



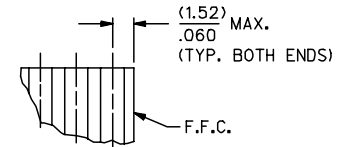
NOTES:

- 1) PRE LOADED ASSEMBLY TO BE USED WITH (0.30)/.012 MAX. THICK FLAT FLEX CABLE WITH (1.57)/.062 WIDE COPPER CONDUCTORS ON (2.54)/.100 CENTERS OR, (0.13)/.005 - (0.28)/.011 THICK MYLAR WITH (1.02)/.040 - (1.65)/.065 WIDE SILVER INK CONDUCTORS ON (2.54)/.100 CENTERS.
- 2) STANDARD PACKING PER PK70873-0001 SHALL BE USED.
- 3) SEE CHART FOR CIRCUIT SIZES, 'A' AND 'B' DIMENSIONS.
- 4) TWO (2) CIRCUIT ASSEMBLIES SUPPLIED AS GROUPED PAIRS.
- 5) PARTS STACKABLE SIDE TO SIDE ON (2.54)/.100 CENTERS.
- 6) PART MATES WITH (0.64)/.025 SQ. PINS, (8.13)/.320 TO (5.08)/.200 LONG ON (2.54)/.100 CENTERS.
- 7) SEE DETAIL 1 FOR MAXIMUM END DIMENSION OF F.F. CABLE. (RECOMMENDED WHEN USED WITH INTERIM CLIPS)
- 8) PARTS CONFORM TO CLASS B OF COSMETIC SPECIFICATION PS-45499-002.

HOUSING MATERIAL: GLASS FILLED POLYESTER, UL 94V-0.  
 TERMINAL MATERIAL: PHOSPHOR BRONZE.  
 PLATING: 30 GOLD - .000030 MINIMUM  
 .000075 MINIMUM  
 .000050 MINIMUM

GOLD PLATE IN SELECT AREA,  
 TIN PLATE IN SELECT AREA,  
 NICKEL PLATE OVERALL.

| CONTACT PLATING | COLOR CODE |
|-----------------|------------|
| TIN             | NONE       |
| 15 GOLD         | YELLOW     |
| 30 GOLD         | RED        |



DETAIL - 1  
(SEE NOTE 7)

| CKT. SIZE | EDP. NO.    | ENG. NO.   | A                | B                |
|-----------|-------------|------------|------------------|------------------|
| 2         | 015-47-4026 | 70430-0421 | (2.54)<br>.100   | (5.05)<br>.199   |
| 3         | 015-47-4036 | 70430-0422 | (5.08)<br>.200   | (7.59)<br>.299   |
| 4         | 015-47-4046 | 70430-0423 | (7.62)<br>.300   | (10.13)<br>.399  |
| 5         | 015-47-4056 | 70430-0424 | (10.16)<br>.400  | (12.67)<br>.499  |
| 6         | 015-47-4066 | 70430-0425 | (12.70)<br>.500  | (15.21)<br>.599  |
| 7         | 015-47-4076 | 70430-0426 | (15.24)<br>.600  | (17.75)<br>.699  |
| 8         | 015-47-4086 | 70430-0427 | (17.78)<br>.700  | (20.29)<br>.799  |
| 9         | 015-47-4096 | 70430-0428 | (20.32)<br>.800  | (22.83)<br>.899  |
| 10        | 015-47-4106 | 70430-0429 | (22.86)<br>.900  | (25.37)<br>.999  |
| 11        | 015-47-4116 | 70430-0430 | (25.40)<br>1.000 | (27.91)<br>1.099 |
| 12        | 015-47-4126 | 70430-0431 | (27.94)<br>1.100 | (30.45)<br>1.199 |
| 13        | 015-47-4136 | 70430-0432 | (30.48)<br>1.200 | (32.99)<br>1.299 |
| 14        | 015-47-4146 | 70430-0433 | (33.02)<br>1.300 | (35.53)<br>1.399 |
| 15        | 015-47-4156 | 70430-0434 | (35.56)<br>1.400 | (38.07)<br>1.499 |
| 16        | 015-47-4166 | 70430-0435 | (38.10)<br>1.500 | (40.61)<br>1.599 |
| 17        | 015-47-4176 | 70430-0436 | (40.64)<br>1.600 | (43.15)<br>1.699 |
| 18        | 015-47-4186 | 70430-0437 | (43.18)<br>1.700 | (45.69)<br>1.799 |
| 19        | 015-47-4196 | 70430-0438 | (45.72)<br>1.800 | (48.23)<br>1.899 |
| 20        | 015-47-4206 | 70430-0439 | (48.26)<br>1.900 | (50.77)<br>1.999 |
| 21        | 015-47-4216 | 70430-0440 | (50.80)<br>2.000 | (53.31)<br>2.099 |
| 22        | 015-47-4226 | 70430-0441 | (53.34)<br>2.100 | (55.85)<br>2.199 |
| 23        | 015-47-4236 | 70430-0442 | (55.88)<br>2.200 | (58.39)<br>2.299 |
| 24        | 015-47-4246 | 70430-0443 | (58.42)<br>2.300 | (60.93)<br>2.399 |
| 25        | 015-47-4256 | 70430-0444 | (60.96)<br>2.400 | (63.47)<br>2.499 |

|   |                               |  |  |  |   |              |                      |                        |  |
|---|-------------------------------|--|--|--|---|--------------|----------------------|------------------------|--|
| ADD TOLERANCE<br>FC NO. UCP2007-2849<br>DRAWN: JORGAN 2007/05/18<br>CHKD: MS BARRA 2007/05/21<br>APPR: SMILLER 2007/05/21     | QUALITY SYMBOLS<br>▽=0<br>▽=0 | GENERAL TOLERANCES (UNLESS SPECIFIED)  |  | DIMENSION STYLE<br>MM/IN                                       |   | SCALE<br>4:1 | DESIGN UNITS<br>INCH | THIRD ANGLE PROJECTION |  |
|   |                               | 4 PLACES ± --- ± ---<br>3 PLACES ± --- ± .010<br>2 PLACES ± 0.25 ± .015<br>1 PLACE ± 0.38 ± ---<br>ANGULAR ±1/2° | DRAWN BY<br>RAS<br>CHECKED BY<br>MJM<br>APPROVED BY<br>WAZ | DATE<br>1986/07/21<br>DATE<br>1986/07/21<br>DATE<br>1986/07/21 | TITLE<br>ASSEMBLY, CONNECTOR FFC FEMALE SINGLE ROW (2.54)/.100 GRID |              |                      | MOLEX INCORPORATED     |  |
| DRAFT WHERE APPLICABLE MUST REMAIN WITHIN DIMENSIONS  |                               | SEE TABLE  |  | MATERIAL NO.<br>SDA-70430-0421-0444                            |   | DOCUMENT NO. |                      | SHEET NO.<br>1 OF 1    |  |
| THIS DRAWING CONTAINS INFORMATION THAT IS PROPRIETARY TO MOLEX INCORPORATED AND SHOULD NOT BE USED WITHOUT WRITTEN PERMISSION |                               |  |  |  |   |              |                      |                        |  |