

NOTES

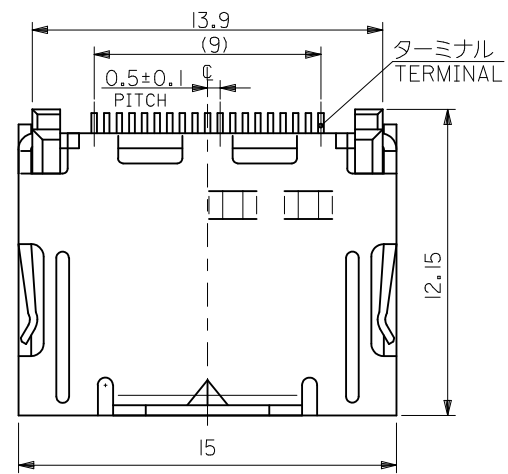
1. 一般公差：±0.5
GENERAL TOLERANCES: ±0.5
2. 反り：2MAX.
WARP: 2MAX.
3. 1トレイの梱包数：60個
QUANTITY IN ONE TRAY: 60 PCS.
4. 標準梱包数：300個
STANDARD PACKAGING QUANTITY: 300 PCS.
5. トレイは、180° 反転させ交互に重ねる。
TRAYS SHOULD BE PILED ALTERNATELY.

500254-1942
500254-1932
500254-1941
500254-1931
適用製品番号 APPLICABLE PART NO.

MATERIAL
POLYSTYRENE SHEET (t=1.0)
WHITE

ADD NEW P/N ECNO: S2012-0578 DRWN: ZENG 2012/03/01 CHKD: JESSIECHUA 2012/03/15 APPR: NAGESHKN 2012/03/19	GENERAL TOLERANCES (UNLESS SPECIFIED)		DIMENSION STYLE MM ONLY		SCALE	DESIGN UNITS METRIC	TRAY FOR HDMI CONN. R/A WITH FLANGE -LEAD FREE- MOLEX INCORPORATED
	10 UNDER	± ---	DRAWN BY	DATE	TITLE	MOLEX 59410-0097 SD-500254-004	
	10 OVER 30 UNDER	± ---	T. HARUYAMA	'04/02/25	SHEET NO. 1 OF 1		
	30 OVER	± ---	M. ENOMOTO	'04/02/25			
ANGULAR	± --- °	APPROVED BY	DATE	THIS DRAWING CONTAINS INFORMATION THAT IS PROPRIETARY TO MOLEX INCORPORATED AND SHOULD NOT BE USED WITHOUT WRITTEN PERMISSION			
DRAFT WHERE APPLICABLE MUST REMAIN WITHIN DIMENSIONS		MATERIAL NO.	59410-0097		DOCUMENT NO.	SD-500254-004	

F



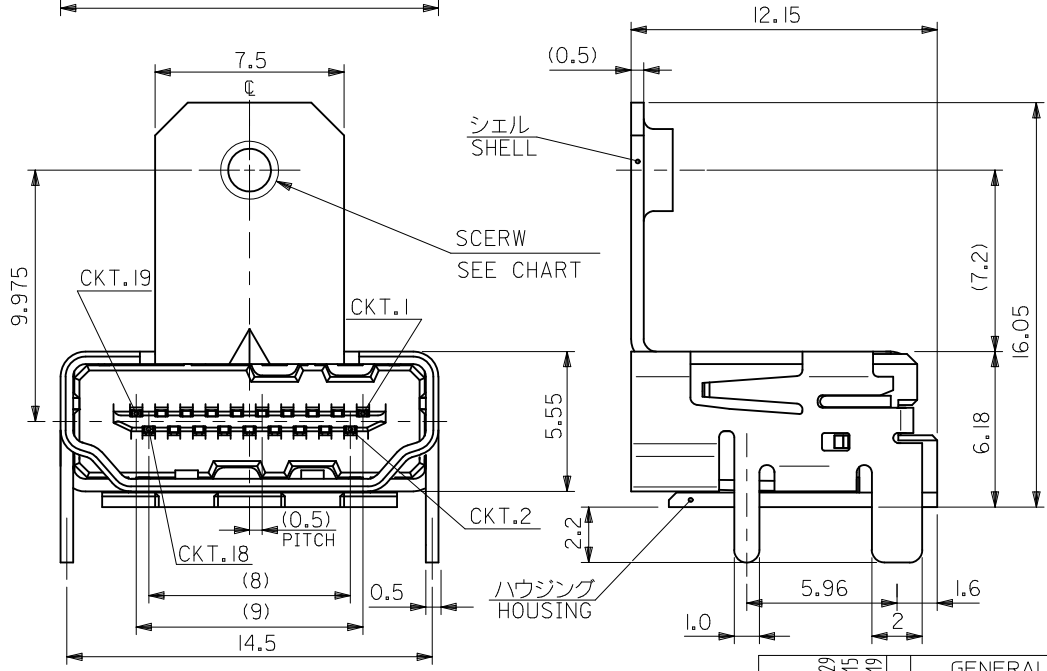
注記 1. 材質
 NOTE MATERIAL
 ハウジング: ガラス入り耐熱樹脂
 HOUSING: GLASS FULLED HEAT-RESISTED RESIN, UL94V-0
 ターミナル: 銅合金
 TERMINAL: COPPER ALLOY
 シェル: 銅合金
 SHELL: COPPER ALLOY

2. めっき仕様
 PLATING
 ターミナル: <接点部> 金めっき 0.76μm (A) :0.76 MICROMETER MINIMUM.
 TERMINAL <CONTACT AREA> GOLD(Au) (A) :0.76 MICROMETER MINIMUM.
 (B) :GOLD FLASH OVER Pd/Ni
 <半田付け部> 錫めっき 1.0μm (B) :1.0 MICROMETER MINIMUM.
 <SOLDER TAIL AREA> TIN(Sn) 1.0 MICROMETER MINIMUM.
 <下地> ニッケルめっき 2.0μm (C) :2.0 MICROMETER MINIMUM.
 <UNDER-PLATING> NICKEL(Ni) 2 MICROMETER MINIMUM.

シェル: 錫めっき 1.0μm (D) :1.0 MICROMETER MINIMUM.
 SHELL: TIN(Sn) 1.0 MICROMETER MINIMUM.
 下地ニッケルめっき 1.27μm (E) :1.27 MICROMETER MINIMUM.
 UNDER-PLATING NICKEL (Ni) 1.27 MICROMETER MINIMUM.

E

D



3. ネジ締めトルク
 SCREWING TORQUE

	推奨ネジ締めトルク RECOMMENDED SCREWING TORQUE	最大許容ネジ締めトルク TORQUE LIMIT	PLATING
500254-1931	0.343N-m {3.5kgf-cm} MAXIMUM.	0.392N-m {4.0kgf-cm} MAXIMUM.	2-(A)
500254-1941	0.294N-m {3.0kgf-cm} MAXIMUM.	0.343N-m {3.5kgf-cm} MAXIMUM.	
500254-1932	0.343N-m {3.5kgf-cm} MAXIMUM.	0.392N-m {4.0kgf-cm} MAXIMUM.	2-(B)
500254-1942	0.294N-m {3.0kgf-cm} MAXIMUM.	0.343N-m {3.5kgf-cm} MAXIMUM.	

4. テール部の平坦度: 0.1 MAXIMUM.
 COPLANALITY OF TAIL: 0.1 MAXIMUM.

No.4-40UNC	500254-1942	19
M3x0.5	500254-1932	
No.4-40UNC	500254-1941	19
M3x0.5	500254-1931	
SCERW	TRAY PACKAGING	CIRCUITS
	MATERIAL NO.	

B

A

ADD NEW P/N EC NO: S2012-0578 DRWN: ZENG 2012/07/29 CHKD: JESSIECHUA 2012/03/15 APPR: NAGESHKN 2012/03/19	GENERAL TOLERANCES (UNLESS SPECIFIED)		DIMENSION STYLE MM ONLY		SCALE	DESIGN UNITS METRIC	THIRD ANGLE PROJECTION	
	10 UNDER	±0.2	DRAWN BY K. TOYODA	DATE '04/03/26	TITLE	HDMI RIGHT ANGLE HEADER ASSY WITH FLANGE -LEAD FREE- MOLEX INCORPORATED		
	10 OVER 30 UNDER	±0.25	CHECKED BY K. ASAKAWA	DATE '04/03/26	DOCUMENT NO. SD-500254-006			
	30 OVER	±0.3	APPROVED BY S. ICHIKAWA	DATE '04/03/26	SEE CHART			
REV	DESCRIPTION	ANGULAR ±3 °	DRAFT WHERE APPLICABLE MUST REMAIN WITHIN DIMENSIONS		THIS DRAWING CONTAINS INFORMATION THAT IS PROPRIETARY TO MOLEX INCORPORATED AND SHOULD NOT BE USED WITHOUT WRITTEN PERMISSION			

