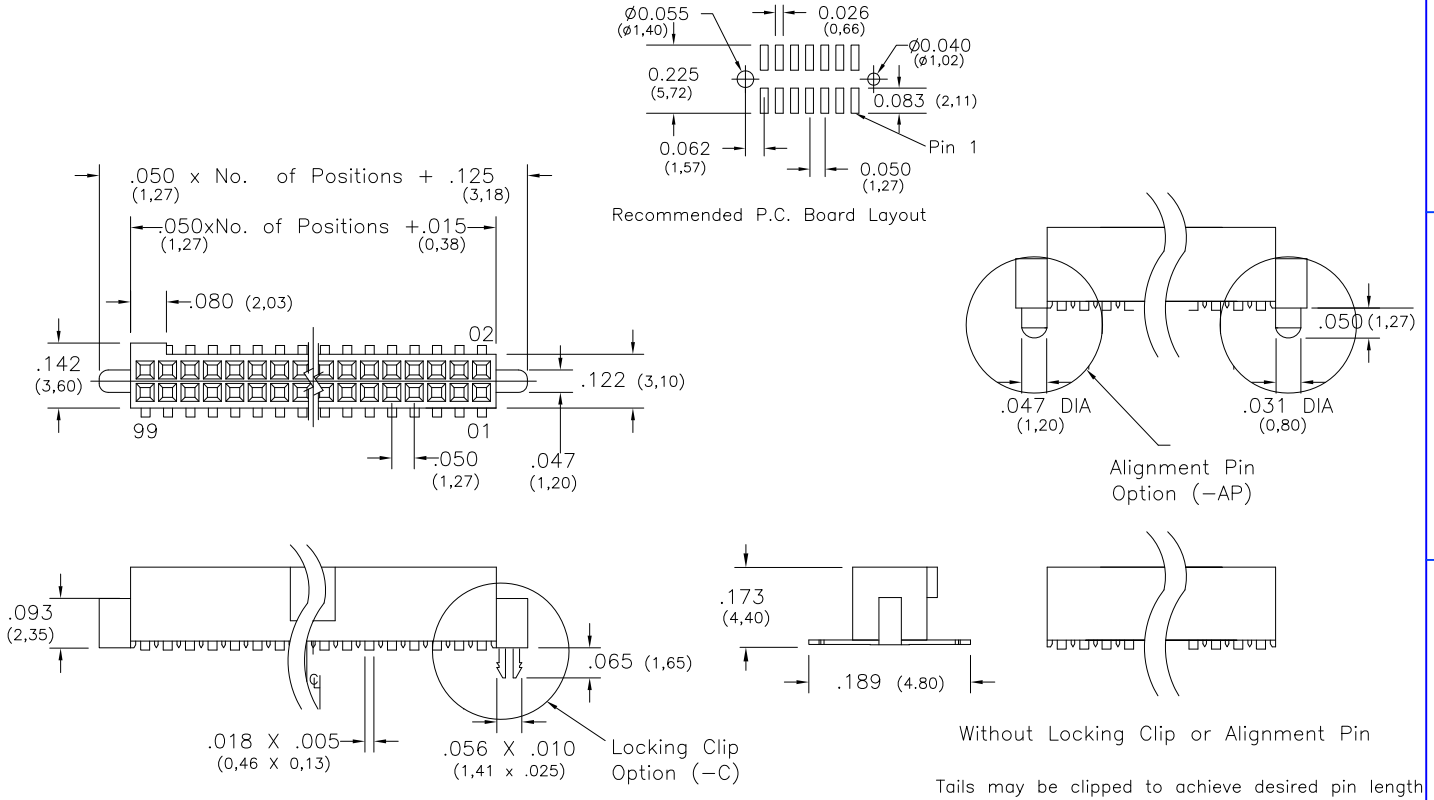


Major League Electronics .050x.050 cl Polarized Shrouded Socket - Surface Mount



Ordering Information

PSSHSM-5 - D - 06 - - - - - - - LF

Pins Per Row
05 - 50

Row Specification
D = Dual Row

Surface Mount

Lead Free

Packing Information

TR-P = Tape and Reel with Plastic Pick and Place pad
 TB-P = Tube with Plastic Pick and Place pad
 TB-0 = Tube without Pick and Place Pad
 If left blank, packaging at MLE's discretion
 Pad may be metal, mylar or plastic

Locking Clip
 Leave blank if not needed
 C = With

Alignment Pin
 Leave blank if not needed
 AP = With

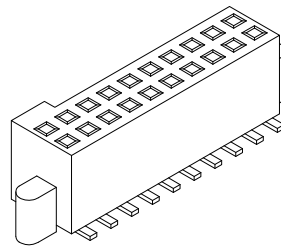
Plating Options	
10 μ Gold on Contact Area / Flash on Tail	G
Matte Tin All Over	T
10 μ Gold on Contact Area / Matte Tin on Tail	GT
30 μ Gold on Contact Area / Matte Tin on Tail	H
Gold Flash over Entire Pin	F

Specifications

Current Rating: 1.0 Ampere
 Insulation Resistance: 1000M Ω Min.
 Dielectric Withstanding: 300V AC
 Contact Resistance: 20 m Ω Max.
 Operating Temperature: -40°C to + 105°C
 Max. Process Temperature:
 Peak: 260°C up to 10 secs.
 Process: 230°C up to 60 secs.
 Wave: 260°C up to 6 secs.
 Reflow: 260°C up to 10 secs.
 Manual Solder: 350°C up to 5 secs.

Materials

Contact Material: Phosphor Bronze
 Insulator Material: Nylon 6T
 Plating: Au or Sn over 50 μ " (1.27) Ni



Mates with:
 PTSHS,
 PTSHSM

Products cut to specific sizes are uncancellable/nonreturnable

Parts are subject to change without notice

PSSHSM-5-D SERIES

.050x.050 cl Dual Row - Surface Mount
 Polarized Shrouded Socket

07 FEB 07

Scale
 NTS

UNLESS OTHERWISE SPECIFIED
 DIMENSIONS IN INCHES (MM)
 TOLERANCES ARE:

ONE PLACE DECIMALS ± 0.100
 TWO PLACE DECIMALS ± 0.010
 THREE PLACE DECIMALS ± 0.005
 FOUR PLACE DECIMALS ± 0.0020

ANGLES
 ± 30



4235 Earnings Way, New Albany, Indiana, 47150, USA
 1-800-782-3486 (USA/Canada/Mexico)
 Tel: 812-944-7244
 Fax: 812-944-7268
 E-mail: mle@mlelectronics.com
 Web: www.mlelectronics.com


Revision
 B

Sheet
 1/2

Revisions

Revision B - (10th May 2010)

Pins per row option changed from 05-40 to be 05-50.

<p>UNLESS OTHERWISE SPECIFIED DIMENSIONS IN INCHES (MM) TOLERANCES ARE:</p> <p>ONE PLACE DECIMALS ±.100 TWO PLACE DECIMALS ±.010 THREE PLACE DECIMALS ±.005 FOUR PLACE DECIMALS ±.0020</p> <p>ANGLES ±.5°</p>	<p>PSSHSM-5-D SERIES</p> 	<p>.050x.050 cl Dual Row - Surface Mount Polarized Shrouded Socket</p> <p>4235 Earnings Way, New Albany, Indiana, 47150, USA 1-800-782-3486 (USA/Canada/Mexico) Tel: 812-944-7244 Fax: 812-944-7268 E-mail: mle@mlelectronics.com Web: www.mlelectronics.com</p>	<p>07 FEB 07</p> <p>Scale NTS</p> <p>Revision B</p> <p>Sheet 2/2</p>
---	--	--	--