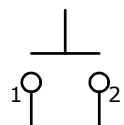


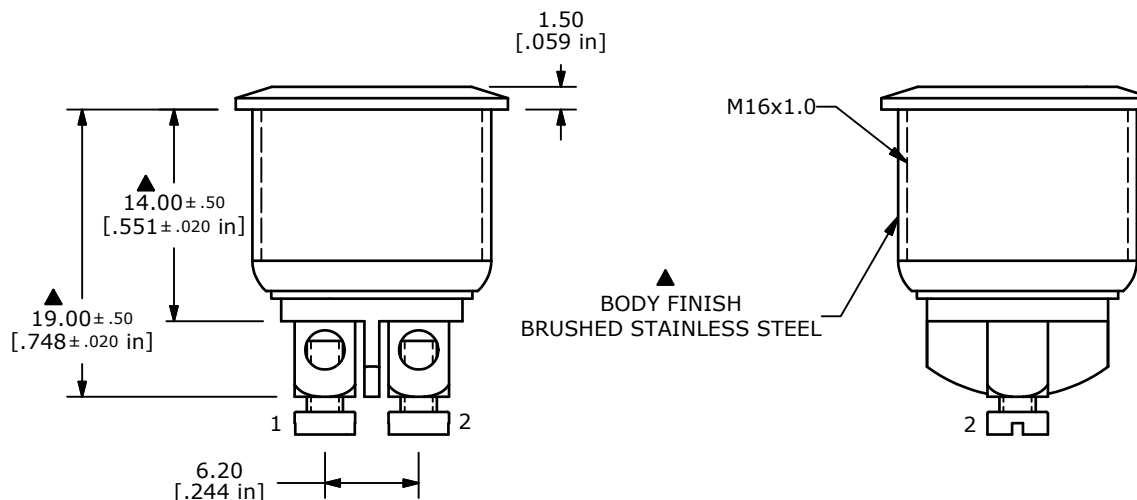
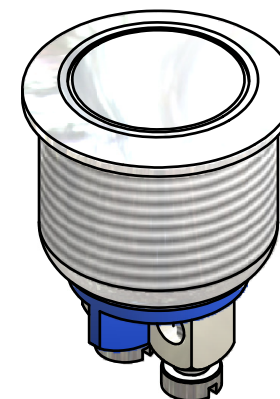
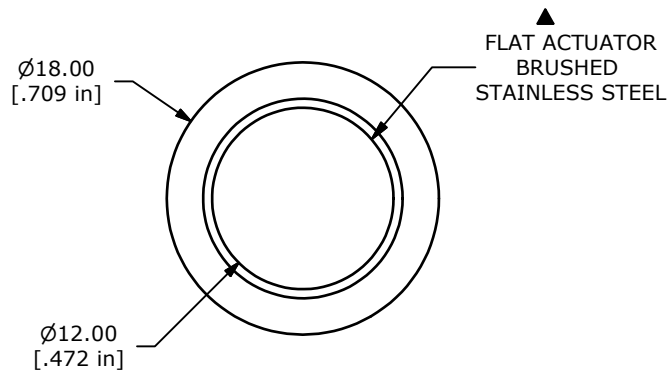
PANEL MOUNTING  
MAX. PANEL THICKNESS 6.0mm



CIRCUIT: SPST

SWITCH FUNCTION	
POS. 1	POS. 2
OFF	(ON)
OPEN	1-2

(ON) = MOMENTARY



- NOTE:
1. ALL DIMENSIONS IN MM [INCH]
  2. GENERAL TOLERANCE: X.X=±0.4  
X.XX=±0.25
  3. TERMINAL NUMBERS FOR REF ONLY
  4. CONTACT MATERIAL: SILVER
  5. RATING: 2A 48VDC
  - ▲6: TRAVEL: 1.5 ± 0.2mm
  7. ELECTRIC LIFE: 200,000 MAKE-AND-BREAK CYCLES
  8. INSULATION RESISTANCE: 1,000 MΩ MIN.
  9. DIELECTRIC STRENGTH: 2,000 VAC MIN. FOR 1 MINUTE
  10. CONTACT RESISTANCE: 50mΩ MAX. @ 1A 12VDC
  11. OPERATING TEMP.: -20°C to 55°C
  12. ▲DENOTES CRITICAL PARAMETER.
  13. INGRESS PROTECTION: IP65
  - ▲14. HARDWARE SUPPLIED: O-RING AND HEXNUT
  15. 2002/95/EC (ROHS) COMPLIANT



B	20392	UPDATE NOTES, ADD ROHS COMPLIANT	1/10/12	BGL
A	20349	RELEASE FOR PRODUCTION	12/15/11	BMA
REV	PCR NO	DESCRIPTION	DATE	BY

TITLE PV2F640BB				
SCALE	DATE	DR	DWG	REV
2:1	8/23/2011	BMA	52-PV2F640BB	B

THE INFORMATION CONTAINED IN THIS DOCUMENT IS PROPRIETARY TO E-SWITCH AND IS NOT TO BE COPIED OR TRANSFERRED