



# I2D-602M

midiCam

2D VISION

**SICK**  
Sensor Intelligence.



### Ordering information

Type	Part no.
I2D-602M	6060402

Other models and accessories → [www.sick.com/midiCam](http://www.sick.com/midiCam)



### Detailed technical data

#### Features

<b>Sensor</b>	CMOS monochrome
<b>Sensor used</b>	e2V EV76C570ABT
<b>Shutter technology</b>	Global-Shutter Rolling-Shutter Global-Start-Shutter
<b>Further functions</b>	Line mode, Scaler, Sequenzer, log mode, Hot pixel correction on the sensor, Fine illumination grid, Multi area of interest, Binning
<b>Lens</b>	C-mount
Optical format	1/1.8"

#### Performance

<b>Bit depth</b>	12 bit
<b>Sensor resolution</b>	1,600 px x 1,200 px (1.92 Mpixel, 4:3, UXGA)
<b>Sensor size</b>	7.2 mm x 5.4 mm
<b>Scan/frame rate</b>	35.6 fps, in freerun mode 34.4 Hz, in trigger mode
<b>Memory</b>	60 MB
<b>Exposure time</b>	0.02 ms ... 10,000 ms
<b>Pixel size</b>	4.5 µm

#### Interfaces

<b>Ethernet</b>	✓, UDP/IP
Data transmission rate	1,000 Mbit/s
<b>Configuration software</b>	I2D Software Suite

#### Mechanics/electronics

<b>Connections</b>	M12, 8-pin male connector, A-coded (2 GPIOs, 1 digital input, 1 digital output)
<b>Supply voltage</b>	12 V ... 24 V <sup>1)</sup>
<b>Power consumption</b>	≤ 2.9 W
<b>Enclosure rating</b>	IP65 IP67

<sup>1)</sup> Or PoE.

<b>Weight</b>	175 g
<b>Dimensions (L x W x H)</b>	44.7 mm x 53 mm x 41 mm

<sup>1)</sup> Or PoE.

#### Ambient data

<b>Shock load</b>	80 g, EN 60068-2-27 (1995-03), EN 60068-2-29 (1995-03)
<b>Vibration load</b>	10 g, 30 Hz ... 500 Hz, EN 60068-2-6 (1996-05)
<b>Ambient operating temperature</b>	0 °C ... +40 °C <sup>1)</sup>
<b>Ambient storage temperature</b>	-20 °C ... +60 °C <sup>1)</sup>

<sup>1)</sup> Relative humidity: 0% ... 100%.

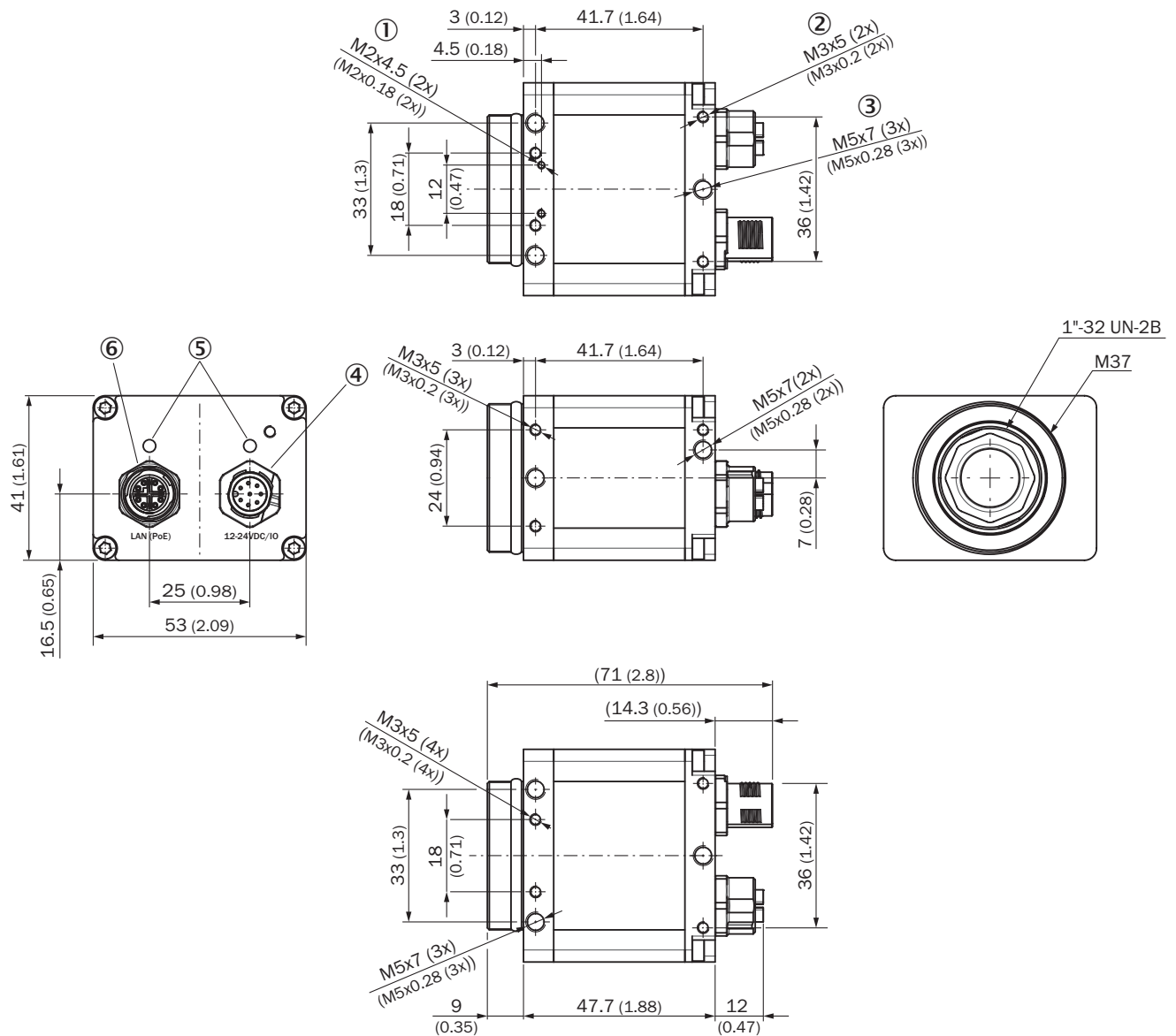
#### General notes

<b>Note</b>	Not free of paint wetting impairment substances.
-------------	--

#### Classifications

<b>ECl@ss 5.0</b>	27310205
<b>ECl@ss 5.1.4</b>	27310205
<b>ECl@ss 6.0</b>	27310205
<b>ECl@ss 6.2</b>	27310205
<b>ECl@ss 7.0</b>	27310205
<b>ECl@ss 8.0</b>	27310205
<b>ECl@ss 8.1</b>	27310205
<b>ECl@ss 9.0</b>	27310205
<b>ETIM 5.0</b>	EC001820
<b>ETIM 6.0</b>	EC001820
<b>UNSPSC 16.0901</b>	43211731

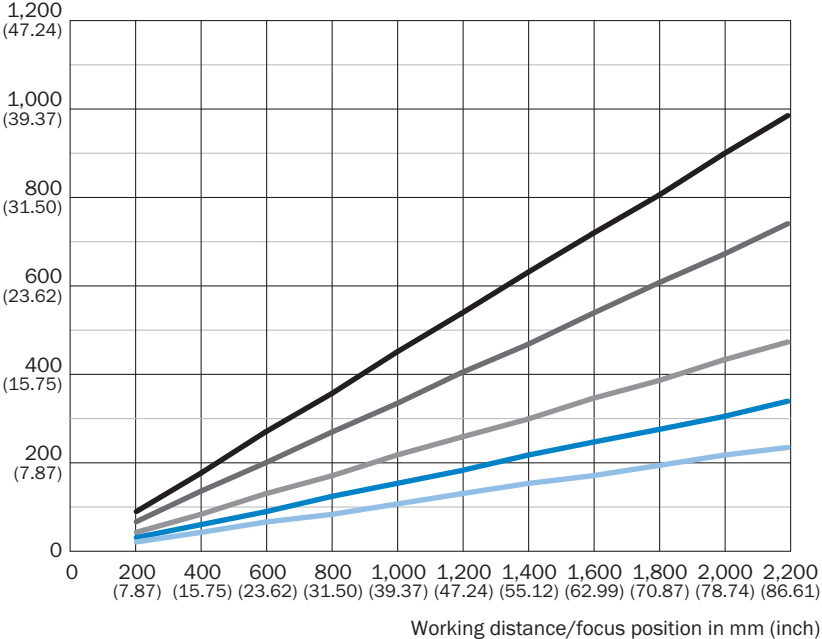
### Dimensional drawing (Dimensions in mm (inch))



- ① Blind hole thread M2, 4.5 mm deep (2 x)
- ② Blind hole thread M3, 5 mm deep (14 x), for mounting
- ③ M6 blind tapped holes, 7 mm deep (10 x), for mounting
- ④ I/O power connection, male connector, M12, 8-pin, A-kodiert, Binder
- ⑤ LED for status display (2 x)
- ⑥ M12, 8-pin female connector, X-coded (Gigabit Ethernet)

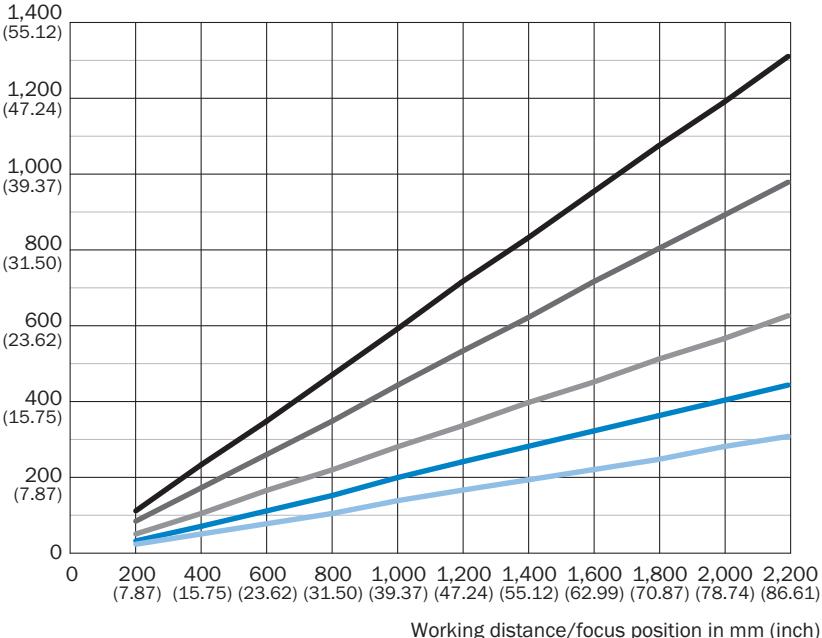
Field of view

Field of view y in mm (inch)



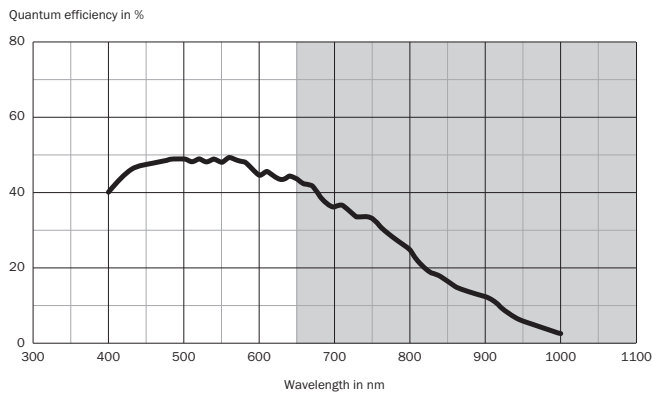
- f = 12 mm
- f = 16 mm
- f = 25 mm
- f = 35 mm
- f = 50 mm

Field of view x in mm (inch)





- f = 12 mm
- f = 16 mm
- f = 25 mm
- f = 35 mm
- f = 50 mm

### Spectral range



### Recommended accessories

Other models and accessories → [www.sick.com/midiCam](http://www.sick.com/midiCam)

	Brief description	Type	Part no.
Plug connectors and cables			
	Head A: female connector, M12, 8-pin, straight, A-coded Head B: Flying leads Cable: Sensor/actuator cable, PVC, shielded, 2 m	YF2A28-020VA6XLEAX	2096243
	Head A: male connector, M12, 8-pin, straight, X-coded Head B: male connector, RJ45, 8-pin, straight Cable: Gigabit Ethernet, twisted pair, PUR, halogen-free, shielded, 2 m	SSL-2J08-G02MACE	6049728

## SICK AT A GLANCE

SICK is one of the leading manufacturers of intelligent sensors and sensor solutions for industrial applications. A unique range of products and services creates the perfect basis for controlling processes securely and efficiently, protecting individuals from accidents and preventing damage to the environment.

We have extensive experience in a wide range of industries and understand their processes and requirements. With intelligent sensors, we can deliver exactly what our customers need. In application centers in Europe, Asia and North America, system solutions are tested and optimized in accordance with customer specifications. All this makes us a reliable supplier and development partner.

Comprehensive services complete our offering: SICK LifeTime Services provide support throughout the machine life cycle and ensure safety and productivity.

For us, that is “Sensor Intelligence.”

## WORLDWIDE PRESENCE:

Contacts and other locations –[www.sick.com](http://www.sick.com)