

# KR Electronics, Inc.

## General Description

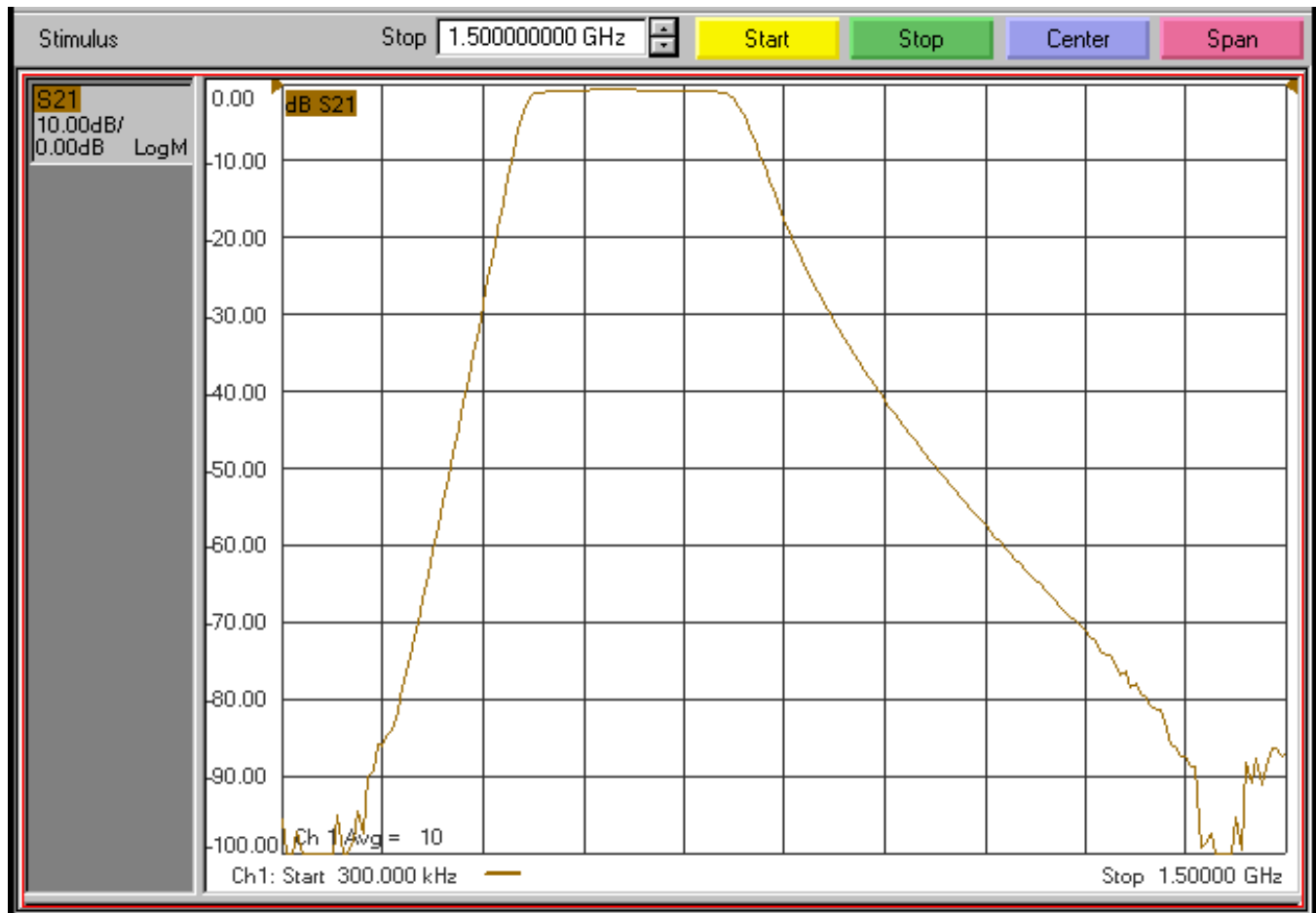
KR Electronics part number 3342-525-SMA is a 525 MHz band-pass filter. The filter has a min 3 dB bandwidth of 270 MHz. Other center frequencies are available. Please consult the factory.

### Features

- 525 MHz Bandpass Filter
- 270 MHz minimum 3 dB Bandwidth
- Good Stopband Loss
- 50  $\Omega$  Source and Load
- SMA Connectors
- Also available in SMD package

## Typical Performance

**Overall Response**  
(10 dB/div)



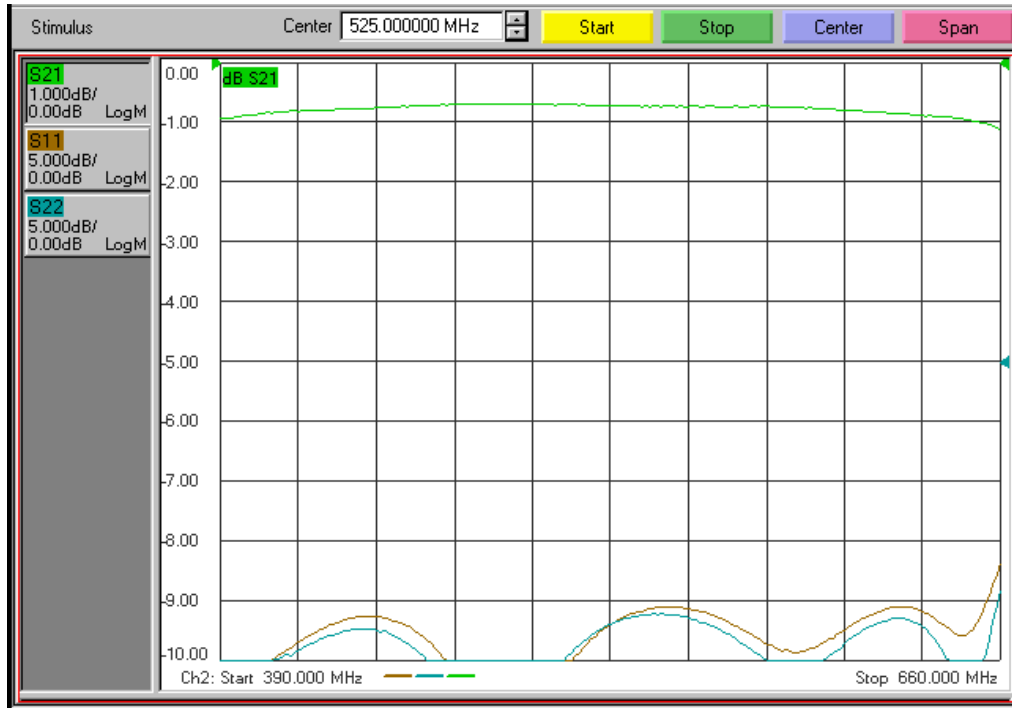
KR Electronics, Inc.  
91 Avenel Street  
Avenel, NJ 07001

Web [www.krfilters.com](http://www.krfilters.com)  
Email [sales@krfilters.com](mailto:sales@krfilters.com)  
Phone (732) 636-1900  
Fax (732) 636-1982

# KR Electronics 3342-525-SMA

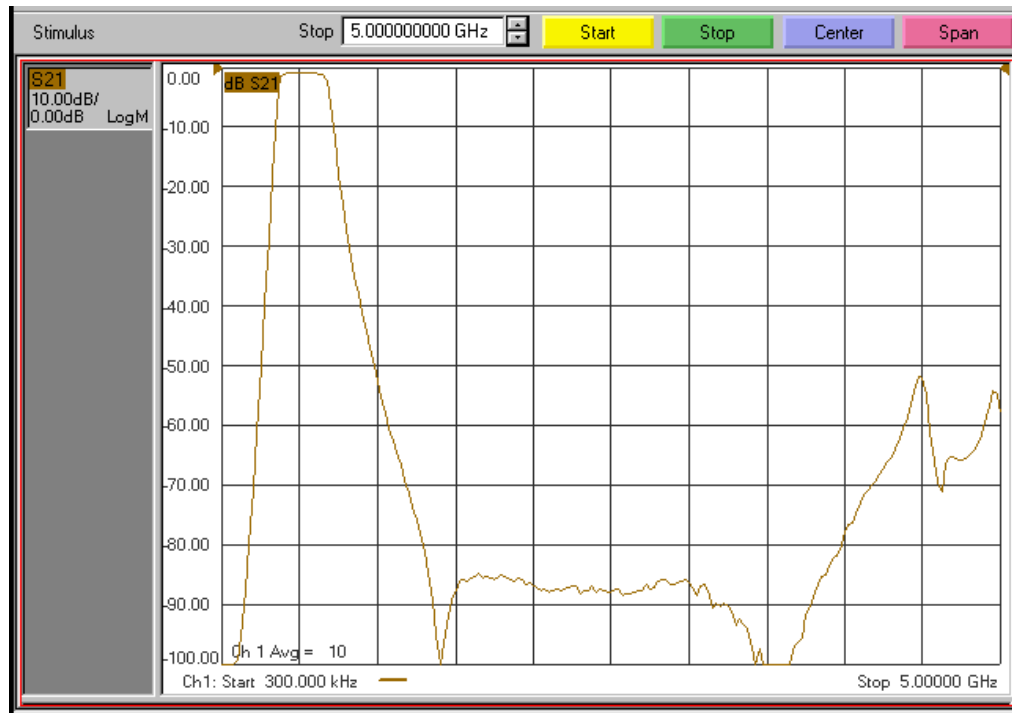
## Passband Amplitude & Return Loss

(1 dB/div & 5 dB/div)



## Overall Response

(10 dB/div)



KR Electronics, Inc.  
91 Avenel Street  
Avenel, NJ 07001

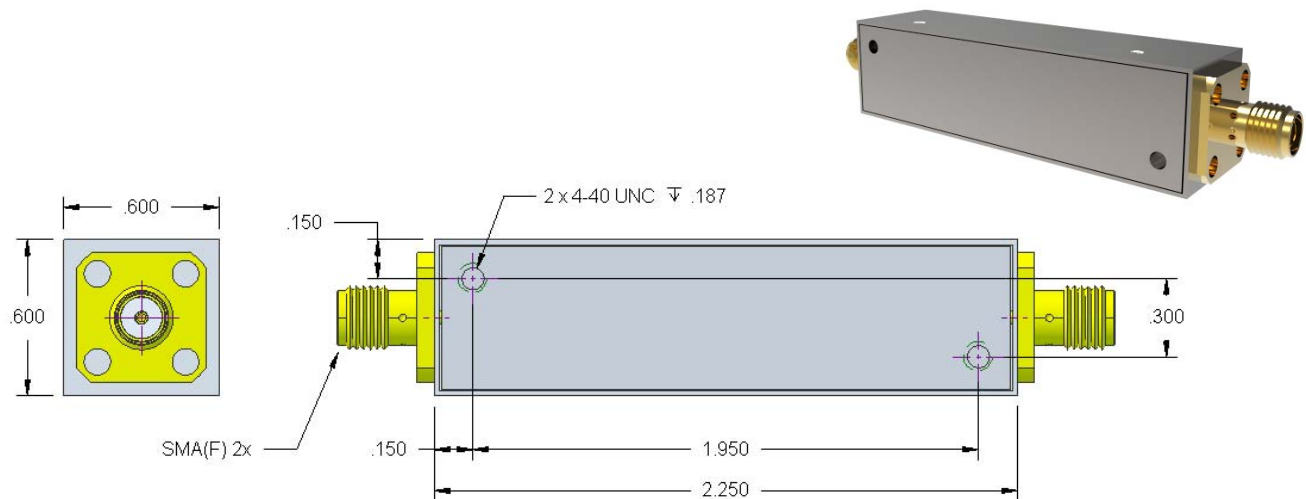
Web [www.krfilters.com](http://www.krfilters.com)  
Email [sales@krfilters.com](mailto:sales@krfilters.com)  
Phone (732) 636-1900

# KR Electronics 3342-525-SMA

## Specifications

| Parameter             | Specification   |                 |
|-----------------------|-----------------|-----------------|
| Filter type           | Bandpass        |                 |
| Center Frequency (Fc) | 525 MHz         |                 |
| Insertion Loss at Fc  | 2 dBa max       | 0.8 dBa typical |
| 1 dB Bandwidth        | 299 MHz typical |                 |
| 3 dB Bandwidth        | 270 MHz min     | 328 MHz typical |
| 40 dB Bandwidth       | 625 MHz typical |                 |
| 50 dB Bandwidth       | 736 MHz typical |                 |
| 60 dB Bandwidth       | 860 MHz typical |                 |
| Source and Load       | 50 Ω            |                 |

## Physical Dimensions



### Notes:

1. Dimensions in inches
2. Metal Case
3. SMA(F) Connectors
4. Also available in a surface mount package

KR Electronics, Inc.  
91 Avenel Street  
Avenel, NJ 07001

Web [www.krfilters.com](http://www.krfilters.com)  
Email [sales@krfilters.com](mailto:sales@krfilters.com)  
Phone (732) 636-1900  
Fax (732) 636-1982