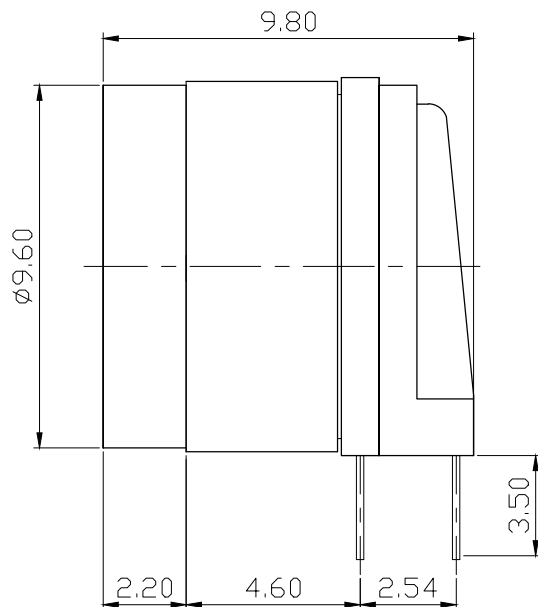
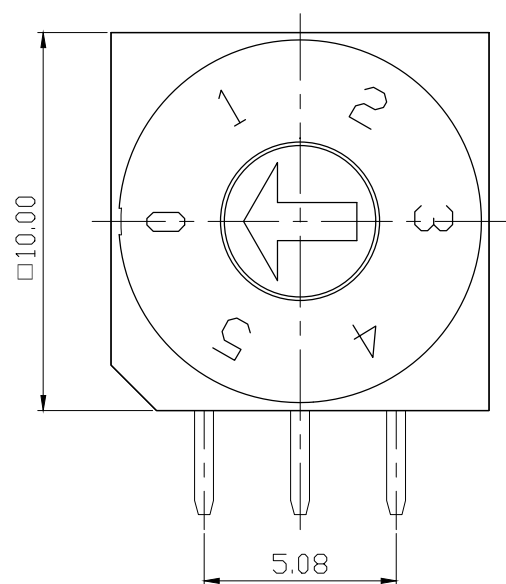
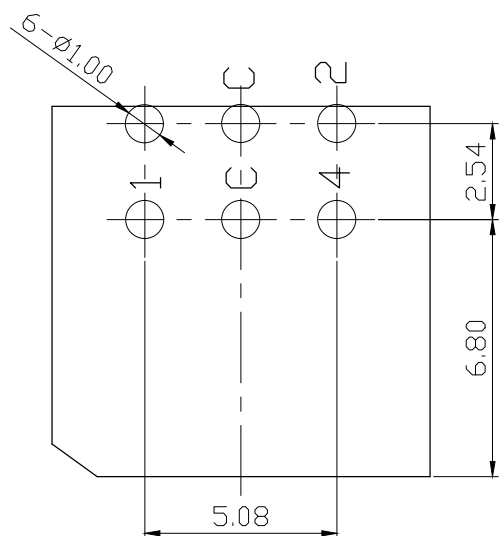


MARK	DATE	REMARKS
△		
△		



### SPECIFICATION

- Rating : 150mA, 42V DC (Switching)  
200mA, 42V DC (None-Switching)
- Contact Resistance : 80mΩ Max
- Insulation Resistance : 100MΩ Min
- Operating Force : 700gf Max
- Life cycle : 10,000 steps



P.C.B DIMENSION (TOP VIEW)

		Real Coded				
		C	1	2	4	8
P o s i t i o n	0	●				
	1	●	●			
	2	●		●		
	3	●	●	●		
	4	●			●	
	5	●	●		●	

APPD	CHKD	D'SGD	TITLE.
K.L LEE	J.P ROH	J.S SIN	<b>ROTARY DIP SWITCH</b>
MODEL NO.			<b>TDR-06H1</b>
			REV A
SUNGMUN ELECTRONICS CO., LTD.			