

SPECIFICATIONS

ELECTRICAL CHARACTERISTICS

Rated Voltage	100V DC
Rated Current	1.5A DC
Characteristic Impedance	100Ω
Insertion Loss	≤0.1dB to 1GHz
Return Loss	≤-20dB to 1GHz ≤-17dB to 2GHz

MECHANICAL CHARACTERISTICS

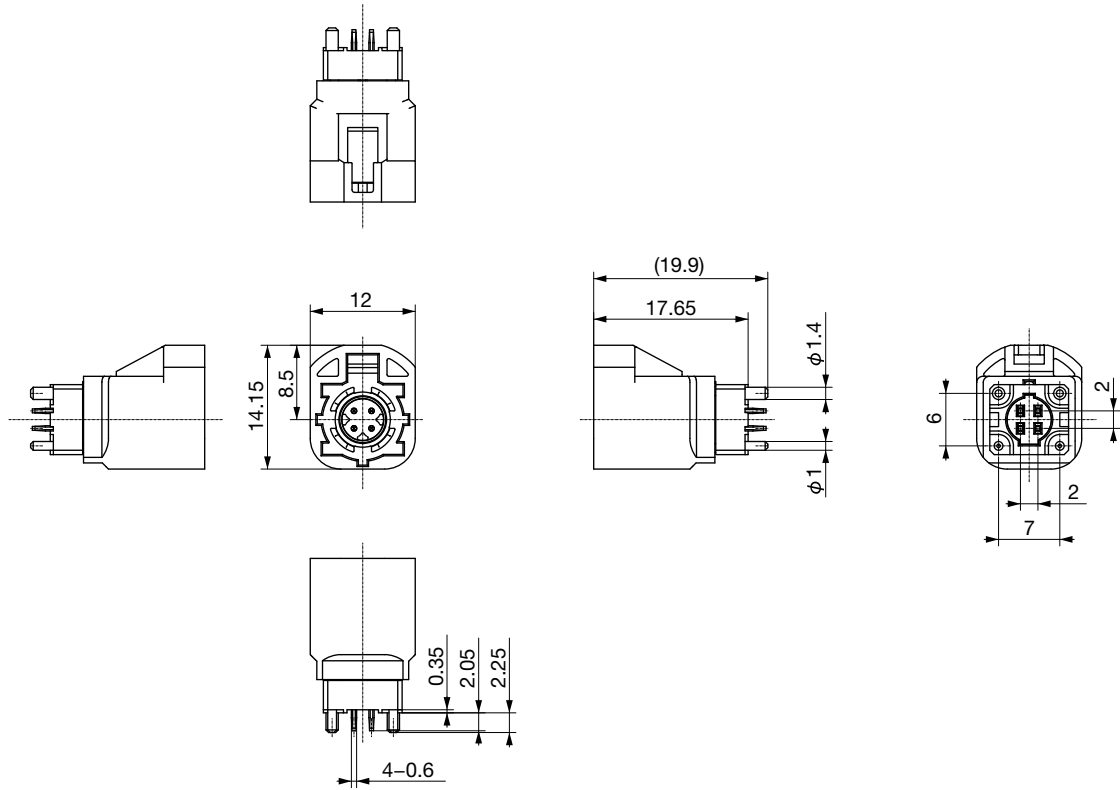
Life (Mating Cycle)	25 times
Total Insertion Force	≤30N
Total Withdrawal Force	5N to 30N

MATERIAL & FINISH

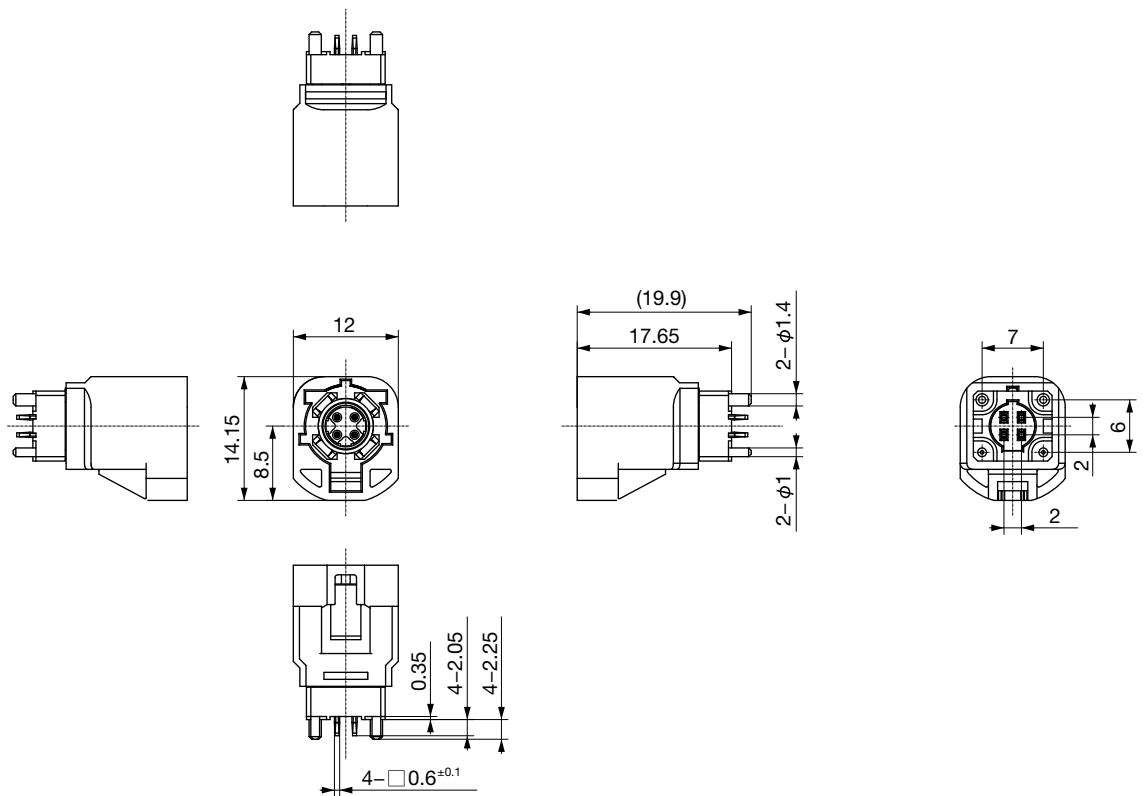
Component Parts		Material	Finish
CAM-K23 HN/HR/LRS Straight	Signal Pin	Copper alloy	Gold selective plating
	Housing	LCP resin	Black
	Shell	Zinc alloy	Ni plating
	Cover	PBT resin	Corresponds to each coding
CAM-K73LN Right Angle Low height	Signal Pin	Copper alloy	Gold selective plating
	Housing	PA resin	Black
	Shell	Zinc alloy	Ni plating
	Cover	PBT resin	Corresponds to each coding
	Lid	Copper alloy	Ni plating
CAM-K23SN Straight	Signal Pin	Copper alloy	Gold selective plating
	Housing	LCP resin	Black
	Shell	Zinc alloy	Ni plating
	Cover	PBT resin	Corresponds to each coding

DIMENSIONS

CAM-K23HN



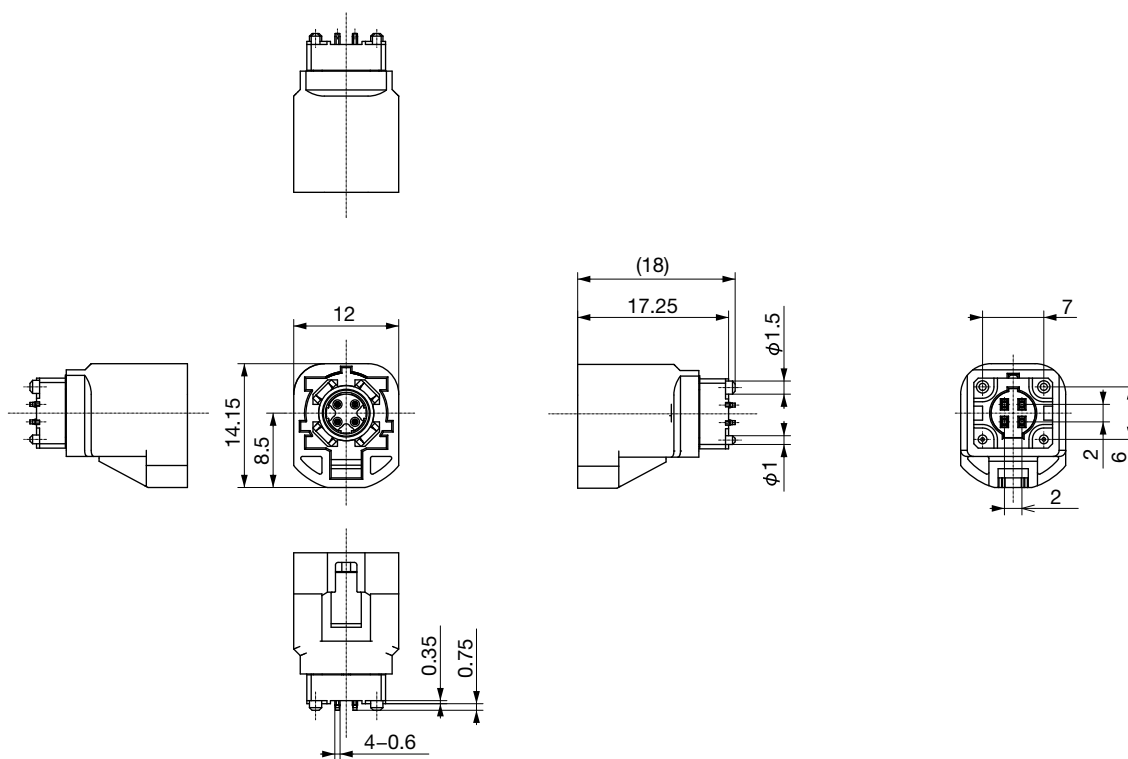
CAM-K23HR



Unit : mm

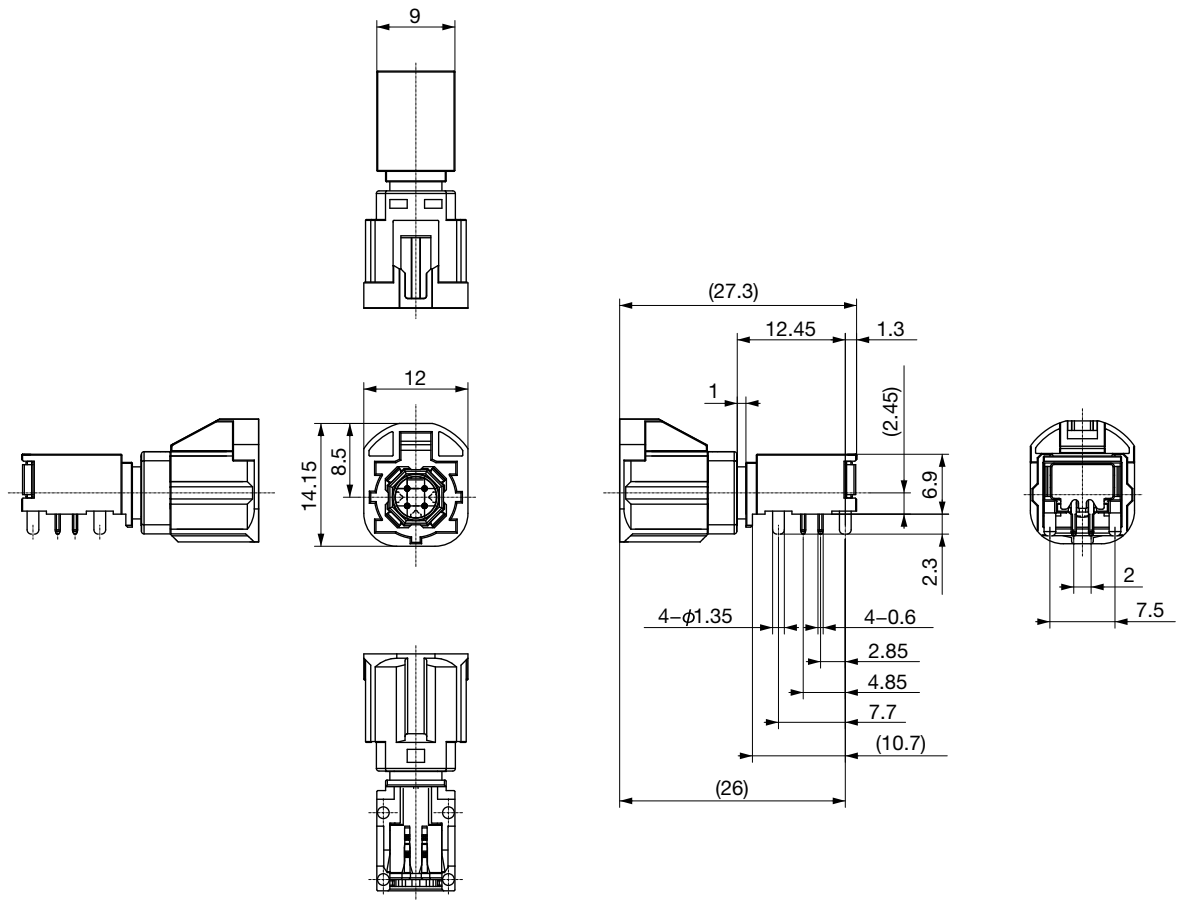
• Any products mentioned in this catalog are subject to any modification in their appearance and others for improvements without prior notification.
 • The details listed here are not a guarantee of the individual products at the time of ordering. When using the products, you will be asked to check their specifications.

CAM-K23LRS



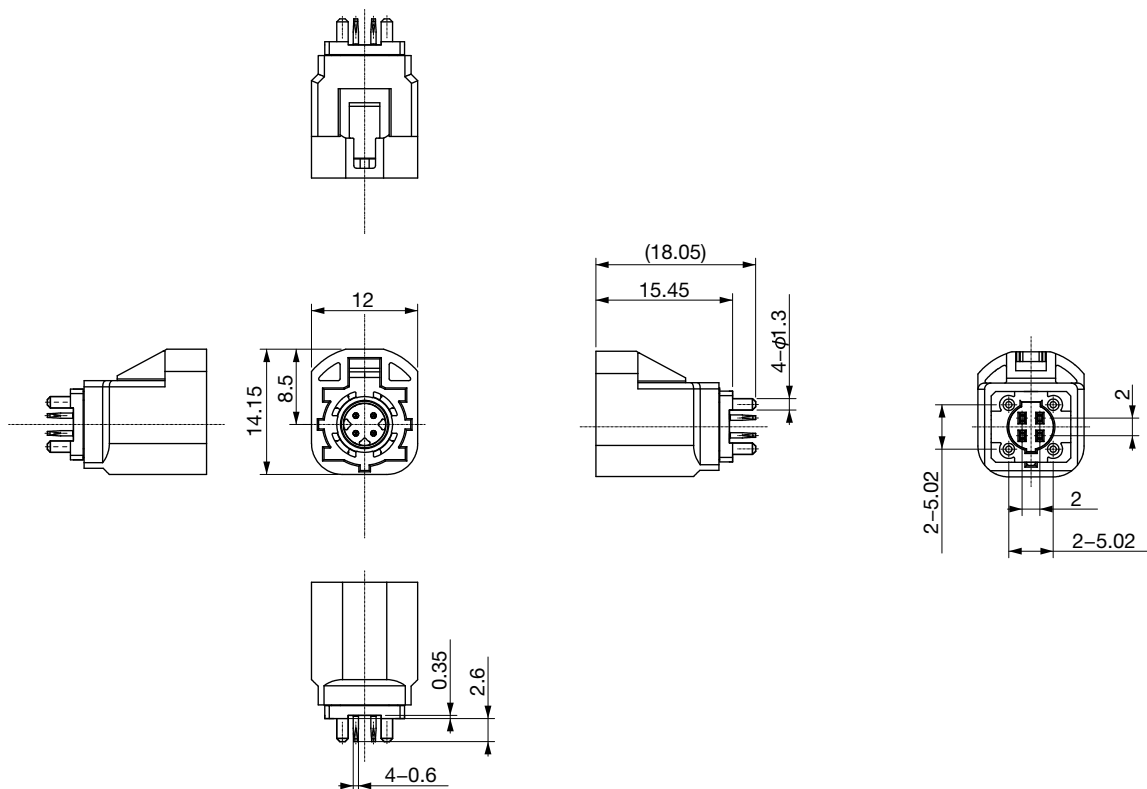
Unit : mm

CAM-K73LN



Unit : mm

CAM-K23SN



Unit : mm