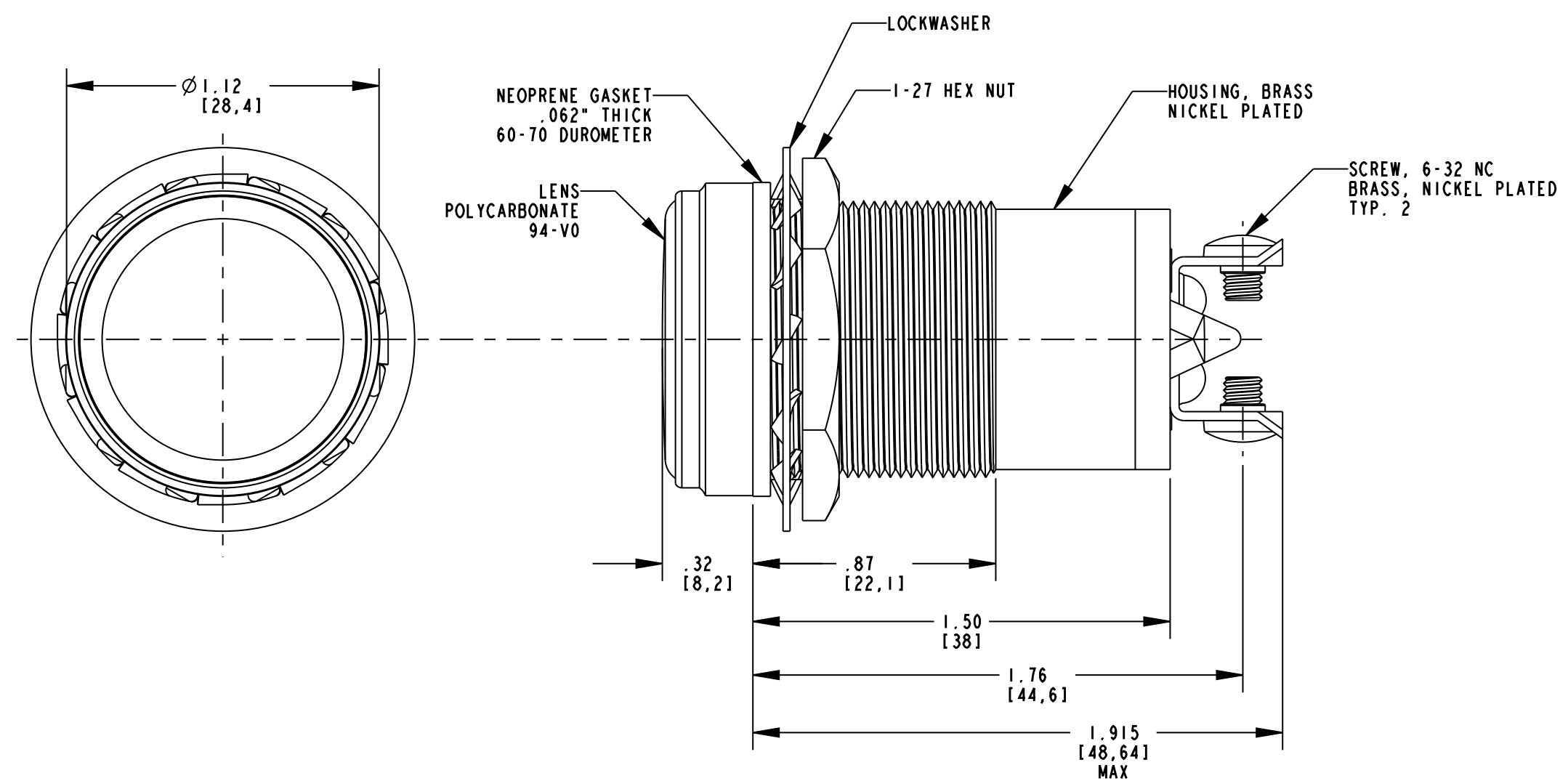
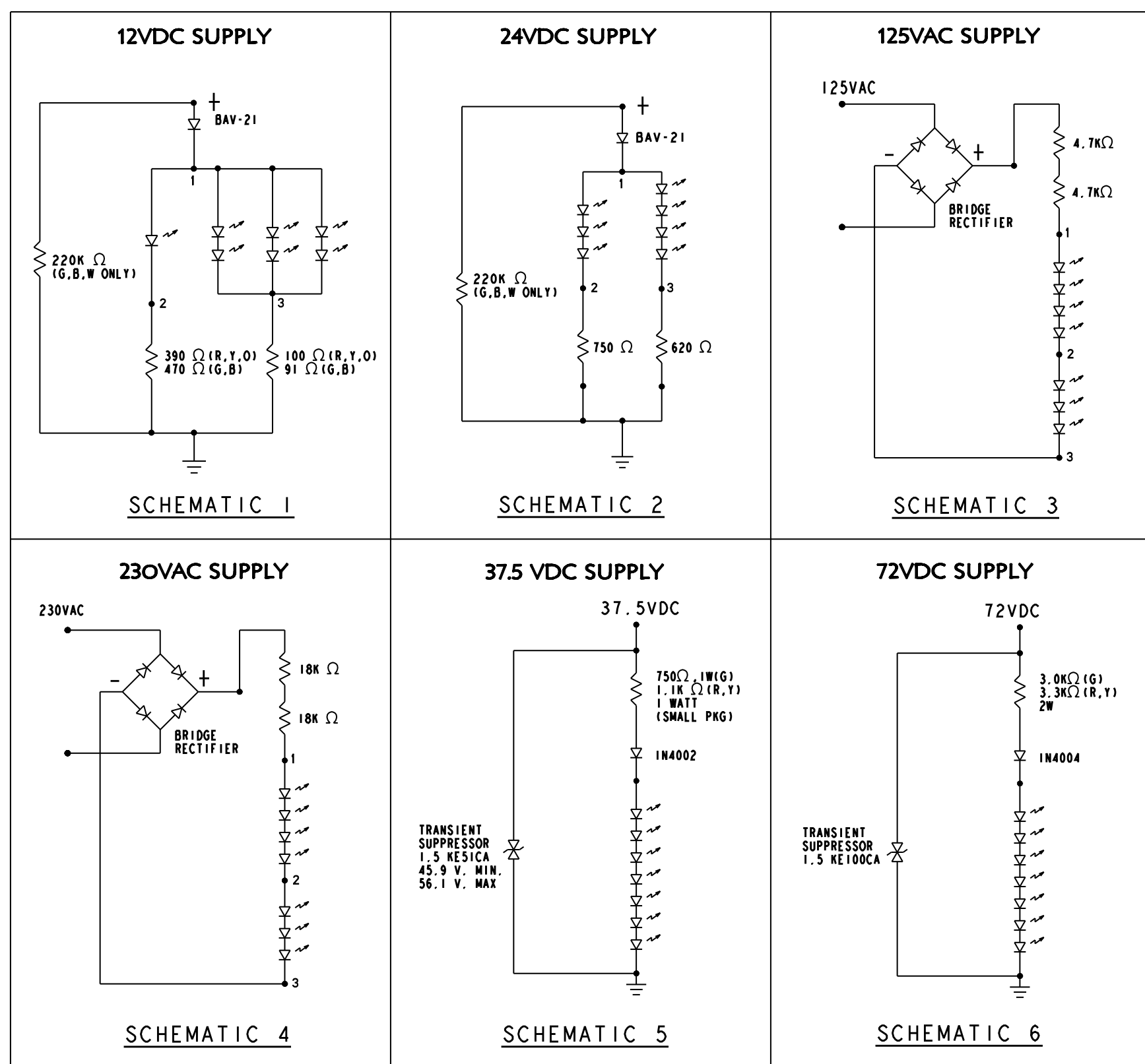


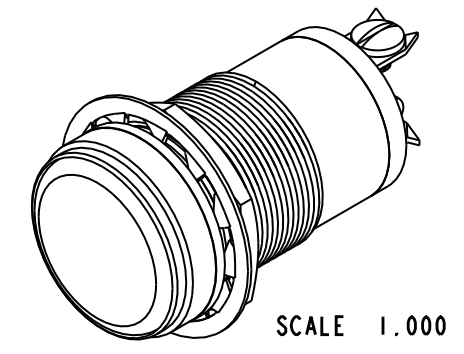
DIALIGHT PART NUMBER	LED COLOR	LENS COLOR	NOMINAL RATING	INTENSITY (fL)	CURRENT (mA)	SCHEMATIC DIAGRAM
				TYP	TYP	
556-1003-324F	WHITE	CLEAR	12 VDC	4000	60	1
556-1503-324F	RED	RED	12 VDC	3000	95	
556-1603-324F	GREEN	GREEN	12 VDC	4000	60	
556-1683-324F	CYAN	CLEAR	12 VDC	4000	60	
556-1703-324F	YELLOW	YELLOW	12 VDC	3000	95	
556-1803-324F	BLUE	CLEAR	12 VDC	1200	60	2
556-1903-324F	ORANGE	ORANGE	12 VDC	1200	95	
556-1004-324F	WHITE	CLEAR	24 VDC	4000	31	
556-1504-324F	RED	RED	24 VDC	3000	46	
556-1604-324F	GREEN	GREEN	24 VDC	4000	32	
556-1684-324F	CYAN	CLEAR	24 VDC	4000	32	5
556-1704-324F	YELLOW	YELLOW	24 VDC	3000	46	
556-1804-324F	BLUE	CLEAR	24 VDC	1200	32	
556-1904-324F	ORANGE	ORANGE	24 VDC	1200	46	
556-1508-324F	RED	RED	37 VDC	2600	20	
556-1608-324F	GREEN	GREEN	37 VDC	4000	16	6
556-1708-324F	YELLOW	YELLOW	37 VDC	2600	20	
556-1506-324F	RED	RED	72 VDC	1800	20	
556-1606-324F	GREEN	GREEN	72 VDC	1800	16	
556-1706-324F	YELLOW	YELLOW	72 VDC	1000	20	
556-1806-324F	BLUE	CLEAR	72 VDC	700	20	3
556-1005-324F	WHITE	CLEAR	125 VAC	1800	9.5	
556-1505-324F	RED	RED	125 VAC	1200	10.5	
556-1605-324F	GREEN	GREEN	125 VAC	1800	9.5	
556-1685-324F	CYAN	CLEAR	125 VAC	4000	9.5	
556-1705-324F	YELLOW	YELLOW	125 VAC	1200	10.5	7
556-1805-324F	BLUE	CLEAR	125 VAC	500	9.5	
556-1905-324F	ORANGE	ORANGE	125 VAC	500	10.5	
556-1507-324F	RED	RED	125 VDC	700	10	
556-1707-324F	YELLOW	YELLOW	125 VDC	700	10	
556-1009-324F	WHITE	CLEAR	230 VAC	1800	7	4
556-1509-324F	RED	RED	230 VAC	1200	7	
556-1609-324F	GREEN	GREEN	230 VAC	1800	7	
556-1709-324F	YELLOW	YELLOW	230 VAC	1200	7	
556-1809-324F	BLUE	CLEAR	230 VAC	500	7	

REV	ECN NO	REVISIONS	DRN	CKD	APP	DATE
A		NEW RELEASE	AJF	KLJ	CJC	10-29-10

**RoHS COMPLIANT 556-1XXX-324F**  
 Part Numbers with the "F" suffix ending are RoHS Compliant.  
 For example: 556-1003-324F  
 Packaging is marked with "RoHS Compliant" label or equivalent markings.



- NOTES:
1. DIALIGHT PART NUMBER: 556-1XXX-324F.
  2. THIS PRODUCT IS CERTIFIED FOR USE IN CLASS 1, DIVISION 2 HAZARDOUS LOCATIONS.
  3. THIS PRODUCT IS WATER SEALED FROM FRONT OF PANEL.
  4. MAXIMUM MOUNTING TORQUE: 40 IN-LBS.
  5. FRONT MOUNTING IN 1" CLEARANCE HOLE.
  6. MAXIMUM PANEL THICKNESS: .575".



THIS DRAWING AND THE CONTENTS HEREIN ARE CONFIDENTIAL AND THE SOLE PROPERTY OF DIALIGHT. REPRODUCTION OF THIS DRAWING OR CONSTRUCTION OF ANY PARTS WITHIN THIS DRAWING ARE FORBIDDEN WITHOUT THE WRITTEN CONSENT OF DIALIGHT.		
SCALE: 2.000	DRAWING NUMBER	REV
ALL DIM'S IN: INCHES (MM)	C-17881	A
TOLERANCES: UNLESS OTHERWISE SPECIFIED	TITLE 1" LED PMI, FLAT LENS CLASS 1, DIV.2	
FRACTIONS: $\pm 1/64$	MATERIAL	
DECIMALS (.XX): $\pm .02$	FINISH:	
DECIMALS (.XXX): $\pm .015$	FSCM 83330	
ANGLES: $\pm 1^\circ$	SHEET 1 OF 1 FAMILY TABLE:	
1501 ROUTE 34 SOUTH FARMINGDALE, NJ 07727		