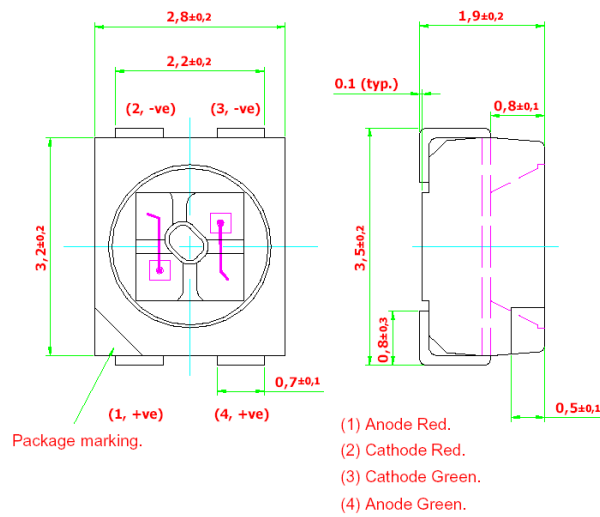




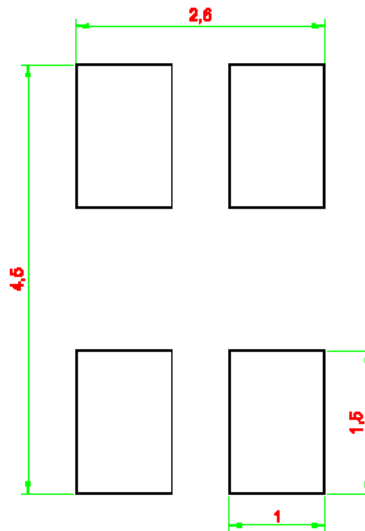
● **Feature:**

1. High brightness bi-color surface mount LED.
2. 120° viewing angle.
3. Small package outline (LxWxH) of 2.8 x 3.2 x 1.9 mm.
4. Qualified according to JEDEC moisture sensitivity Level 2.
5. Compatible to both IR reflow soldering and TTW soldering.

● **Package Dimension:**



Recommended Solder Pad





● **Optical Characteristics:**

Part Number	Color		Luminous Intensity @ I _f = 20mA . I _v (mcd)	
	λ _{dom} (typical, nm)		Chip#1	Chip#2
	Chip#1	Chip#2	Chip#1	Chip#2
BL-PMHG-GJS-C10 • BIN L L • BIN L M • BIN M L • BIN M M	AlGaAs	Gap	11.2 ... 28.5	11.2 ... 28.5
	Hyper Red	Green		
	640	570	11.2 ... 18.0	11.2 ... 18.0
			11.2 ... 18.0	18.0 ... 28.5
			18.0 ... 28.5	11.2 ... 18.0
		18.0 ... 28.5	18.0 ... 28.5	
BL-PMHG-GJS-C20 • BIN N L • BIN N M • BIN P L • BIN P M	AlGaAs	Gap	28.5 ... 71.5	11.2 ... 28.5
	Hyper Red	Green		
	640	570	28.5 ... 45.0	11.2 ... 18.0
			28.5 ... 45.0	18.0 ... 28.5
			45.0 ... 71.5	11.2 ... 18.0
		45.0 ... 71.5	18.0 ... 28.5	

NOTE:

1. BL-PMXX comes in a quantity of 2000 units per reel.
2. Luminous intensity is measured with an accuracy of ±11%.
3. Half group binning for luminous intensity is also available upon request.

● **Electrical Characteristics**

Color	V _f at I _f = 20mA		Viewing Angle
	Typ.	Max	
Hyper Red	2.2	2.5	120
Green	1.9	2.5	

● **Absolute Maximum Ratings:**

Parameter	Maximum Value	Unit
DC forward current.	30	mA
Peak pulse current. (t _p ≤ 10 μs, Duty cycle = 0.005)	1000	mA
Reverse voltage.	5	V
LED junction temperature.	125	°C
Operating temperature.	-55 ... +100	°C
Storage temperature.	-55 ... +100	°C



● **Wavelength Grouping:**

Color	Group	Wavelength distribution (nm)
Green	Full	564.5 – 576.5
	W	564.5 – 567.5
	X	567.5 – 570.5
	Y	570.5 – 573.5
	Z	573.5 – 576.5
Hyper Red	Full	640 – 650

Wavelength is measured with an accuracy of ± 1 nm.

● **Typical electro-optical characteristics curves:**

Fig. 1 Relative luminous intensity vs. forward current.

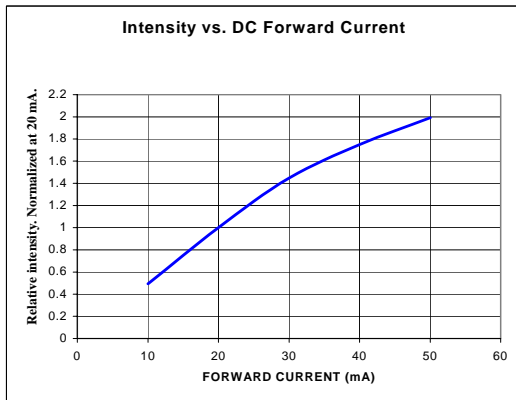


Fig. 3 Radiation pattern.

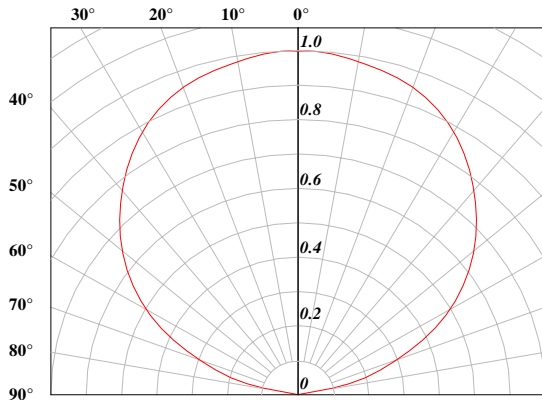


Fig. 2 Forward current vs. forward voltage.

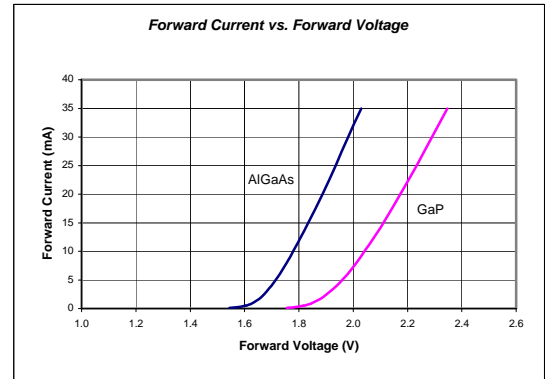
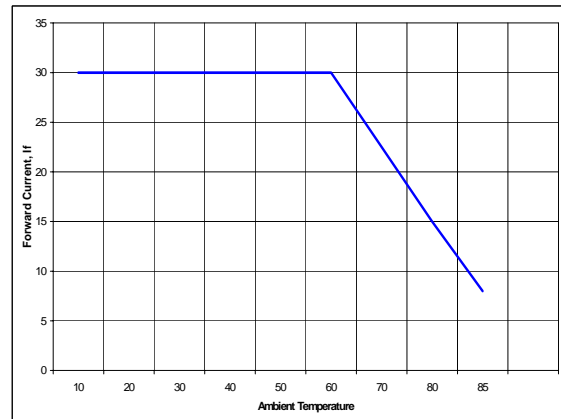


Fig. 4 Maximum forward current vs. temperature.

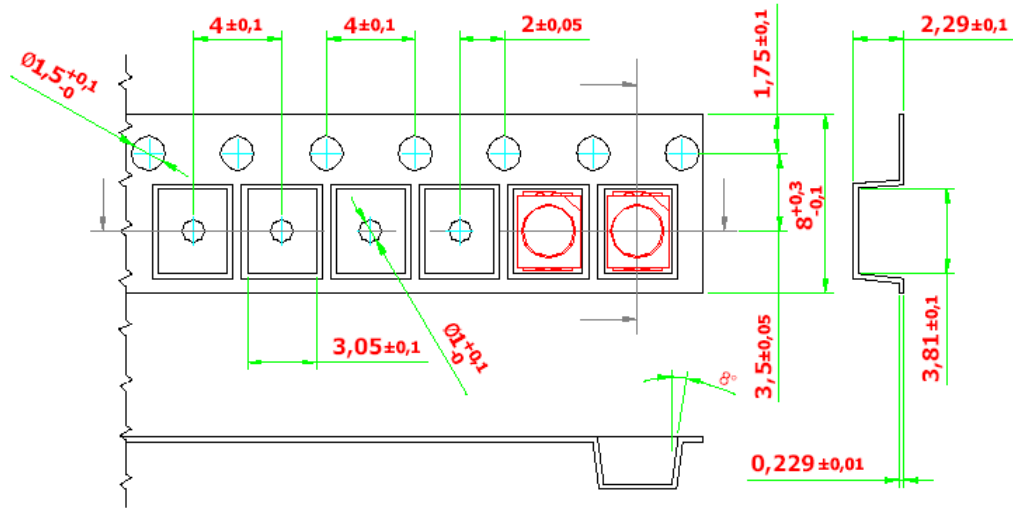




● **Taping And Orientation.**

Reels come in quantity of 2000 units.

Reel diameters 180 mm.



200 mm min. for Ø180 reel.

480 mm min. for Ø180 reel.

200 mm min. for Ø330 reel.

960 mm min. for Ø330 reel.

