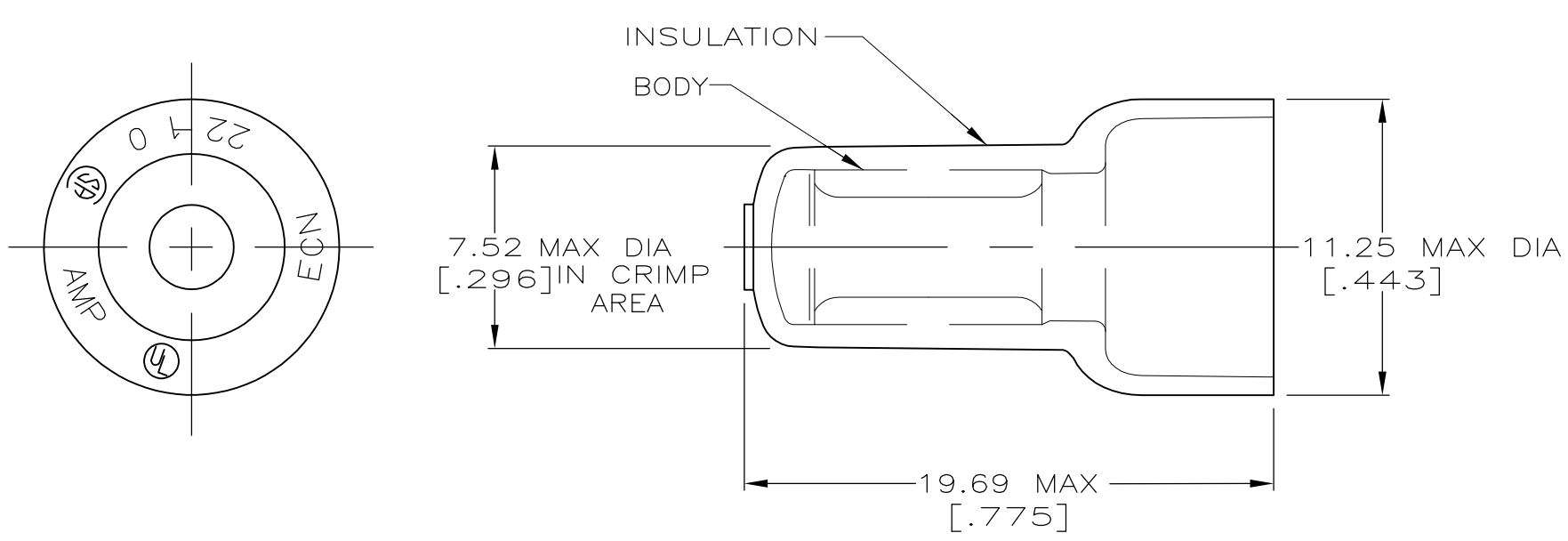


THIS DRAWING IS UNPUBLISHED. RELEASED FOR PUBLICATION
 © COPYRIGHT - By - ALL RIGHTS RESERVED.

| LOC | DIST | REVISIONS | | | | | |
|-----|------|-----------|-----|---------------------------|---------|-----|------|
| | | P | LTR | DESCRIPTION | DATE | DWN | APVD |
| G | 14 | | W2 | REVISED PER ECO-11-004917 | 11MAR11 | RK | HMR |

- △ 1 FOR 9.53 [.375] MAX WIRE INSULATION DIA
- △ 2 SUPERSEDED BY 35653
- △ 3 MATERIAL: BODY; COPPER PER ASTM B152 INSULATION; NYLON COLOR; NATURAL
- △ 4 FINISH: BODY; TIN PL. PER ASTM B545



| | | |
|--------------------------------|--------------------------------|--------------------------------|
| AMP WIRE RANGE | Listed | LR7189 Certified |
| 22-10 AWG SOLID OR STRANDED | 22-10 AWG SOLID OR STRANDED | 22-10 AWG SOLID OR STRANDED |

| QTY | DESCRIPTION | PART NO |
|-------|--------------|---------------|
| 25 | LOOSE PC,BAG | 8-35653-5 |
| 5 | LOOSE PC,BLS | 8-35653-4 |
| 100 | LOOSE PC,BOX | 8-35653-1 |
| 10000 | SPECIAL PKG, | 2-35653-2 △ 2 |
| 1500 | TAPE MOUNTED | 2-35653-1 |
| 1000 | LOOSE PIECE | 35653 |
| | | |

AMP INCORPORATED
CUSTOMER SERVICE SYSTEMS

FOR ADDITIONAL PRODUCT INFORMATION OR COPIES OF DRAWINGS AND TECHNICAL DOCUMENTS
 PRODUCT INFORMATION CENTER
 1-800-522-6752

FOR APPLICATION TOOLING INFORMATION
 TOOLING ASSISTANCE CENTER
 1-800-722-1111

FOR ORDER ENTRY
 1-800-526-5142

MAX RECOMMENDED OPERATING TEMPERATURE:
 105° C MAX

VOLTAGE RATING:
 300V MAX

CIRCULAR MIL AREA:
 1.65-6.64mm²[3248-13100]
 SOLID OR STRANDED

THIS DRAWING IS A CONTROLLED DOCUMENT.

DIMENSIONS: INCHES

TOLERANCES UNLESS OTHERWISE SPECIFIED:

| | |
|--------|--------------|
| 0 PLC | ± - |
| 1 PLC | ± - |
| 2 PLC | ± 0.20[.008] |
| 3 PLC | ± - |
| 4 PLC | ± - |
| ANGLES | ± - |

MATERIAL △ 3

FINISH △ 4

DWN G KRUPER 1/93
 CHK R HERSEY 1/93
 APVD M ELLIS 1/93

STE TE Connectivity

NAME: SPLICE, WIRE, CLOSED END

SIZE: A3 CAGE CODE: 00779 DRAWING NO: C-35653 RESTRICTED TO: -

WEIGHT: -

CUSTOMER DRAWING SCALE: 4:1 SHEET: 1 OF 1 REV: W2