

AT25SF321B

32-Mbit SPI Serial Flash Memory
with Dual-I/O and Quad-I/O Support

Features

- Serial Peripheral Interface (SPI) Compatible
 - Supports SPI modes 0 and 3 (1,1,1)
 - Supports dual input and dual output operation (1,1,2)
 - Supports quad input and quad output operation (1,1,4)
 - Supports quad I/O operation (1,4,4 and 0,4,4)
- 108 MHz Maximum Operating Frequency
- Single 2.7 V - 3.6 V Single Supply Voltage
- Continuous Read modes
- Serial Flash Discoverable Parameters (SFDP, JDES216B) support
- OTP Memory
 - Three Protected Programmable Security Register Pages (Page size: 256 bytes)
 - 64-bit factory programmable UID register
- Hardware Write Protection (\overline{WP} pin)
- Software Write protection (Programmable non-volatile control registers)
- Program and Erase Suspend and Resume
- Byte programming size: up to 256 bytes
- Erase Size and Duration
 - Uniform 4-kbyte Block Erase (50 ms typical)
 - Uniform 32-kbyte Block Erase (150 ms typical)
 - Uniform 64-kbyte Block Erase (300 ms typical)
 - Full Chip Erase (15 seconds typical)
- Low Power Dissipation
 - Standby Current (25 μ A maximum)
 - Deep Power Down Current (5 μ A maximum)
- Endurance: 100,000 Program and Erase Cycles
- Data Retention: 20 Years
- Industrial Temperature Range (-40 °C to 85 °C)
- Industry Standard Green (Pb/Halide-free/RoHS Compliant) Package Options
 - 8-lead SOIC (0.150" Narrow and 0.208" Wide)
 - 8-pad Ultra-Thin DFN (5 x 6 x 0.6 mm)
 - Die Wafer Form
 - Other Package Options (contact Adesto)



Adesto

Table of Contents

| | |
|---|----|
| 1. Product Overview | 3 |
| 2. Pin Descriptions and Package Pinouts | 4 |
| 3. Block Diagram | 6 |
| 4. Memory Array | 7 |
| 5. Device Operation | 9 |
| 5.1 Dual Output Read (1-1-2) | 9 |
| 5.2 Dual I/O Read (1-2-2) | 9 |
| 5.3 Quad Output Read (1-1-4) | 9 |
| 5.4 Quad I/O Read (1-4-4) | 9 |
| 6. Commands and Addressing | 10 |
| 7. Read Commands | 12 |
| 7.1 Read Array (0Bh and 03h) | 12 |
| 7.2 Dual-Output Read Array (3Bh) | 13 |
| 7.3 Dual-I/O Fast Read Array (BBh) | 13 |
| 7.3.1 Dual-I/O Fast Read Array (BBh) with Continuous Read Mode | 14 |
| 7.4 Quad Output Fast Read Array (6Bh) | 15 |
| 7.5 Quad-I/O Fast Read Array (EBh) | 15 |
| 7.5.1 Quad-I/O Fast Read Array (EBh) with Continuous Read Mode | 16 |
| 7.5.2 Set Burst with Wrap (77h) | 17 |
| 7.6 Quad-I/O Word Fast Read (E7h) | 18 |
| 7.6.1 Quad I/O Word Fast Read with “Continuous Read Mode” | 18 |
| 7.6.2 Quad I/O Word Fast Read with 8-, 16-, 32-, 64-Byte Wrap Around in Standard SPI Mode | 19 |
| 7.7 Read Serial Flash Discoverable Parameter (5Ah) | 19 |
| 8. Program and Erase Commands | 20 |
| 8.1 Byte/Page Program (02h) | 20 |
| 8.2 Quad Page Program (32h) | 21 |
| 8.3 Block Erase (20h, 52h, or D8h) | 22 |
| 8.4 Chip Erase (60h or C7h) | 22 |
| 8.5 Program/Erase Suspend (75h) | 23 |
| 8.6 Program/Erase Resume (7Ah) | 24 |
| 9. Protection Commands and Features | 25 |
| 9.1 Write Enable (06h) | 25 |
| 9.2 Write Disable (04h) | 25 |
| 9.3 Non-Volatile Protection | 26 |
| 9.4 Protected States and the Write Protect Pin | 27 |
| 9.5 Enable Reset (66h) and Reset Device (99h) | 28 |
| 10. Security Register Commands | 29 |
| 10.1 Read Unique ID Number (4Bh) | 29 |
| 10.2 Erase Security Registers (44h) | 30 |
| 10.3 Program Security Registers (42h) | 31 |
| 10.4 Read Security Registers (48h) | 32 |

Table of Contents

| | |
|---|----|
| 11. Status Register Commands | 33 |
| 11.1 Read Status Register (05h, 35h, and 15h) | 33 |
| 11.1.1 SRP1, SRP0 Bits | 35 |
| 11.1.2 CMP, BP4, BP3, BP2, BP1, BP0 Bits | 36 |
| 11.1.3 WEL Bit | 36 |
| 11.1.4 RDY/BSY Bit | 36 |
| 11.1.5 LB3, LB2, LB1 Bits | 36 |
| 11.1.6 E_SUS Bit | 36 |
| 11.1.7 P_SUS Bit | 37 |
| 11.1.8 QE Bit | 37 |
| 11.2 Write Status Register (01h) | 37 |
| 11.3 Write Enable for Volatile Status Register (50h) | 38 |
| 12. Other Commands and Functions | 39 |
| 12.1 Read Manufacturer and Device ID (9Fh) | 39 |
| 12.2 Read ID (Legacy Command) (90h) | 41 |
| 12.3 Dual I/O Read Manufacture ID/ Device ID (92h) | 42 |
| 12.4 Quad I/O Read Manufacture ID / Device ID (94h) | 43 |
| 12.5 Deep Power-Down (B9h) | 44 |
| 12.6 Resume from Deep Power-Down (ABh) | 45 |
| 12.6.1 Resume from Deep Power-Down and Read Device ID (ABh) | 46 |
| 12.7 Hold Function | 46 |
| 13. Electrical Specifications | 47 |
| 13.1 Absolute Maximum Ratings | 47 |
| 13.2 DC and AC Operating Range | 47 |
| 13.3 DC Characteristics | 47 |
| 13.4 AC Characteristics - Maximum Clock Frequencies | 48 |
| 13.5 AC Characteristics - All Other Parameters | 48 |
| 13.6 Program and Erase Characteristics | 49 |
| 13.7 Power Up Conditions | 50 |
| 13.8 Input Test Waveforms and Measurement Levels | 50 |
| 13.9 Output Test Load | 50 |
| 14. AC Waveforms | 51 |
| 15. Ordering Information | 53 |
| 16. Packaging Information | 54 |
| 16.1 8S1 – 0.150” Narrow JEDEC SOIC | 54 |
| 16.2 8S2 – 8-lead, 0.208” Wide EIAJ SOIC | 55 |
| 16.3 8MA1 – UDFN | 56 |
| 17. Revision History | 57 |

1. Product Overview

The Adesto® AT25SF321B is a serial interface Flash memory device designed for a wide variety of high-volume consumer based applications in which program code is shadowed from Flash memory into embedded or external RAM for execution. The flexible erase architecture of the AT25SF321B also is ideal for data storage, eliminating the need for additional data storage devices.

The AT25SF321B erase block sizes are optimized to meet the needs of today's code and data storage applications. This means memory space can be used much more efficiently. Because certain code modules and data storage segments must reside in their own erase regions, the wasted and unused memory space that occurs with large-block-erase Flash memory devices can be reduced greatly. This increased memory space allows additional code routines and data storage segments to be added, while maintaining the same overall device density.

This device also contains three Security Register pages for unique device serialization, system-level Electronic Serial Number (ESN) storage, locked key storage, etc. These pages can be locked individually.

2. Pin Descriptions and Package Pinouts

Table 2-1. Pin Descriptions

| Symbol | Name and Function | Asserted State | Type |
|---|---|----------------|--------------|
| $\overline{\text{CS}}$ | <p>CHIP SELECT: Asserting the $\overline{\text{CS}}$ pin selects the device. When the $\overline{\text{CS}}$ pin is deasserted, the device is deselected and normally be placed in standby mode.</p> <p>A high-to-low transition on the $\overline{\text{CS}}$ pin is required to start an operation; a low-to-high transition is required to end an operation. When ending an internally self-timed operation, such as a program or erase cycle, the device does not enter the standby mode until the operation is complete.</p> | Low | Input |
| SCK | <p>SERIAL CLOCK: This pin provides a clock to the device. Command, address, and input data present on the SI pin is latched in on the rising edge of SCK, while output data on the SO pin is clocked out on the falling edge of SCK.</p> | - | Input |
| SI (I/O ₀) | <p>SERIAL INPUT: The SI pin is used for all data input, including command and address sequences. Data on the SI pin is always latched in on the rising edge of SCK.</p> <p>With the Dual-Output and Quad-Output Read commands, the SI pin becomes an output pin (I/O₀) in conjunction with other pins to allow two or four bits of data (on I/O₃₋₀) to be clocked in on every falling edge of SCK.</p> <p>Data present on the SI pin is ignored whenever the device is deselected ($\overline{\text{CS}}$ is deasserted).</p> | - | Input/Output |
| SO (I/O ₁) | <p>SERIAL OUTPUT: Data on the SO pin is clocked out on the falling edge of SCK.</p> <p>With the Dual-Output Read commands, the SO pin remains an output pin (I/O₀) in conjunction with other pins to allow two bits of data (on I/O₁₋₀) to be clocked in on every falling edge of SCK.</p> <p>The SO pin is in a high-impedance state whenever the device is deselected ($\overline{\text{CS}}$ is deasserted).</p> | - | Input/Output |
| $\overline{\text{WP}}$ (I/O ₂) | <p>WRITE PROTECT: The $\overline{\text{WP}}$ pin controls the hardware locking feature of the device.</p> <p>With the Quad-Input Byte/Page Program command, the $\overline{\text{WP}}$ pin becomes an input pin (I/O₂) and, along with other pins, allows four bits (on I/O₃₋₀) of data to be clocked in on every rising edge of SCK. With the Quad-Output Read commands, the $\overline{\text{WP}}$ Pin becomes an output pin (I/O₂) in conjunction with other pins to allow four bits of data (on I/O₃₋₀) to be clocked in on every falling edge of SCK.</p> <p>The $\overline{\text{WP}}$ pin is internally pulled-high and can be left floating if hardware-controlled protection is not used; however, it is recommended that the $\overline{\text{WP}}$ pin also be externally connected to V_{CC} whenever possible.</p> | - | Input/Output |

Table 2-1. Pin Descriptions (continued)

| Symbol | Name and Function | Asserted State | Type |
|--|--|----------------|--------------|
| $\overline{\text{HOLD}}$ (I/O ₃) | <p>HOLD: The $\overline{\text{HOLD}}$ pin temporarily pauses serial communication without deselecting or resetting the device. While the $\overline{\text{HOLD}}$ pin is asserted, transitions on the SCK pin and data on the SI pin are ignored, and the SO pin is in a high-impedance state.</p> <p>The $\overline{\text{CS}}$ pin must be asserted, and the SCK pin must be in the low state, for a Hold condition to start. A Hold condition pauses serial communication only and does not have an affect on internally self-timed operations, such as a program or erase cycle. See “Hold Function”, on page 46, for additional details on this operation.</p> <p>With the Quad-Input Byte/Page Program command, the $\overline{\text{HOLD}}$ pin becomes an input pin (I/O₃) and, along with other pins, allows four bits (on I/O_{3,0}) of data to be clocked in on every rising edge of SCK. With the Quad-Output Read commands, the $\overline{\text{HOLD}}$ pin becomes an output pin (I/O₃) in conjunction with other pins to allow four bits of data (on I/O_{3,0}) to be clocked in on every falling edge of SCK.</p> <p>The $\overline{\text{HOLD}}$ pin is internally pulled-high and can be left floating if the Hold function is not used. It is recommended, however, that the $\overline{\text{HOLD}}$ pin is externally connected to V_{CC} whenever possible.</p> | - | Input/Output |
| V _{CC} | DEVICE POWER SUPPLY: The V _{CC} pin supplies the source voltage to the device. | - | Power |
| GND | GROUND: The ground reference for the power supply. Connect GND to the system ground. | - | Power |

Figure 2-1. 8-SOIC (0.150” and 0.208”) — Top View

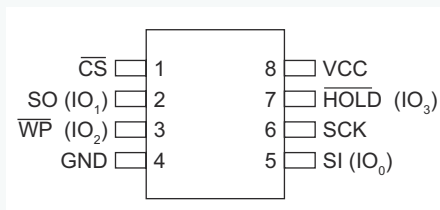
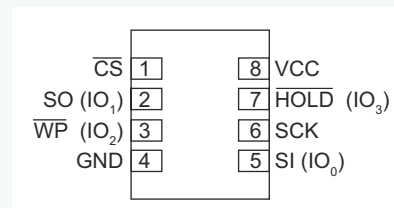
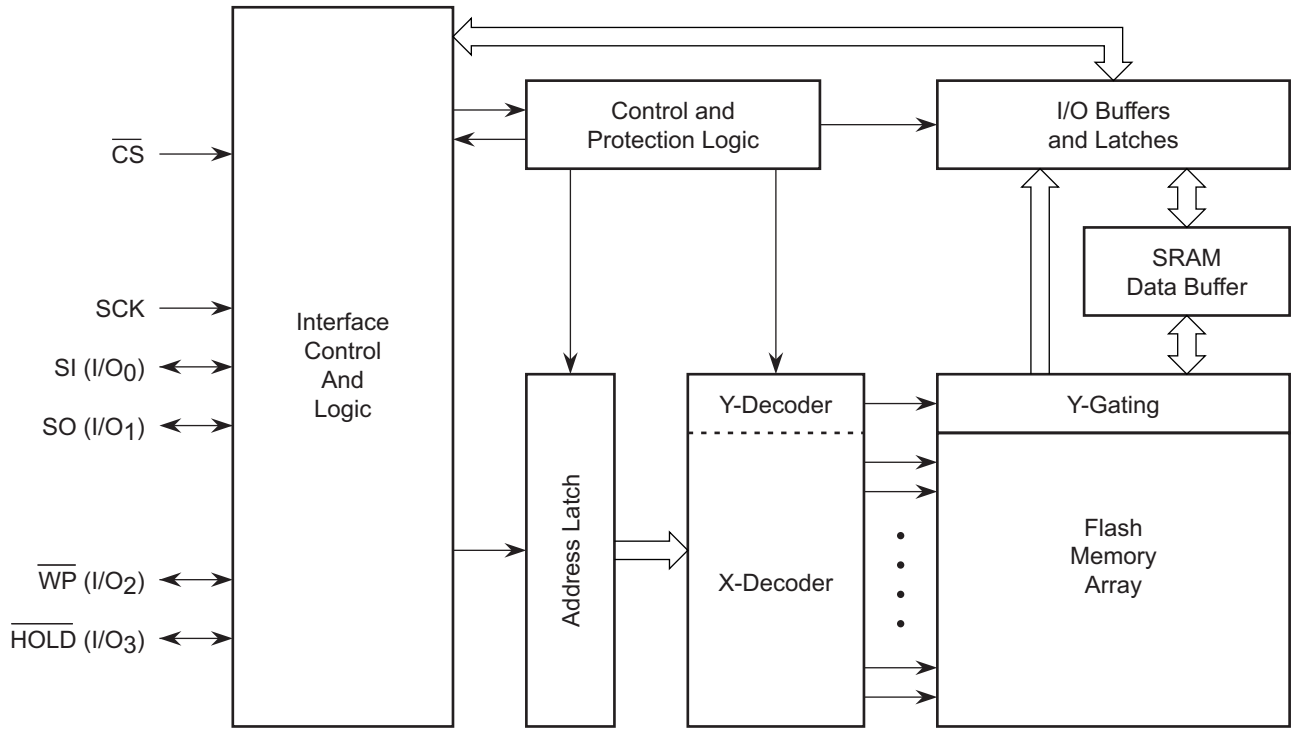


Figure 2-2. 8-UDFN — Top View



3. Block Diagram

Figure 3-1. Block Diagram



Note: I/O₃₋₀ pin naming convention is used for Dual-I/O and Quad-I/O commands.

4. Memory Array

To provide the greatest flexibility, the memory array of the AT25SF321B can be erased in four levels of granularity, including a full-chip erase. The size of the erase blocks is optimized for both code and data storage applications, allowing both code and data segments to reside in their own erase regions. The Memory Architecture Diagram illustrates each erase level.

Table 4-1. Memory Architecture Diagram: Block Erase Detail

| 64-kbyte Block Erase (D8h) | 32-kbyte Block Erase (52h) | 4-kbyte Block Erase (20h) | Block Address Range |
|---|--|--|--|
| 64 kbytes (block 63) | 32 kbytes (block 127) | 4 kbytes (Block 1023) | 3FF000h - 3FFFFFFh |
| | | 4 kbytes (B1022) | 3FE000h - 3FEFFFh |
| | | 4 kbytes (B1021) | 3FD000h - 3FDFFFh |
| | | 4 kbytes (B1020) | 3FC000h - 3FCFFFh |
| | | 4 kbytes (B1019) | 3FB000h - 3FBFFFh |
| | | 4 kbytes (B1018) | 3FA000h - 3FAFFFh |
| | | 4 kbytes (B1017) | 3F9000h - 3F9FFFh |
| | | 4 kbytes (B1016) | 3F8000h - 3F8FFFh |
| | 32 kbytes (block 126) | 4 kbytes (B1015) | 3F7000h - 3F7FFFh |
| | | 4 kbytes (B1014) | 3F6000h - 3F6FFFh |
| | | 4 kbytes (B1013) | 3F5000h - 3F5FFFh |
| | | 4 kbytes (B1012) | 3F4000h - 3F4FFFh |
| | | 4 kbytes (B1011) | 3F3000h - 3F3FFFh |
| | | 4 kbytes (B1010) | 3F2000h - 3F2FFFh |
| | | 4 kbytes (B1009) | 3F1000h - 3F1FFFh |
| | | 4 kbytes (B1008) | 3F0000h - 3F0FFFh |
| 64 kbytes (block 62) to 64 kbytes (block 1) | 32 kbytes (block 125) to 32 kbytes (block 2) | 4 kbytes (B1007) to 4 kbytes (B16) | 3EF000h - 3EFFFFh to 010000h - 010FFFh |
| 64 kbytes (block 0) | 32 kbytes (block 1) | 4 kbytes (B15) | 00F000h - 00FFFFh |
| | | 4 kbytes (B14) | 00E000h - 00EFFFh |
| | | 4 kbytes (B13) | 00D000h - 00DFFFh |
| | | 4 kbytes (B12) | 00C000h - 00CFFFh |
| | | 4 kbytes (B11) | 00B000h - 00BFFFh |
| | | 4 kbytes (B10) | 00A000h - 00AFFFh |
| | | 4 kbytes (B9) | 009000h - 009FFFh |
| | | 4 kbytes (B8) | 008000h - 008FFFh |
| | 32 kbytes (block 0) | 4 kbytes (B7) | 007000h - 007FFFh |
| | | 4 kbytes (B6) | 006000h - 006FFFh |
| | | 4 kbytes (B5) | 005000h - 005FFFh |
| | | 4 kbytes (B4) | 004000h - 004FFFh |
| | | 4 kbytes (B3) | 003000h - 003FFFh |
| | | 4 kbytes (B2) | 002000h - 002FFFh |
| | | 4 kbytes (B1) | 001000h - 001FFFh |
| | | 4 kbytes (B0) | 000000h - 000FFFh |

Table 4-2. AT25SF321B Device Block Memory Map — Page Erase and Page Program

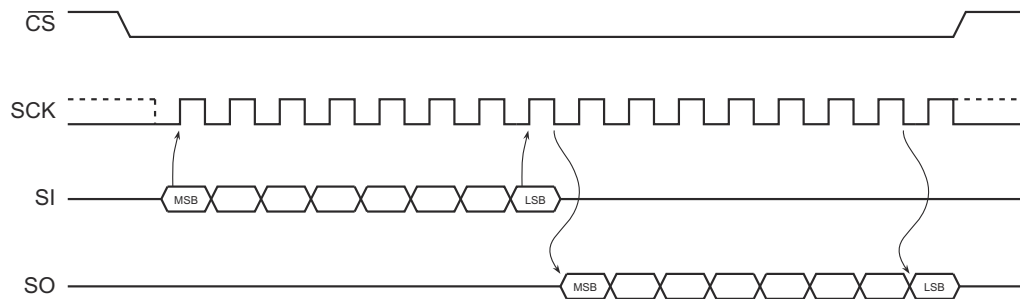
| 4 -kbyte Blocks | 256 Byte Page Erase | 1 - 256 Byte Page Program |
|--|----------------------------|----------------------------------|
| 4 kbytes (Block 1023) | 256 Bytes | 3FFF00h - 3FFFFFFh |
| 4 kbytes (B1022) | 256 Bytes | 3FFE00h - 3FFEFFh |
| 4 kbytes (B1021) | 256 Bytes | 3FFD00h - 3FFDFFh |
| 4 kbytes (B1020) | 256 Bytes | 3FFC00h - 3FFCFFh |
| 4 kbytes (B1019) | 256 Bytes | 3FFB00h - 3FFBFFh |
| 4 kbytes (B1018) | 256 Bytes | 3FFA00h - 3FFAFFh |
| 4 kbytes (B1017) | 256 Bytes | 3FF900h - 3FF9FFh |
| 4 kbytes (B1016) | 256 Bytes | 3FF800h - 3FF8FFh |
| 4 kbytes (B1015) | 256 Bytes | 3FF700h - 3FF7FFh |
| 4 kbytes (B1014) | 256 Bytes | 3FF600h - 3FF6FFh |
| 4 kbytes (B1013) | 256 Bytes | 3FF500h - 3FF5FFh |
| 4 kbytes (B1012) | 256 Bytes | 3FF400h - 3FF4FFh |
| 4 kbytes (B1011) | 256 Bytes | 3FF300h - 3FF3FFh |
| 4 kbytes (B1010) | 256 Bytes | 3FF200h - 3FF2FFh |
| 4 kbytes (B1009) | 256 Bytes | 3FF100h - 3FF1FFh |
| 4 kbytes (B1008) | 256 Bytes | 3FF000h - 3FF0FFh |
| 4 kbytes (B1007) to 4 kbytes (B16) | ⋮ | ⋮ |
| 4 kbytes (B15) | 256 Bytes | 000F00h - 000FFFh |
| 4 kbytes (B14) | 256 Bytes | 000E00h - 000EFFh |
| 4 kbytes (B13) | 256 Bytes | 000D00h - 000DFFh |
| 4 kbytes (B12) | 256 Bytes | 000C00h - 000CFFh |
| 4 kbytes (B11) | 256 Bytes | 000B00h - 000BFFh |
| 4 kbytes (B10) | 256 Bytes | 000A00h - 000AFFh |
| 4 kbytes (B9) | 256 Bytes | 000900h - 0009FFh |
| 4 kbytes (B8) | 256 Bytes | 000800h - 0008FFh |
| 4 kbytes (B7) | 256 Bytes | 000700h - 0007FFh |
| 4 kbytes (B6) | 256 Bytes | 000600h - 0006FFh |
| 4 kbytes (B5) | 256 Bytes | 000500h - 0005FFh |
| 4 kbytes (B4) | 256 Bytes | 000400h - 0004FFh |
| 4 kbytes (B3) | 256 Bytes | 000300h - 0003FFh |
| 4 kbytes (B2) | 256 Bytes | 000200h - 0002FFh |
| 4 kbytes (B1) | 256 Bytes | 000100h - 0001FFh |
| 4 kbytes (B0) | 256 Bytes | 000000h - 0000FFh |

5. Device Operation

The AT25SF321B is controlled by a set of instructions sent from a host controller, SPI Master. The SPI Master communicates with the AT25SF321B through the SPI bus, which consists of four pins: Chip Select (\overline{CS}), Serial Clock (SCK), Serial Input (SI), and Serial Output (SO).

The SPI protocol defines a total of four modes of operation (mode 0, 1, 2, or 3). The AT25SF321B supports the two most common modes, SPI modes 0 and 3. For these modes, data is latched in on the rising edge of SCK and output on the falling edge of SCK.

Figure 5-1. SPI Mode 0 and 3



5.1 Dual Output Read (1-1-2)

The AT25SF321B features a Dual-Output Read mode that allows two bits of data to be clocked out of the device every clock cycle to improve throughput. To do this, both the SI and SO pins are used as outputs for the transfer of data bytes. With the Dual-Output Read Array command, the SI pin becomes an output along with the SO pin.

5.2 Dual I/O Read (1-2-2)

The AT25SF321B supports Dual I/O (1-2-2) transfers, which enhance throughput over the standard SPI mode. This mode transfers the command on the SI pin, but the address and data are transferred on the SI and SO pins. This means that only half the number of clocks are required to transfer the address and data.

5.3 Quad Output Read (1-1-4)

The AT25SF321B features a Quad-Output Read mode that allows four bits of data to be clocked out of the device every clock cycle to improve throughput. To do this, the SI, SO, \overline{WP} , and \overline{HOLD} pins are used as outputs for the transfer of data bytes. With the Quad-Output Read Array command, the SI, \overline{WP} , and \overline{HOLD} pins become outputs along with the SO pin.

5.4 Quad I/O Read (1-4-4)

The AT25SF321B supports Quad I/O (1-4-4) transfers, which enhance throughput over the standard SPI mode. This mode transfers the command on the SI pin, but the address and data are transferred on the SI, SO, \overline{WP} , and \overline{HOLD} pins. This means that only a quarter of the number of clocks are required to transfer the address and data. With the Quad I/O Read Array command, the SI, \overline{WP} , and \overline{HOLD} and SO pins become inputs during the address transfer, and switch to outputs during the data transfer.

6. Commands and Addressing

A valid instruction or operation must be started by asserting the \overline{CS} pin. After that, the host controller must clock out a valid 8-bit opcode on the SPI bus. Following the opcode, instruction-dependent information, such as address and data bytes, can be clocked out by the host controller. All opcode, address, and data bytes are transferred with the most-significant bit (MSB) first. An operation is ended by deasserting the \overline{CS} pin.

Opcodes not supported by the AT25SF321B are ignored, and no operation is started. The device continues to ignore any data presented on the SI pin until the start of the next operation (\overline{CS} pin deasserted, then reasserted). If the \overline{CS} pin is deasserted before complete opcode and address information is sent to the device, the device simply returns to the idle state and waits for the next operation.

Device addressing requires three bytes, representing address bits A23-A0, to be sent. Since the upper address limit of the AT25SF321B memory array is 3FFFFFFh, address bits A23-A22 are always ignored by the device.

Table 6-1. AT25SF321B Command Table

| Command Name | Command Opcode | Bus Transfer Type (OP-AD-DA) ⁽¹⁾ | Mode Bit Present | Mode Bit Clocks | Wait Cycle Dummy Clocks | # of Data Bytes |
|--------------------------------------|----------------|---|------------------|-----------------|-------------------------|-----------------|
| System Commands | | | | | | |
| Enable Reset | 66h | 1-0-0 | N | 0 | 0 | 0 |
| Reset Device | 99h | 1-0-0 | N | 0 | 0 | 0 |
| Deep Power-down | B9h | 1-0-0 | N | 0 | 0 | 0 |
| Release Power-down | ABh | 1-0-0 | N | 0 | 0 | 0 |
| Read Commands | | | | | | |
| Normal Read Data | 03h | 1-1-1 | N | 0 | 0 | 1+ |
| Fast Read | 0Bh | 1-1-1 | N | 0 | 8 | 1+ |
| Dual Output Fast read | 3Bh | 1-1-2 | N | 0 | 8 | 1+ |
| Dual I/O Fast read | BBh | 1-2-2 | Y | 4 | 0 | 1+ |
| Dual I/O Fast read (Continuous Mode) | BBh | 0-2-2 | Y | 4 | 0 | 1+ |
| Quad Output Fast read | 6Bh | 1-1-4 | N | 0 | 8 | 1+ |
| Quad I/O Fast read | EBh | 1-4-4 | Y | 2 | 4 | 1+ |
| Quad I/O Fast read (Continuous Mode) | EBh | 0-4-4 | Y | 2 | 4 | 1+ |
| Word Read Quad I/O | E7h | 1-4-4 | Y | 2 | 2 | 1+ |
| Word Read Quad I/O (Continuous Mode) | E7h | 0-4-4 | Y | 2 | 2 | 1+ |
| Set Burst With Wrap | 77h | 1-0-4 | N | 0 | 6 | 1, D[6:4] |
| Write Commands | | | | | | |
| Write Enable | 06h | 1-0-0 | N | 0 | 0 | 0 |
| Volatile SR Write Enable | 50h | 1-0-0 | N | 0 | 0 | 0 |
| Write Disable | 04h | 1-0-0 | N | 0 | 0 | 0 |
| Program Commands | | | | | | |

Table 6-1. AT25SF321B Command Table (continued)

| Command Name | Command Opcode | Bus Transfer Type (OP-AD-DA) ⁽¹⁾ | Mode Bit Present | Mode Bit Clocks | Wait Cycle Dummy Clocks | # of Data Bytes |
|--|----------------|---|------------------|-----------------|-------------------------|-----------------|
| Page Program | 02h | 1-1-1 | N | 0 | 0 | 1+ |
| Quad Page Program | 32h | 1-1-4 | N | 0 | 0 | 1+ |
| Erase Commands | | | | | | |
| Block Erase (4 kbytes) | 20h | 1-1-0 | N | 0 | 0 | 0 |
| Block Erase (32 kbytes) | 52h | 1-1-0 | N | 0 | 0 | 0 |
| Block Erase (64 kbytes) | D8h | 1-1-0 | N | 0 | 0 | 0 |
| Chip Erase | C7h/60h | 1-0-0 | N | 0 | 0 | 0 |
| Suspend/Resume Commands | | | | | | |
| Program/Erase Suspend | 75h | 1-0-0 | N | 0 | 0 | 0 |
| Program/Erase Resume | 7Ah | 1-0-0 | N | 0 | 0 | 0 |
| Status Register Commands | | | | | | |
| Read Status Register 1 | 05h | 1-0-1 | N | 0 | 0 | 1 |
| Read Status Register 2 | 35h | 1-0-1 | N | 0 | 0 | 1 |
| Read Status Register 3 | 15h | 1-0-1 | N | 0 | 0 | 1 |
| Write Status Register 1 | 01h | 1-0-1 | N | 0 | 0 | 1 |
| Write Status Register 2 | 31h | 1-0-1 | N | 0 | 0 | 1 |
| Write Status Register 3 | 11h | 1-0-1 | N | 0 | 0 | 1 |
| Device Information Commands | | | | | | |
| Manufacturer/Device ID | 90h | 1-1-1 | N | 0 | 0 | 2 |
| Mfgr./Device ID Dual I/O | 92h | 1-2-2 | N | 0 | 4 | 2 |
| Mfgr./Device ID Quad I/O | 94h | 1-4-4 | N | 0 | 4 | 2 |
| Read JEDEC ID | 9Fh | 1-0-1 | N | 0 | 0 | 3 |
| Read Serial Flash Discoverable Parameter | 5Ah | 1-1-1 | N | 0 | 8 | 1+ |
| OTP Commands | | | | | | |
| Erase Security Registers | 44h | 1-1-0 | N | 0 | 0 | 0 |
| Program Security Registers | 42h | 1-1-1 | N | 0 | 0 | 1+ |
| Read Security Registers | 48h | 1-1-1 | N | 0 | 8 | 1+ |
| Read Unique ID Number | 4Bh | 1-0-1 | N | 0 | 32 | 1+ |

1. OP = Opcode (command number), AD = Address. DA = Data. 0 indicates the corresponding transfer does not occur in that command. 1 indicates the transfer does occur. For example, 1-0-0 indicates a command transfer occurs, but no address or data transfers occur.
 Op: Opcode or Commands (8-bits): 0 => No Opcode [continuous Read], 1 => 8 clocks for Opcode, 2 => 4 clocks for Opcode, 4 => 2 clocks for opcode.
 AD: Address (24-bits) Only: 0 => No address, Opcode only operation, 1 => 24 clocks for Address, 2 => 12 clocks for address, 4 => 6 clocks for address.
 AD: Address (24-bits) + Mode (8-bits): 2 => 12 clocks for address, 4 clocks for mode [BBh only], 4 => 6 clocks for address, 2 clocks for mode [EBh and E7h].
 DA: Data(8-bits): 1 => 8 clocks for byte, 2 => 4 clocks for byte, 4 => 2 clocks for byte.

7. Read Commands

7.1 Read Array (0Bh and 03h)

The Read Array command can be used to sequentially read a continuous stream of data from the device by providing the clock pin once the initial starting address is specified. The device incorporates an internal address counter that automatically increments every clock cycle.

To perform the Read Array operation, the \overline{CS} pin first must be asserted, and the appropriate opcode (0Bh or 03h) must be clocked into the device. After the opcode has been clocked in, the three address bytes must be clocked in to specify the starting address location of the first byte to read within the memory array. If the 0Bh opcode is used for the Read Array operation, an additional dummy byte must be clocked into the device after the three address bytes.

After the three address bytes (and the dummy byte, if using opcode 0Bh) have been clocked in, additional clock cycles result in data being output on the SO pin. The data is always output with the MSB of a byte first. When the last byte (3FFFFFFh) of the memory array has been read, the device continues reading back at the beginning of the array (000000h). No delays are incurred when wrapping around from the end of the array to the beginning of the array.

Deasserting the \overline{CS} pin terminates the read operation and puts the SO pin into high-impedance state. The \overline{CS} pin can be deasserted at any time and does not require a full byte of data be read.

Figure 7-1. Read Array - 03h Opcode

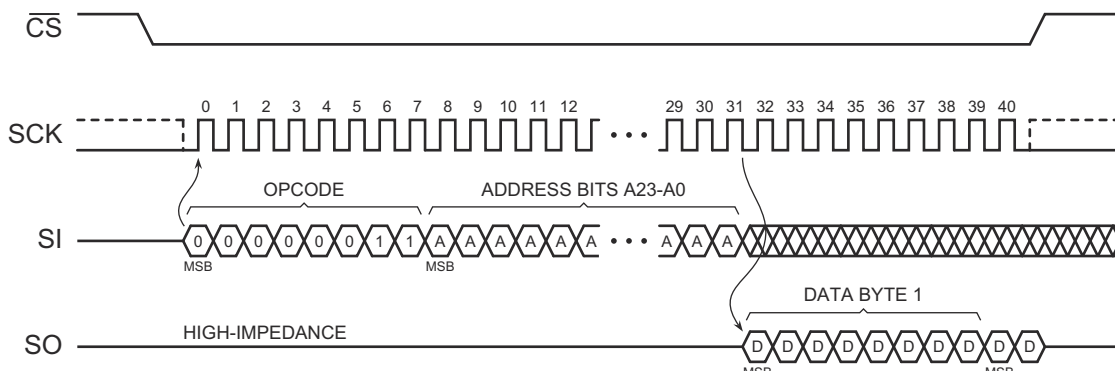
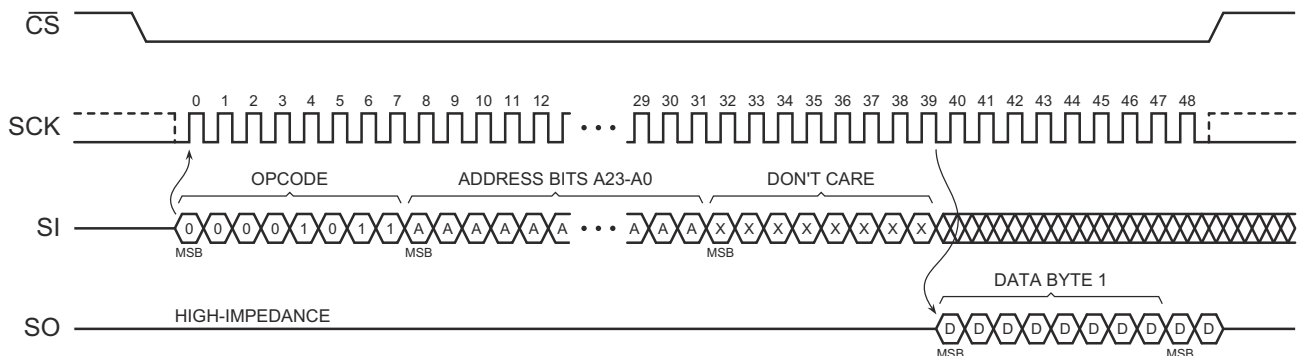


Figure 7-2. Read Array - 0Bh Opcode



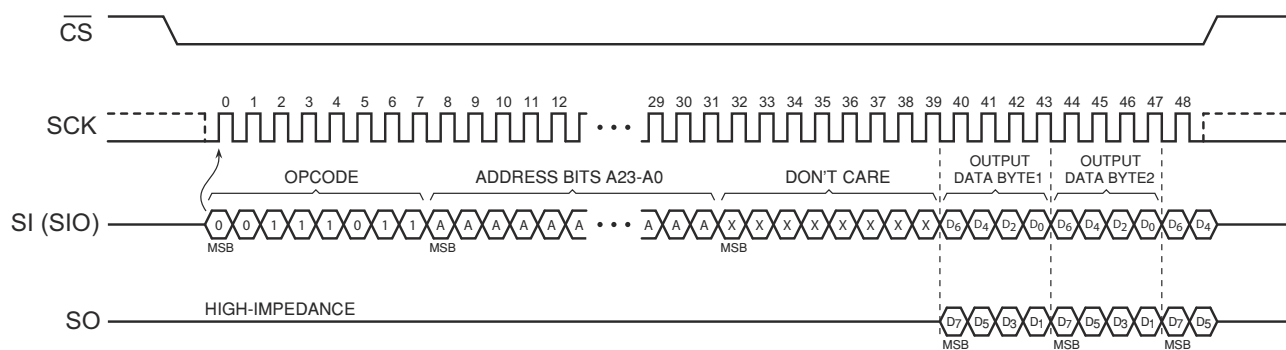
7.2 Dual-Output Read Array (3Bh)

The Dual-Output Read Array command is similar to the standard Read Array command and can be used to sequentially read a continuous stream of data from the device by providing the clock pin once the initial starting address has been specified. Unlike the standard Read Array command, the Dual-Output Read Array command allows two bits of data to be clocked out of the device on every clock cycle, rather than just one.

To perform the Dual-Output Read Array operation, the \overline{CS} pin must first be asserted; then, the opcode 3Bh must be clocked into the device. After the opcode has been clocked in, the three address bytes must be clocked in to specify the location of the first byte to read within the memory array. Following the three address bytes, a single dummy byte also must be clocked into the device.

After the three address bytes and the dummy byte have been clocked in, additional clock cycles output data on both the SO and SI pins. The data is output with the MSB of a byte first, and the MSB is output on the SO pin. During the first clock cycle, bit seven of the first data byte is output on the SO pin, while bit six of the same data byte is output on the SI pin. During the next clock cycle, bits five and four of the first data byte are output on the SO and SI pins, respectively. The sequence continues with each byte of data being output after every four clock cycles. When the last byte (3FFFFFFh) of the memory array has been read, the device continues reading from the beginning of the array (000000h). There are no delays when wrapping around from the end of the array to the beginning of the array. Deasserting the \overline{CS} pin terminates the read operation and puts the SO and SI pins into a high-impedance state. The \overline{CS} pin can be deasserted at any time and does not require that a full byte of data be read.

Figure 7-3. Dual-Output Read Array



7.3 Dual-I/O Fast Read Array (BBh)

The Dual-I/O Fast Read Array command is similar to the Dual-Output Read Array command and can be used to sequentially read a continuous stream of data from the device by providing the clock pin once the initial starting address with two bits of address on each clock and two bits of data on every clock cycle.

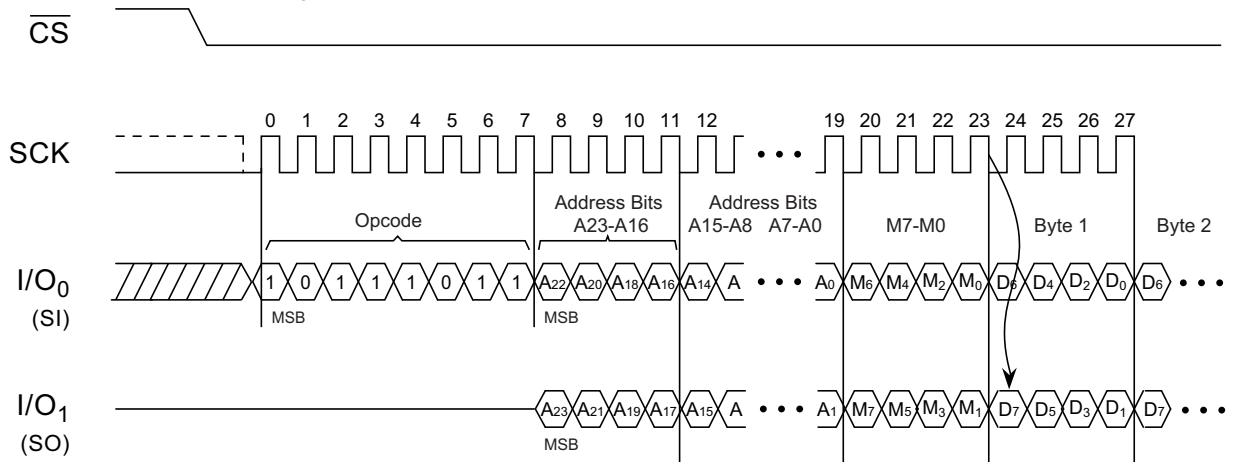
To perform the Dual-I/O Fast Read Array operation, the \overline{CS} pin must first be asserted; then, the opcode BBh must be clocked into the device. After the opcode has been clocked in, the three address bytes must be clocked in to specify the location of the first byte to read within the memory array. Following the three address bytes, a single mode byte also must be clocked into the device.

After the three address bytes and the mode byte have been clocked in, additional clock cycles output data on both the SO and SI pins. The data is always output with the MSB of a byte first, and the MSB is always output on the SO pin. During the first clock cycle, bit seven of the first data byte is output on the SO pin, while bit six of the same data byte is output on the SI pin. During the next clock cycle, bits five and four of the first data byte are output on the SO and SI pins, respectively. The sequence continues with each byte of data output after every four clock cycles.

When the last byte (3FFFFFFh) of the memory array has been read, the device continues reading from the beginning of the array (000000h). No delays are incurred when wrapping around from the end of the array to the

beginning of the array. Deasserting the \overline{CS} pin terminates the read operation and puts the SO and SI pins into a high-impedance state. The \overline{CS} pin can be deasserted at any time and does not require that a full byte of data be read.

Figure 7-4. Dual-I/O Fast Read Array (Initial command or previous M5, M4 ≠ 1,0)



7.3.1 Dual-I/O Fast Read Array (BBh) with Continuous Read Mode

The Fast Read Dual I/O command can further reduce instruction overhead through setting the Continuous Read Mode bits (M7-0) after the input Address bits (A23-0), as shown in Figure 7-5. The upper nibble of M7-4 controls the length of the next Fast Read Dual I/O command through the inclusion, or exclusion, of the first byte instruction code. The lower nibble bits of M3-0 are don't care ("x"). However, the I/O pins must be high-impedance prior to the falling edge of the first data out clock. If the "Continuous Read Mode" bits M5-4 = (1,0), the next Fast Read Dual I/O command (after \overline{CS} is raised and then lowered) does not require the BBh instruction code. This reduces the command sequence by eight clocks and allows the Read address to be immediately entered after \overline{CS} is asserted low. If the "Continuous Read Mode" bits M5-4 do not equal to (1,0), the next command (after \overline{CS} is raised and then lowered) requires the first byte instruction code, thus returning to normal operation. A Continuous Read Mode Reset command can also be used to reset M7-0 before issuing normal commands.

Figure 7-5. Dual-I/O Fast Read Array (Previous command set M5, M4 = 1,0)

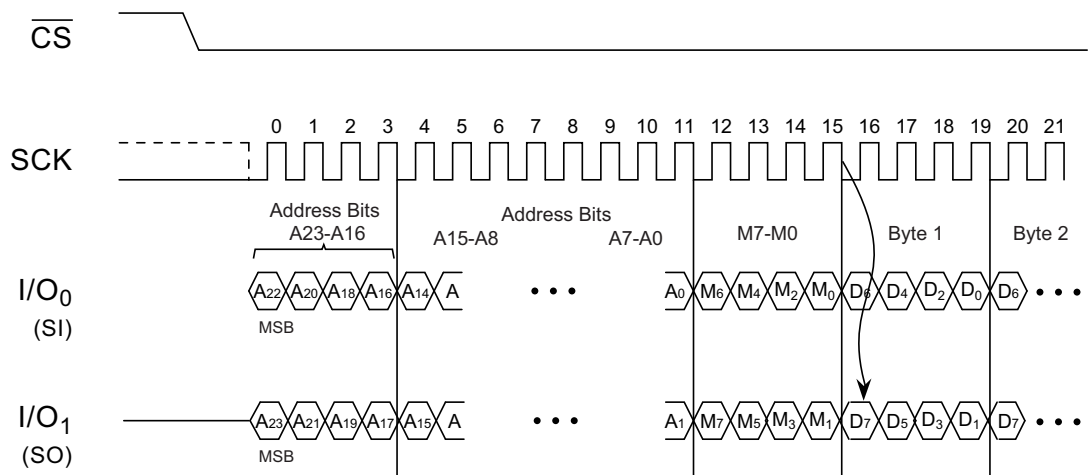
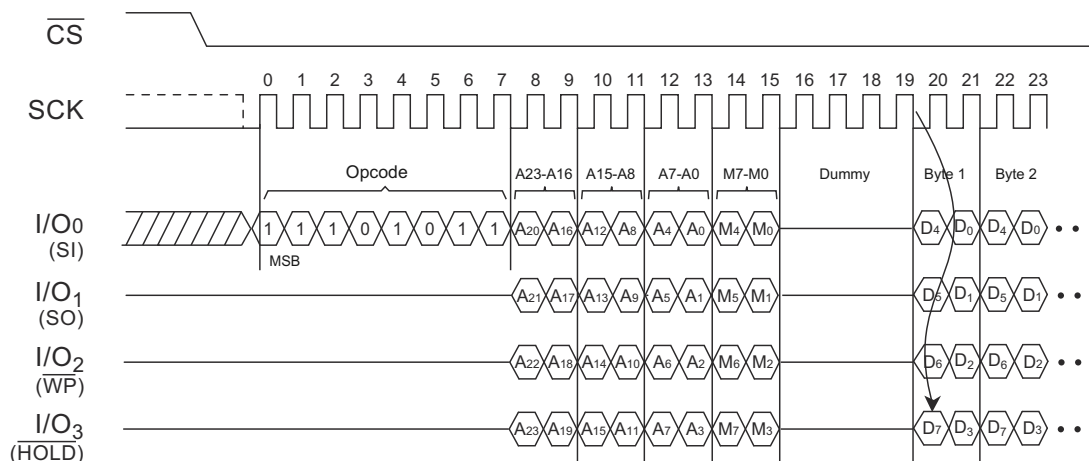


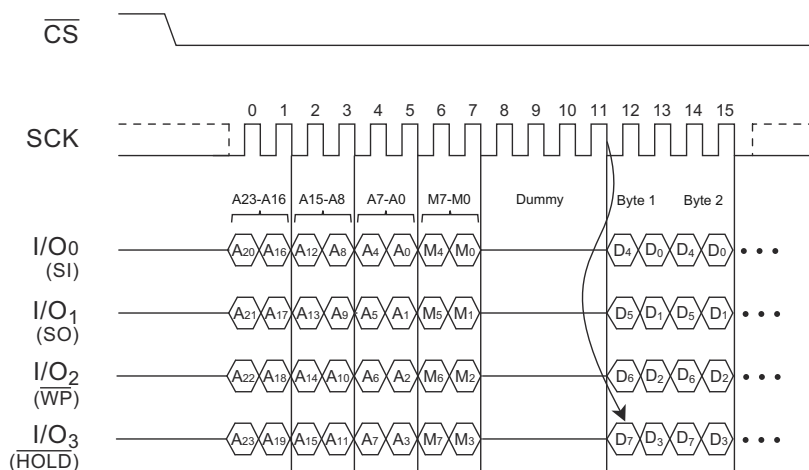
Figure 7-7. Quad-I/O Read Array (Initial command or previous M5, M4 ≠ 1,0)



7.5.1 Quad-I/O Fast Read Array (EBh) with Continuous Read Mode

The Fast Read Quad I/O command can further reduce instruction overhead through setting the Continuous Read Mode bits (M7-0) after the input Address bits (A23-0), as shown in Figure 7-7. The upper nibble (M7-4) of the Continuous Read Mode bits controls the length of the next Fast Read Quad I/O command through the inclusion, or exclusion, of the first byte instruction code. The lower nibble bits (M3-0) of the Continuous Read Mode bits don't care. However, the IO pins must be high-impedance prior to the falling edge of the first data out clock. If the Continuous Read Mode bits M5-4 = (1,0), the next Quad-I/O Read Array command (after \overline{CS} is raised and then lowered) does not require the EBh instruction code, as shown in Figure 7-8. This reduces the command sequence by eight clocks and allows the Read address to be immediately entered after \overline{CS} is asserted low. If the *Continuous Read Mode* bits M5-4 do not equal to (1,0), the next command (after \overline{CS} is raised and then lowered) requires the first byte instruction code, thus returning to normal operation. A Continuous Read Mode Reset command can also be used to reset M7-0 before issuing normal commands.

Figure 7-8. Quad I/O Read Array with Continuous Read Mode (Previous Command Set M5, M4 = 1,0)



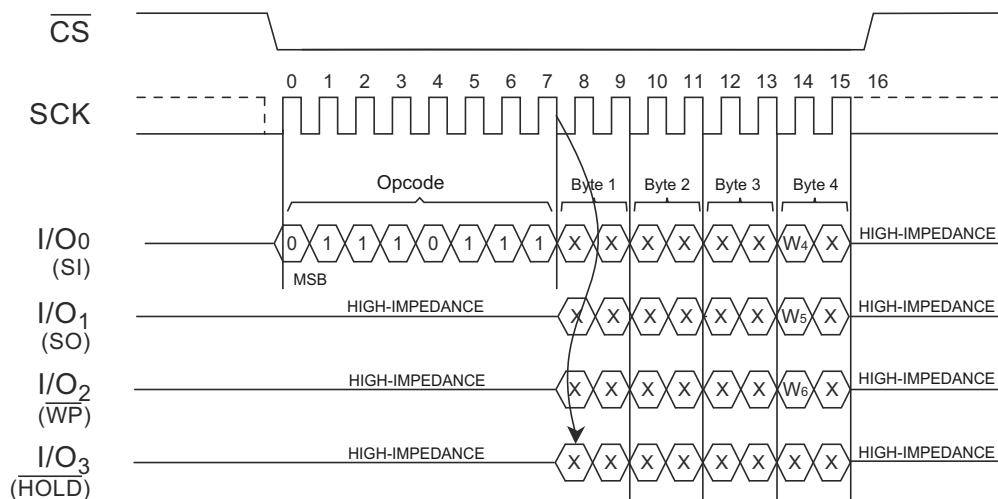
7.5.2 Set Burst with Wrap (77h)

The Set Burst with Wrap instruction is used in conjunction with the Quad I/O Fast Read and Quad I/O Word Fast Read instruction to access a fixed length (8-, 16-, 32-, or 64-byte) section within a 256-byte page in standard SPI mode (see Table 7-1 and Figure 7-9).

Table 7-1. Set Burst with Wrap Instruction Functions

| W6, W5 | W4 = 0 | | W4 = 1 (Default) | |
|--------|-------------|-------------|------------------|-------------|
| | Wrap Around | Wrap Length | Wrap Around | Wrap Length |
| 0 0 | Yes | 8 bytes | No | N/A |
| 0 1 | Yes | 16 bytes | No | N/A |
| 1 0 | Yes | 32 bytes | No | N/A |
| 1 1 | Yes | 64 bytes | No | N/A |

Figure 7-9. Set Burst with Wrap Timing (SPI Mode)



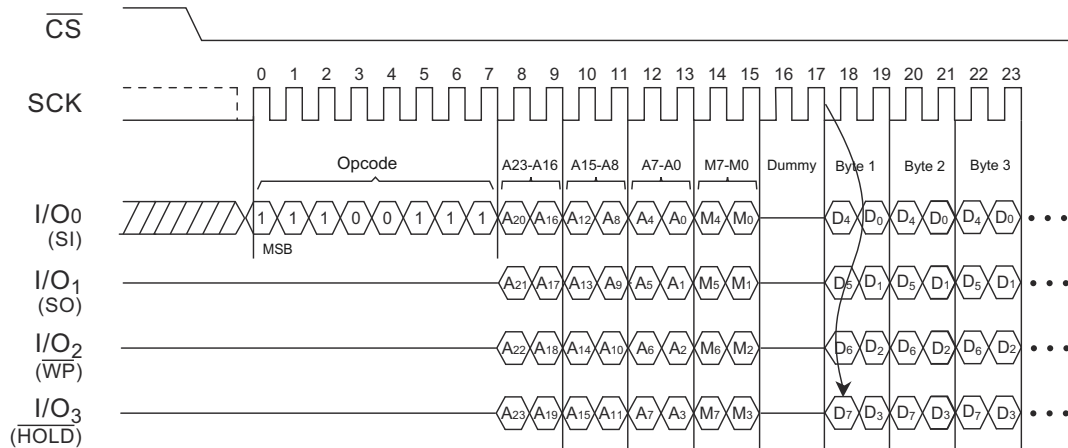
The Set Burst with Wrap instruction sequence is: $\overline{\text{CS}}$ goes low → Send Set Burst with Wrap instruction → Send 24 Dummy bits → Send 8 “Wrap bits” → $\overline{\text{CS}}$ goes high.

If W6-4 is set by a Set Burst with Wrap instruction, all the following “Fast Read Quad I/O” and “Word Read Quad I/O” instructions use the W6-4 setting to access the 8-, 16-, 32-, or 64-byte section within any page. To exit the “Wrap Around” function and return to normal read operation, issue another Set Burst with Wrap instruction to set W4=1. The default value of W4 at power-on is 1.

7.6 Quad I/O Word Fast Read (E7h)

The Quad I/O Word Fast Read instruction is similar to the Quad Fast Read instruction, except that the lowest address bit (A0) must equal 0 and have two dummy clock cycles. Figure 7-10 shows the instruction sequence; the first byte addressed can be at any location. The address is automatically incremented to the next higher address after each byte of data is shifted out. The Quad Enable bit (QE) of the Status Register (S9) must be set to enable.

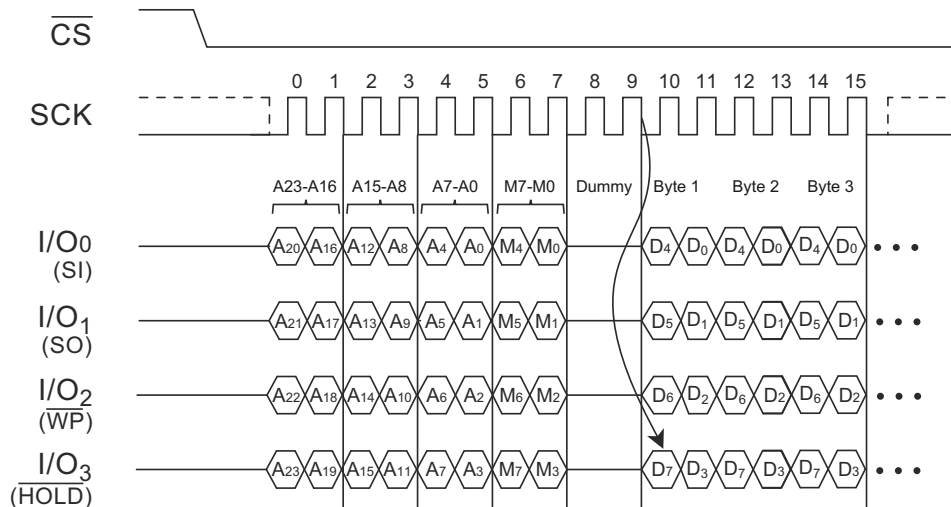
Figure 7-10. Quad I/O Word Fast Read Timing (Initial Command Set M5, M4 ≠ 1,0) SPI Mode



7.6.1 Quad I/O Word Fast Read with “Continuous Read Mode”

The Quad I/O Word Fast Read instruction can further reduce instruction overhead by setting the “Continuous Read Mode” bits (M7-0) after input of the Address bits (A23-0). If the “Continuous Read Mode” bits (M5-4) = (1, 0), the next Quad I/O Fast Read instruction (after \overline{CS} is raised and then lowered) does not require the E7h instruction code. Figure 7-11 shows the instruction sequence. If the “Continuous Read Mode” bits M5-4 do not equal to (1,0), the next instruction requires the first E7h instruction code, thus returning to normal operation. A “Continuous Read Mode” Reset command also can be used to reset (M5-4) before issuing normal command.

Figure 7-11. Quad I/O Word Fast Read Timing (Previous Command Set M5, M4 = 1,0) SPI Mode



7.6.2 Quad I/O Word Fast Read with 8-, 16-, 32-, 64-Byte Wrap Around in Standard SPI Mode

The Quad I/O Fast Read instruction also can be used to access a specific portion within a page by issuing a Set Burst with Wrap (77h) instruction prior to E7h. The Set Burst with Wrap (77h) instruction can enable or disable the Wrap Around feature for the following E7h instructions. When enabled, the data accessed can be limited to an 8-, 16-, 32-, or 64-byte section of a 256-byte page. The output data starts at the initial address specified in the instruction when it reaches the ending boundary of the 8-, 16-, 32-, or 64-byte section. The output wraps around to the beginning boundary automatically until \overline{CS} is pulled high to terminate the instruction.

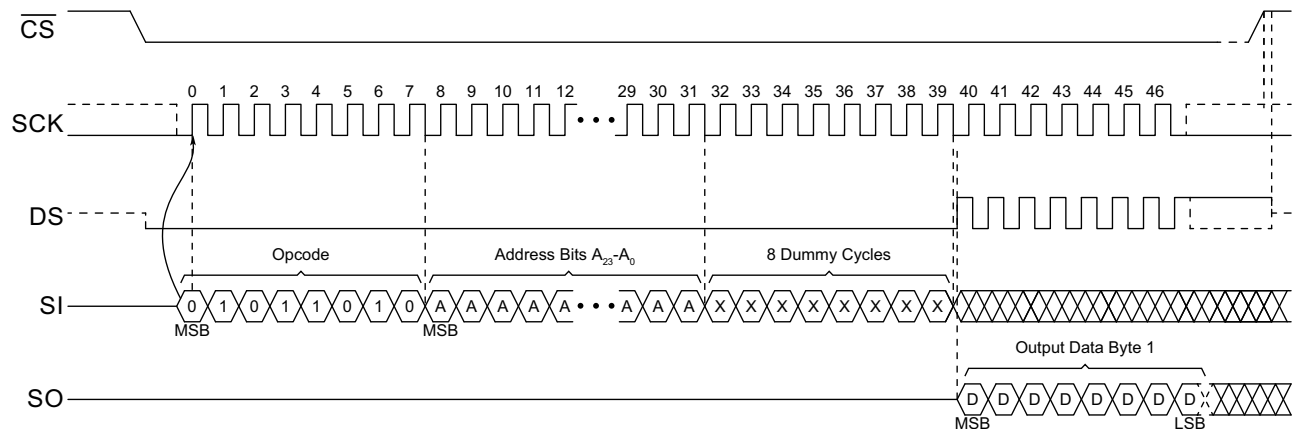
The Burst with Wrap feature allows applications that use cache to quickly fetch a critical address and then fill the cache afterwards within a fixed length (8-, 16-, 32-, or 64-bytes) of data without issuing multiple read instructions.

The Set Burst with Wrap instruction allows three Wrap Bits (W6-4) to be set. W4 enables or disables the wrap around operation; W5 specifies the length of the wrap around section within a page.

7.7 Read Serial Flash Discoverable Parameter (5Ah)

The Serial Flash Discoverable Parameter (SFDP) standard provides a consistent method of describing the functional and feature capabilities of serial Flash devices in a standard set of internal parameter tables. These parameter tables can be interrogated by host system software to enable adjustments needed to accommodate divergent features from multiple vendors. SFDP is a JEDEC Standard, JESD216D. For more detailed SFDP values, contact Adesto.

Figure 7-12. Read Serial Flash Discoverable Parameter Command Sequence Diagram



8. Program and Erase Commands

8.1 Byte/Page Program (02h)

The Byte/Page Program command allows one to 256 bytes of data to be programmed into previously erased memory locations. An erased memory location is one that has all eight bits set to the logical “1” state (a byte value of FFh). Before a Byte/Page Program command can be started, the Write Enable command must have been issued to the device (see “Write Enable (06h)”, on page 25) to set the Write Enable Latch (WEL) bit of the Status Register to a logical “1” state.

To perform a Byte/Page Program command, an opcode of 02h must be clocked into the device, followed by the three address bytes denoting the first byte location of the memory array to begin programming at. After the address bytes have been clocked in, data can then be clocked into the device and is stored in an internal buffer.

If the starting memory address denoted by A23-A0 does not fall on an even 256-byte page boundary (A7-A0 are not all 0), special circumstances regarding which memory locations to be programmed apply. In this situation, any data that is sent to the device that goes beyond the end of the page wraps around back to the beginning of the same page. For example, if the starting address denoted by A23-A0 is 0000FEh, and three bytes of data are sent to the device, then the first two bytes of data are programmed at addresses 0000FEh and 0000FFh, and the last byte of data is programmed at address 000000h. The remaining bytes in the page (addresses 000001h through 0000FDh) are not programmed and remain in the erased state (FFh). Also, if more than 256 bytes of data are sent to the device, only the last 256 bytes sent are latched into the internal buffer.

When the \overline{CS} pin is deasserted, the device takes the data stored in the internal buffer and programs it into the appropriate memory array locations based on the starting address specified by A23-A0 and the number of data bytes sent to the device. If fewer than 256 bytes of data were sent to the device, the remaining bytes within the page are not programmed and remain in the erased state (FFh). The programming of the data bytes is internally self-timed and, if only programming a single byte, must take place in a time of t_{PP} or t_{BP} .

The three address bytes and at least one complete data byte must be clocked into the device before the \overline{CS} pin is deasserted, and the \overline{CS} pin must be deasserted on even byte boundaries (multiples of eight bits); otherwise, the device aborts the operation and no data is programmed into the memory array. Also, if the memory is in the protected state, the Byte/Page Program command is not executed, and the device returns to the idle state once the \overline{CS} pin has been deasserted. The WEL bit in the Status Register is reset to the logical “0” state if: the program cycle aborts due to an incomplete address being sent, an incomplete byte of data is sent, the \overline{CS} pin is deasserted on uneven byte boundaries, or the memory location to be programmed is protected.

While the device is programming, the Status Register can be read and indicates that the device is busy. For faster throughput, it is recommended that the Status Register be polled, rather than waiting the t_{BP} or t_{PP} time to determine if the data bytes have finished programming. At some point before the program cycle completes, the WEL bit in the Status Register is reset to the logical “0” state.

Figure 8-1. Byte Program

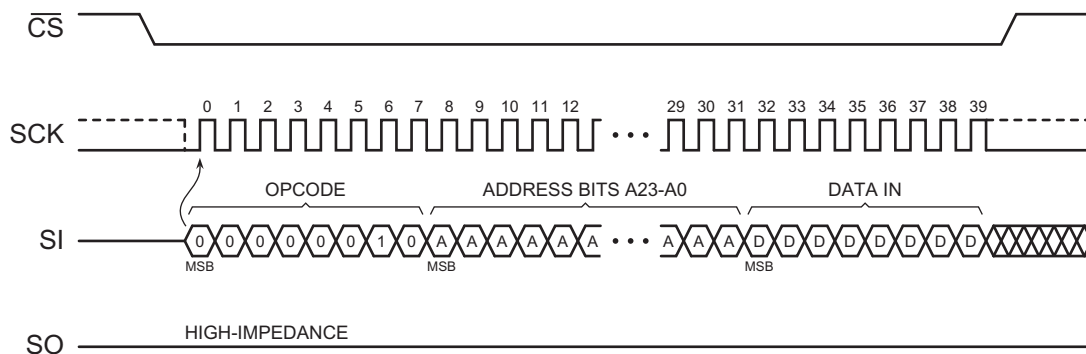
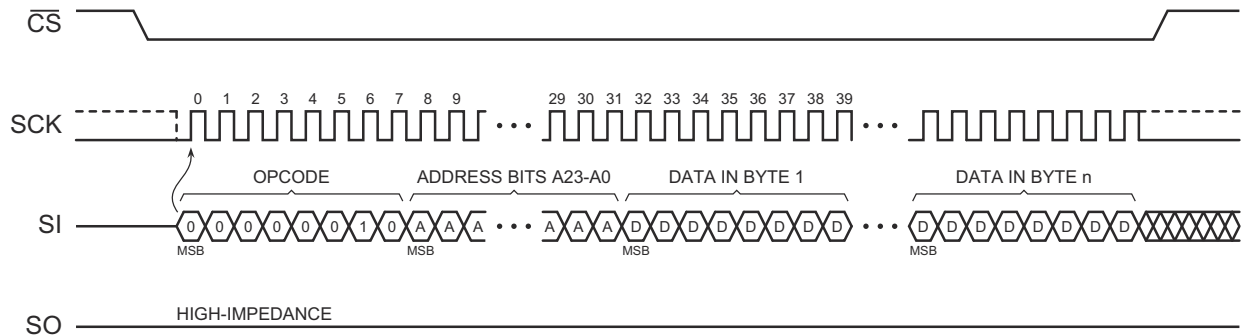


Figure 8-2. Page Program



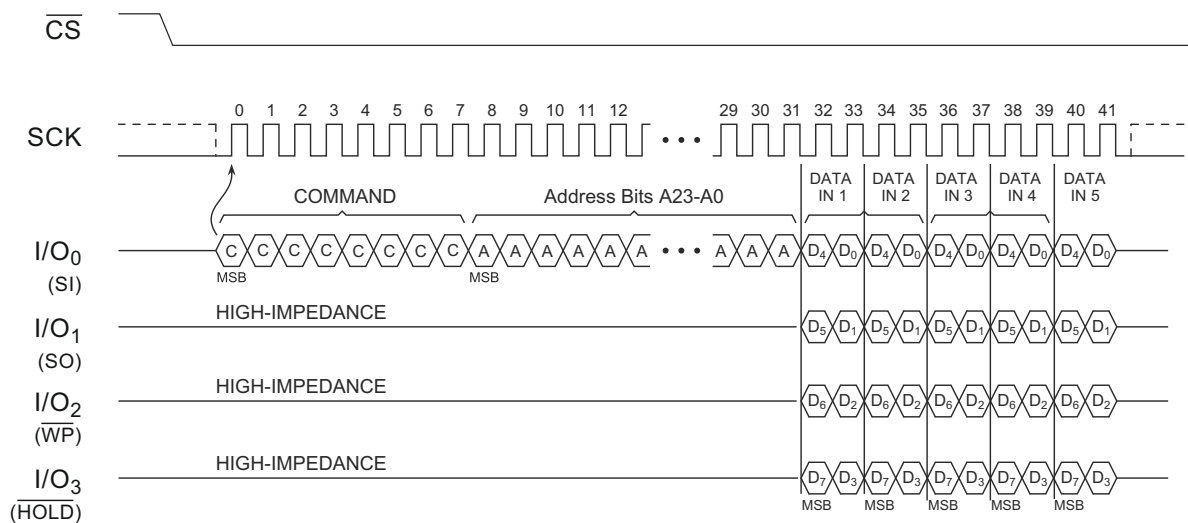
8.2 Quad Page Program (32h)

This instruction is for programming the memory using pins: IO0, IO1, IO2, and IO3. To use this instruction, the Quad enable (bit 9 in Status Register) must be set ($QE=1$). A Write Enable instruction must previously have been executed to set the Write Enable Latch bit before sending the Page Program instruction. The Quad Page Program instruction is entered by driving \overline{CS} low, followed by the command code (32H), three address bytes, and at least one data byte on I/O pins.

Figure 8-3 shows the instruction sequence. If more than 256 bytes are sent to the device, previously latched data are discarded, and the last 256 data bytes are guaranteed to be programmed correctly within the same page. If fewer than 256 data bytes are sent to device, they are correctly programmed at the requested addresses without affecting other bytes of the same page. \overline{CS} must be driven high after the eighth bit of the last data byte has been latched in; otherwise, the Quad Page Program instruction is not executed.

As soon as \overline{CS} is driven high, the self-timed Quad Page Program cycle (whose duration is t_{pp}) is initiated. While the Quad Page Program cycle is in progress, the Status Register can be read to check the value of the Write in Progress (WIP) bit. The Write In Progress (WIP) bit is 1 during the self-timed Quad Page Program cycle; it is 0 when done. At some unspecified time before the cycle is completed, the Write Enable Latch bit is reset. A Quad Page Program instruction applied to a page which is protected by the Block Protect (BP4, BP3, BP2, BP1, BP0) bits (see Table 9-1 and Table 9-2) is not executed.

Figure 8-3. Quad Page Program (32h) Timing



8.3 Block Erase (20h, 52h, or D8h)

A block of 4, 32, or 64 kbytes can be erased (all bits set to the logical “1” state) in a single operation by using one of three different opcodes for the Block Erase command. An opcode of 20h is used for a 4-kbytes erase, an opcode of 52h is used for a 32-kbytes erase, and D8h is used for a 64-kbytes erase. Before a Block Erase command can be started, the Write Enable command must have been previously issued to the device to set the WEL bit of the Status Register to a logical “1” state.

To perform a Block Erase, the \overline{CS} pin must first be asserted and the appropriate opcode (20h, 52h, or D8h) must be clocked into the device. After the opcode has been clocked in, the three address bytes specifying an address within the 4- or 32- or 64-kbytes block to be erased must be clocked in. Any additional data clocked into the device is ignored. When the \overline{CS} pin is deasserted, the device erases the appropriate block. The erasing of the block is internally self-timed and takes place in a time of t_{BLKE} .

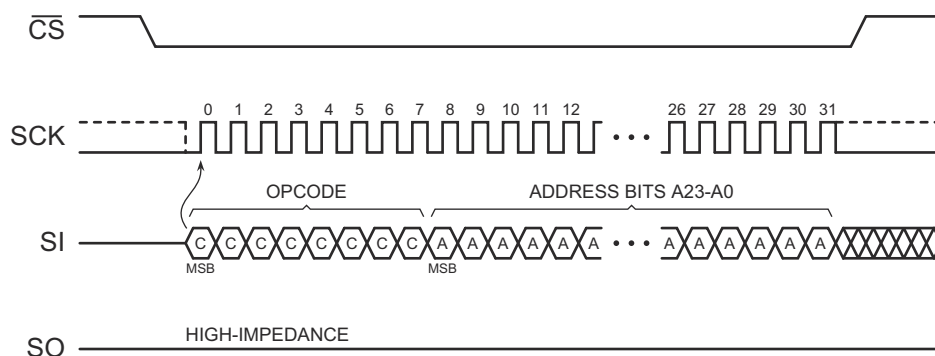
Since the Block Erase command erases a region of bytes, the lower order address bits do not need to be decoded by the device. Therefore, for a 4-kbytes erase, address bits A11-A0 are ignored by the device, and their values can be either a logical “1” or “0”. For a 32-kbytes erase, address bits A14-A0 are ignored by the device. For a 64-kbytes erase, address bits A15-A0 are ignored by the device. Despite the lower-order address bits not being decoded by the device, the complete three address bytes must still be clocked into the device before the \overline{CS} pin is deasserted, and the \overline{CS} pin must be deasserted on a byte boundary (multiples of eight bits); otherwise, the device aborts the operation, and no erase operation is performed.

If the memory is in the protected state, the Block Erase command is not executed, and the device returns to the idle state once the \overline{CS} pin has been deasserted.

The WEL bit in the Status Register is reset to the logical “0” state if: the erase cycle aborts due to an incomplete address being sent, the \overline{CS} pin is deasserted on uneven byte boundaries, or because a memory location within the region to be erased is protected.

While the device is executing a successful erase cycle, the Status Register can be read and indicates that the device is busy. For faster throughput, it is recommended that the Status Register be polled to determine if the device has finished erasing. At some point before the erase cycle completes, the WEL bit in the Status Register is reset to the logical “0” state.

Figure 8-4. Block Erase Timing



8.4 Chip Erase (60h or C7h)

The entire memory array can be erased in a single operation by using the Chip Erase command. Before a Chip Erase command can be started, the Write Enable command must have been previously issued to the device to set the WEL bit of the Status Register to a logical “1” state.

Two opcodes (60h and C7h) can be used for the Chip Erase command. There is no difference in device functionality when using the two opcodes; thus, they can be used interchangeably. To perform a Chip Erase, one of the two opcodes must be clocked into the device. Since the entire memory array is to be erased, no address

bytes need to be clocked into the device, and any data clocked in after the opcode is ignored. When the $\overline{\text{CS}}$ pin is deasserted, the device erases the entire memory array. The erasing of the device is internally self-timed and takes place in a time of t_{CHPE} .

The complete opcode must be clocked into the device before the $\overline{\text{CS}}$ pin is deasserted, and the $\overline{\text{CS}}$ pin must be deasserted on a byte boundary (multiples of eight bits); otherwise, no erase is performed. Also, if the memory array is in the protected state, the Chip Erase command is not executed, and the device returns to the idle state once the $\overline{\text{CS}}$ pin has been deasserted. The WEL bit in the Status Register is reset to the logical “0” state if the $\overline{\text{CS}}$ pin is deasserted on uneven byte boundaries, or if the memory is in the protected state.

While the device is executing a successful erase cycle, the Status Register can be read and indicates that the device is busy. For faster throughput, it is recommended that the Status Register be polled to determine if the device has finished erasing. At some point before the erase cycle completes, the WEL bit in the Status Register is reset to the logical “0” state.

8.5 Program/Erase Suspend (75h)

The Program/Erase Suspend command allows an in-progress program or erase operation to be suspended so that other device operations can be performed. For example, by suspending an erase operation to a particular block, the system can perform functions such as a program or read to a different block.

Chip Erase cannot be suspended. The Program/Erase Suspend command is ignored if it is issued during a Chip Erase. A program operation can be performed while an erase operation is suspended, but the program operation cannot be suspended while an erase operation is currently suspended.

Other device operations, such as a Read Status Register, can also be performed while a program or erase operation is suspended.

Since the need to suspend a program or erase operation is immediate, the Write Enable command does not need to be issued prior to the Program/Erase Suspend command being issued. Thus, the Program/Erase Suspend command operates independently of the state of the WEL bit in the Status Register.

To perform a Program/Erase Suspend, the $\overline{\text{CS}}$ pin must first be asserted, and the 75h opcode must be clocked into the device. No address bytes need to be clocked into the device, and any data clocked in after the opcode is ignored. When the $\overline{\text{CS}}$ pin is deasserted, the program or erase operation currently in progress is suspended. The Suspend (E_SUS or P_SUS) bits in the Write Status Register are set to the logical “1” state to indicate that the program or erase operation has been suspended. Also, the RDY/BSY bit in the Status Register indicates that the device is ready for another operation. The complete opcode must be clocked into the device before the $\overline{\text{CS}}$ pin is deasserted, and the $\overline{\text{CS}}$ pin must be deasserted on a byte boundary (multiples of eight bits); otherwise, no suspend operation is performed.

If a read operation is attempted to a suspended area (page for programming or block for erasing), the device outputs undefined data. Thus, when performing a Read Array operation to an unsuspended area, and the device's internal address counter increments and crosses into the suspended area, the device starts outputting undefined data until the internal address counter crosses to an unsuspended area.

A program operation is not allowed to a block that has been erase suspended. If a program operation is attempted to an erase suspended block, then the program operation aborts, and the WEL bit in the Status Register is reset to a logical “0” state. Likewise, an erase operation is not allowed to a block that included the page that has been program suspended. If attempted, the erase operation aborts, and the WEL bit in the Status Register is reset to a logical “0” state.

If an attempt is made to perform an operation that is not allowed during a program or erase suspend, such as a Write Status Register operation, the device ignores the opcode, and no operation is performed. The state of the WEL bit in the Status Register is not affected.

Note: Repeated suspend/resume sequences might significantly impact progress of the erase or program operation. To ensure timely completion of the erase or program operation, limit the number of suspend/resume

sequences during the same erase or program operation; alternatively, provide sufficient time (up to 60 ms) after a resume operation to allow the erase or program operation to complete.

8.6 Program/Erase Resume (7Ah)

The Program/Erase Resume command allows a suspended program or erase operation to be resumed and continue programming a Flash page or erasing a Flash memory block where it left off. The Program/Erase Resume instruction is accepted by the device only if the E_SUS or P_SUS bit in the Write Status Register is 1, and the $\overline{\text{RDY}}/\text{BSY}$ bit is 0. If the E_SUS and P_SUS bits are 0, or the $\overline{\text{RDY}}/\text{BSY}$ bit is 1, the Program/Erase Resume command is ignored by the device. As with the Program/Erase Suspend command, the Write Enable command does not need to be issued before the Program/Erase Resume command is issued. Thus, the Program/Erase Resume command operates independently of the state of the WEL bit in the Status Register.

To perform Program/Erase Resume, the $\overline{\text{CS}}$ pin must first be asserted, and opcode 7Ah must be clocked into the device.

No address bytes need to be clocked into the device, and any data clocked in after the opcode is ignored. When the $\overline{\text{CS}}$ pin is deasserted, the program or erase operation currently suspended resumes. The E_SUS or P_SUS bit in the Status Register is reset back to the logical “0” state to indicate the program or erase operation is no longer suspended. Also, the $\overline{\text{RDY}}/\text{BSY}$ bit in the Status Register indicates that the device is busy performing a program or erase operation. The complete opcode must be clocked into the device before the $\overline{\text{CS}}$ pin is deasserted, and the $\overline{\text{CS}}$ pin must be deasserted on a byte boundary (multiples of eight bits); otherwise, no resume operation is performed.

During a simultaneous Erase Suspend/Program Suspend condition, issuing the Program/Erase Resume command results in the program operation resuming first. After the program operation has been completed, the Program/Erase Resume command must be issued again for the erase operation to be resumed.

While the device is busy resuming a program or erase operation, any attempts at issuing the Program/Erase Suspend command are ignored. Thus, if a resumed program or erase operation needs to be subsequently suspended again, the system must either wait before issuing the Program/Erase Suspend command, or it must check the status of the $\overline{\text{RDY}}/\text{BSY}$ bit or the E_SUS or P_SUS bit in the Status Register to determine if the previously suspended program or erase operation has resumed.

9. Protection Commands and Features

9.1 Write Enable (06h)

The Write Enable command sets the Write Enable Latch (WEL) bit in the Status Register to a logical “1” state. The WEL bit must be set before a Byte/Page Program, Erase, Program Security Register Pages, Erase Security Register Pages or Write Status Register command can be executed. This makes the issuance of these commands a two step process, thus reducing the chances of a command being accidentally or erroneously executed. If the WEL bit in the Status Register is not set prior to the issuance of one of these commands, the command is not executed.

To issue the Write Enable command, the \overline{CS} pin must first be asserted, and the opcode of 06h must be clocked into the device. No address bytes need to be clocked into the device, and any data clocked in after the opcode is ignored. When the \overline{CS} pin is deasserted, the WEL bit in the Status Register is set to a logical “1”. The complete opcode must be clocked into the device before the \overline{CS} pin is deasserted, and the \overline{CS} pin must be deasserted on a byte boundary (multiples of eight bits); otherwise, the device aborts the operation, and the WEL bit state does not change.

9.2 Write Disable (04h)

The Write Disable command resets the Write Enable Latch (WEL) bit in the Status Register to the logical “0” state. With the WEL bit reset, all Byte/Page Program, Erase, Program Security Register Page, and Write Status Register commands are not executed. Other conditions can also cause the WEL bit to be reset; for more details, see the WEL bit section of the Status Register description (Section 9.1).

To issue the Write Disable command, the \overline{CS} pin must be asserted first, and the opcode of 04h must be clocked into the device. No address bytes need to be clocked into the device, and any data clocked in after the opcode is ignored. When the \overline{CS} pin is deasserted, the WEL bit in the Status Register is reset to a logical “0”. The complete opcode must be clocked into the device before the \overline{CS} pin is deasserted, and the \overline{CS} pin must be deasserted on a byte boundary (multiples of eight bits); otherwise, the device aborts the operation, and the WEL bit state does not change.

9.3 Non-Volatile Protection

The device can be software-protected against erroneous or malicious program or erase operations by using the Non-Volatile Protection feature. Non-Volatile Protection can be enabled or disabled by using the Write Status Register command to change the value of the Protection (CMP, BP4, BP3, BP2, BP1, BP0) bits in the Status Register. Table 9-1 outlines the states of the Protection bits and the associated protection area.

Table 9-1. Memory Array with CMP = 0

| Protection Bits | | | | | Memory Content | |
|-----------------|-----|-----|-----|-----|------------------|-------------|
| BP4 | BP3 | BP2 | BP1 | BP0 | Address Range | Portion |
| X | X | 0 | 0 | 0 | None | None |
| 0 | 0 | 0 | 0 | 1 | 3F0000h-3FFFFFFh | Upper 1/64 |
| 0 | 0 | 0 | 1 | 0 | 3E0000h-3FFFFFFh | Upper 1/32 |
| 0 | 0 | 0 | 1 | 1 | 3C0000h-3FFFFFFh | Upper 1/16 |
| 0 | 0 | 1 | 0 | 0 | 380000h-3FFFFFFh | Upper 1/8 |
| 0 | 0 | 1 | 0 | 1 | 300000h-3FFFFFFh | Upper 1/4 |
| 0 | 0 | 1 | 1 | 0 | 200000h-3FFFFFFh | Upper 1/2 |
| 0 | 1 | 0 | 0 | 1 | 000000h-00FFFFh | Lower 1/64 |
| 0 | 1 | 0 | 1 | 0 | 000000h-01FFFFh | Lower 1/32 |
| 0 | 1 | 0 | 1 | 1 | 000000h-03FFFFh | Lower 1/16 |
| 0 | 1 | 1 | 0 | 0 | 000000h-07FFFFh | Lower 1/8 |
| 0 | 1 | 1 | 0 | 1 | 000000h-0FFFFFFh | Lower 1/4 |
| 0 | 1 | 1 | 1 | 0 | 000000h-1FFFFFFh | Lower 1/2 |
| X | X | 1 | 1 | 1 | 000000h-3FFFFFFh | ALL |
| 1 | 0 | 0 | 0 | 1 | 3FF000h-3FFFFFFh | Upper 1/512 |
| 1 | 0 | 0 | 1 | 0 | 3FE000h-3FFFFFFh | Upper 1/256 |
| 1 | 0 | 0 | 1 | 1 | 3FC000h-3FFFFFFh | Upper 1/128 |
| 1 | 0 | 1 | 0 | X | 3F8000h-3FFFFFFh | Upper 1/64 |
| 1 | 0 | 1 | 1 | 0 | 3F8000h-3FFFFFFh | Upper 1/64 |
| 1 | 1 | 0 | 0 | 1 | 000000h-000FFFh | Lower 1/512 |
| 1 | 1 | 0 | 1 | 0 | 000000h-001FFFh | Lower 1/256 |
| 1 | 1 | 0 | 1 | 1 | 000000h-003FFFh | Lower 1/128 |
| 1 | 1 | 1 | 0 | X | 000000h-007FFFh | Lower 1/64 |
| 1 | 1 | 1 | 1 | 0 | 000000h-007FFFh | Lower 1/64 |

Table 9-2. Memory Array Protection with CMP = 1

| Protection Bits | | | | | Memory Content | |
|-----------------|-----|-----|-----|-----|------------------|-----------------|
| BP4 | BP3 | BP2 | BP1 | BP0 | Address Range | Portion |
| X | X | 0 | 0 | 0 | 000000h-3FFFFFFh | All |
| 0 | 0 | 0 | 0 | 1 | 000000h-3EFFFFh | Lower 63/64 |
| 0 | 0 | 0 | 1 | 0 | 000000h-3DFFFFh | Lower 31/32 |
| 0 | 0 | 0 | 1 | 1 | 000000h-3BFFFFh | Lower 15/16 |
| 0 | 0 | 1 | 0 | 0 | 000000h-37FFFFh | Lower 7/8 |
| 0 | 0 | 1 | 0 | 1 | 000000h-2FFFFFFh | Lower 3/4 |
| 0 | 0 | 1 | 1 | 0 | 000000h-1FFFFFFh | Lower 1/2 |
| 0 | 1 | 0 | 0 | 1 | 010000h-3FFFFFFh | Upper 63/64 |
| 0 | 1 | 0 | 1 | 0 | 020000h-3FFFFFFh | Upper 31/32 |
| 0 | 1 | 0 | 1 | 1 | 040000h-3FFFFFFh | Upper 15/16 |
| 0 | 1 | 1 | 0 | 0 | 080000h-3FFFFFFh | Upper 7/8 |
| 0 | 1 | 1 | 0 | 1 | 100000h-3FFFFFFh | Upper 3/4 |
| 0 | 1 | 1 | 1 | 0 | 200000h-3FFFFFFh | Upper 1/2 |
| X | X | 1 | 1 | 1 | NONE | NONE |
| 1 | 0 | 0 | 0 | 1 | 000000h-3FEFFFFh | Lower 1023/1024 |
| 1 | 0 | 0 | 1 | 0 | 000000h-3FDFFFFh | Lower 511/512 |
| 1 | 0 | 0 | 1 | 1 | 000000h-3FBFFFFh | Lower 255/256 |
| 1 | 0 | 1 | 0 | X | 000000h-3F7FFFh | Lower 127/128 |
| 1 | 0 | 1 | 1 | 0 | 000000h-3F7FFFh | Lower 127/128 |
| 1 | 1 | 0 | 0 | 1 | 001000h-3FFFFFFh | Upper 1023/1024 |
| 1 | 1 | 0 | 1 | 0 | 002000h-3FFFFFFh | Upper 511/512 |
| 1 | 1 | 0 | 1 | 1 | 004000h-3FFFFFFh | Upper 255/256 |
| 1 | 1 | 1 | 0 | X | 008000h-3FFFFFFh | Upper 127/128 |
| 1 | 1 | 1 | 1 | 0 | 008000h-3FFFFFFh | Upper 127/128 |

As a safeguard against accidental or erroneous protecting or unprotecting of the memory array, the Protection can be locked from updates by using the \overline{WP} pin (see “Protected States and the Write Protect Pin”, on page 27, for more details).

9.4 Protected States and the Write Protect Pin

The \overline{WP} pin is not linked to the memory array itself and has no direct effect on the protection status of the memory array. Instead, the \overline{WP} pin, controls the hardware locking mechanism of the device.

If the \overline{WP} pin is permanently connected to GND, then the protection bits cannot be changed.

9.5 Enable Reset (66h) and Reset Device (99h)

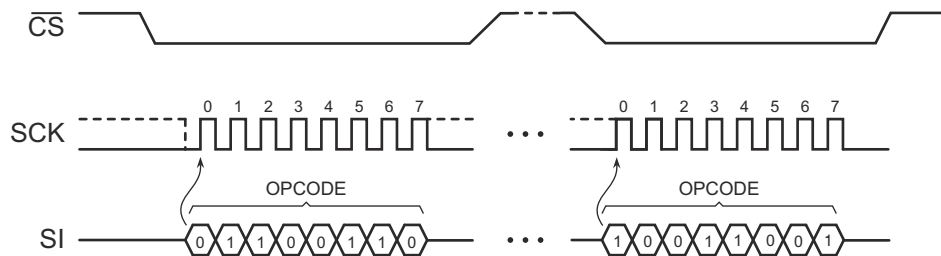
Because of the small package and the limitation on the number of pins, the AT25SF161B provides a software Reset instruction instead of a dedicated RESET pin. Once the software Reset instruction is accepted, any on-going internal operations are terminated, and the device returns to its default power-on state and loses all the current volatile settings, including the Volatile Status Register bits, Write Enable Latch (WEL) status, Program/Erase Suspend status, Continuous Read Mode bit setting (M7-M0), and Wrap Bit setting (W6-W4).

To avoid accidental reset, the Enable Reset and Reset Device instructions must be issued in sequence. Any other commands other than Reset (99h) after the Enable Reset command (66h) disables the Reset Enable state. A new sequence of Enable Reset and Reset Device is needed to reset the device. Once the Reset command is accepted by the device, the device takes approximately 30 μ s to reset. During this period, no command is accepted.

The Enable Reset and Reset Device instruction sequence are shown in Figure 9-1.

Data corruption can happen if there is an on-going or suspended internal Erase or Program operation when the Reset command sequence is accepted by the device. Check the BUSY bit and the E_SUS and P_SUS bits in the Status Register before issuing the Reset command sequence.

Figure 9-1. Enable Reset (66h) and Reset Device (99h) Command Timing (SPI Mode)



10. Security Register Commands

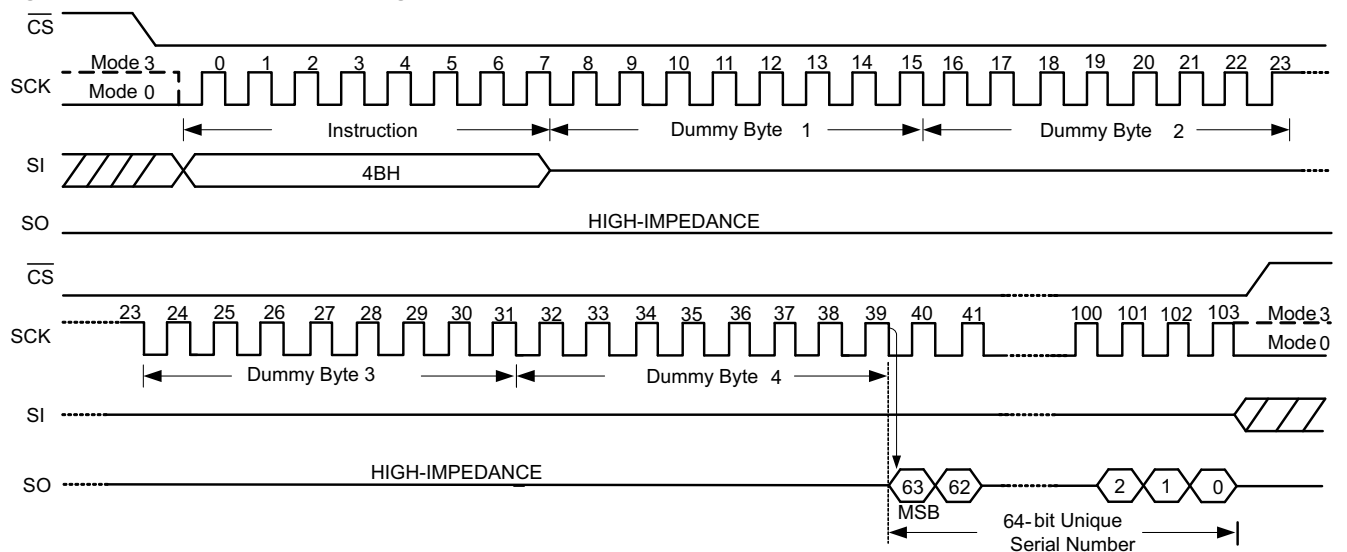
The device contains three extra Security Registers pages, that can be used for unique device serialization, system-level Electronic Serial Number (ESN) storage, locked key storage, etc. The Security Registers are independent of the main Flash memory.

Each page of the Security Register can be erased and programmed independently. Each page can also be independently locked to prevent further changes.

10.1 Read Unique ID Number (4Bh)

The Read Unique ID Number instruction accesses a factory-set, read-only 64-bit number that is unique to each AT25SF321B device. The ID number can be used in conjunction with user software methods to help prevent copying or cloning of a system. The Read Unique ID instruction is initiated by driving the \overline{CS} pin low and shifting the instruction code 4Bh, followed by four dummy byte clock cycles. After this, the 64-bit ID is shifted out on the falling edge of SCLK, as shown in Table 10-1.

Figure 10-1. Read Unique ID Timing (SPI Mode)



10.2 Erase Security Registers (44h)

Before an erase Security Register Page command can be started, the Write Enable command must have been previously issued to the device to set the WEL bit of the Status Register to a logical “1” state.

To perform an Erase Security Register Page command, the \overline{CS} pin must be asserted first, and the opcode 44h must be clocked into the device. After the opcode has been clocked in, the three address bytes specifying the Security Register Page to be erased must be clocked in. When the \overline{CS} pin is deasserted, the device erases the appropriate page. The erasing of the page is internally self-timed and takes place in a time of t_{PP} .

Since the Erase Security Register Page command erases a region of bytes, the lower-order address bits do not need to be decoded by the device. Thus, address bits A7-A0 are ignored by the device. Despite the lower-order address bits not being decoded by the device, the complete three address bytes must be clocked into the device before the \overline{CS} pin is deasserted, and the \overline{CS} pin must be deasserted right after the last address bit (A0); otherwise, the device aborts the operation, and no erase operation is performed.

While the device is executing a successful erase cycle, the Status Register can be read and indicates that the device is busy. For faster throughput, it is recommended that the Status Register be polled (rather than waiting the t_{PP} time to determine if the device has finished erasing). At some point before the erase cycle completes, the $\overline{RDY/BSY}$ bit in the Status Register is reset to the logical “0” state.

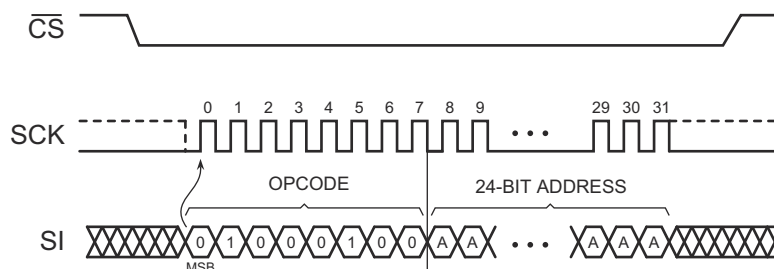
The WEL bit in the Status Register is reset to the logical “0” state if: the erase cycle aborts due to an incomplete address being sent, the \overline{CS} pin being deasserted on uneven byte boundaries, or because a memory location within the region to be erased is protected.

The Security Registers Lock Bits (LB3-LB1) in the Status Register can be used to OTP protect the security registers. Once a Lock Bit is set to 1, the corresponding Security Register is permanently locked. The Erase Security Register Page instruction is ignored for Security Registers with their Lock Bit set.

Table 10-1. Security Register Addresses for Erase Security Register Page Command

| Address | A23-A16 | A15-A12 | A11-A8 | A7-A0 |
|---------------------|---------|---------|--------|------------|
| Security Register 1 | 00h | 1h | 0h | Don't Care |
| Security Register 2 | 00h | 2h | 0h | Don't Care |
| Security Register 3 | 00h | 3h | 0h | Don't Care |

Figure 10-2. Erase Security Register Page



10.3 Program Security Registers (42h)

The Program Security Registers command uses the internal 256-byte buffer for processing. Thus, the contents of the buffer are altered from their previous state when this command is issued.

The Security Registers can be programmed in a similar fashion to the Program Array operation up to the maximum clock frequency specified by f_{CLK} . Before a Program Security Registers command can be started, the Write Enable command must have been previously issued to the device (see “Write Enable (06h)”, on page 25) to set the Write Enable Latch (WEL) bit of the Status Register to a logical “1” state. To program the Security Registers, the \overline{CS} pin must first be asserted, and the opcode of 42h must be clocked into the device. After the opcode has been clocked in, the three address bytes must be clocked in to specify the starting address location of the first byte to program within the Security Register.

Figure 10-3. Program Security Registers

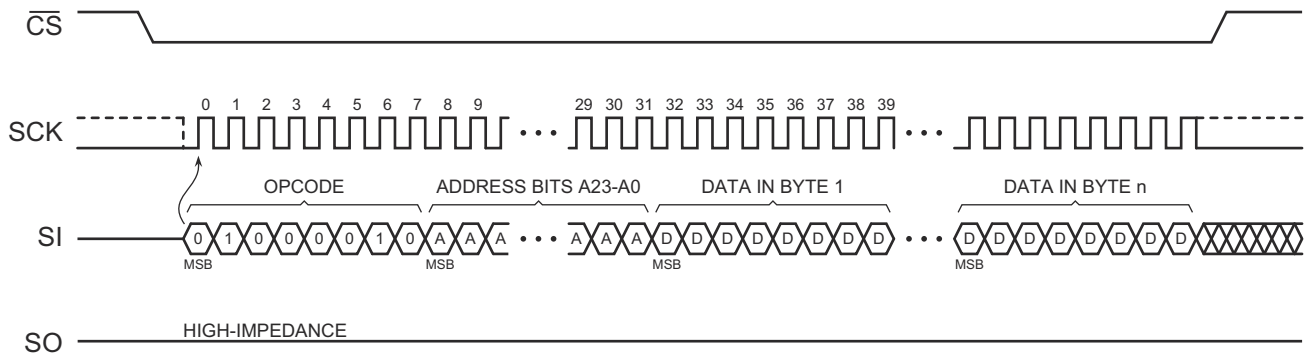


Table 10-2. Security Register Addresses for Program Security Registers Command

| Address | A23-A16 | A15-A12 | A11-A8 | A7-A0 |
|---------------------|---------|---------|--------|--------------|
| Security Register 1 | 00h | 1h | 0h | Byte Address |
| Security Register 2 | 00h | 2h | 0h | Byte Address |
| Security Register 3 | 00h | 3h | 0h | Byte Address |

11. Status Register Commands

11.1 Read Status Register (05h, 35h, and 15h)

The Status Register can be read to determine the device's ready/busy status, as well as the status of many other functions, such as Block Protection. The Status Register can be read at any time, including during an internally self-timed program or erase operation.

To read Status Register Byte 1, the \overline{CS} pin must first be asserted and the opcode of 05h must be clocked into the device. After the opcode has been clocked in, the device begins outputting Status Register Byte 1 data on the SO pin during every subsequent clock cycle. After the last bit (0) of Status Register Byte 1 has been clocked out, the sequence repeats itself, starting again with bit 7, as long as the \overline{CS} pin remains asserted and the clock pin is being pulsed. The data in the Status Register is constantly being updated, so each repeating sequence outputs new data. Deasserting the \overline{CS} pin terminates the Read Status Register operation and puts the SO pin into a high-impedance state. The \overline{CS} pin can be deasserted at any time and does not require that a full byte of data be read.

To read Status Register Byte 2, the \overline{CS} pin must first be asserted, and the opcode of 35h must be clocked into the device. After the opcode has been clocked in, the device begins outputting Status Register Byte 2 data on the SO pin during every subsequent clock cycle. After the last bit (0) of Status Register Byte 2 has been clocked out, the sequence repeats itself starting again with bit 7 as long as the \overline{CS} pin remains asserted and the clock pin is being pulsed. The data in the Status Register is constantly being updated, so each repeating sequence outputs new data. Deasserting the \overline{CS} pin terminates the Read Status Register operation and puts the SO pin into a high-impedance state. The \overline{CS} pin can be deasserted at any time and does not require that a full byte of data be read.

Table 11-1. Status Register 1 Bit Assignments

| Bit ¹ | Mnemonic | Name | Type ² | Description | |
|------------------|----------------------|----------------------------------|-------------------|-------------|---|
| 7 | SRP0 | Status Register Protection bit 0 | R/W | | See Table 11-4 on Status Register Protection. |
| 6 | BP4 | Block Protection bit 4 | R/W | | See Table 9-1 and Table 9-2 on Non-Volatile Protection. |
| 5 | BP3 | Block Protection bit 3 | R/W | | |
| 4 | BP2 | Block Protection bit 2 | R/W | | |
| 3 | BP1 | Block Protection bit 1 | R/W | | |
| 2 | BP0 | Block Protection bit 0 | R/W | | |
| 1 | WEL | Write Enable Latch Status | R | 0 | Device is not Write Enabled (default). |
| | | | | 1 | Device is Write Enabled. |
| 0 | $\overline{RDY/BSY}$ | Ready/Busy Status | R | 0 | Device is ready. |
| | | | | 1 | Device is busy with an internal operation. |

1. Only bits designated as R/W can be modified when using the Write Status Register command. Bits designated as R cannot be modified.

2. R/W = Readable and writable; R = Readable only.

Figure 11-1. Read Status Register 1

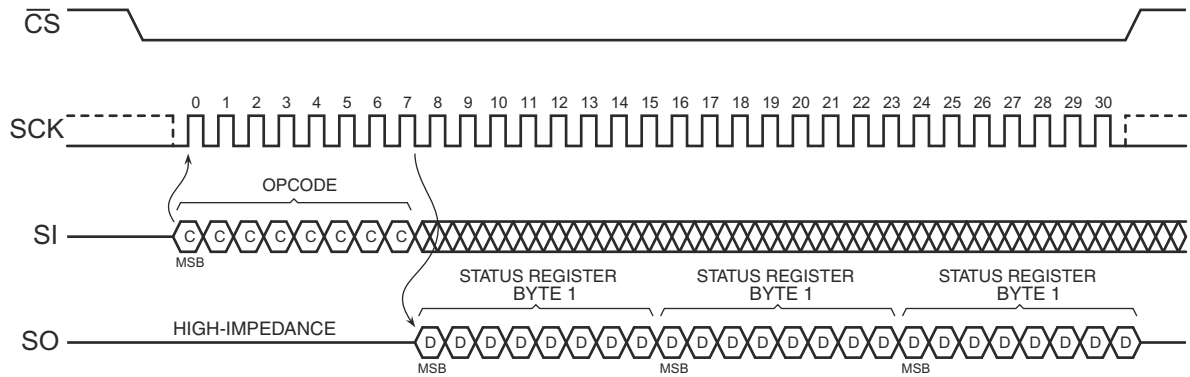


Table 11-2. Status Register 2 Bit Assignments

| Bit ⁽¹⁾ | Name | Type ⁽²⁾ | Description | |
|--------------------|-------|---------------------|-------------|--|
| 7 | E_SUS | R | 0 | Erase operation is not suspended (default). |
| | | | 1 | Erase operation is suspended. |
| 6 | CMP | R/W | 0 | See table on Block Protection. |
| 5 | LB3 | R/W | 0 | Security Register page-3 is not locked (default). |
| | | | 1 | Security Register page-3 cannot be erased/programmed. |
| 4 | LB2 | R/W | 0 | Security Register page-2 is not locked (default). |
| | | | 1 | Security Register page-2 cannot be erased/programmed. |
| 3 | LB1 | R/W | 0 | Security Register page-1 is not locked (default). |
| | | | 1 | Security Register page-1 cannot be erased/programmed. |
| 2 | P_SUS | R | 0 | Program operation is not suspended (default). |
| | | | 1 | Program operation is suspended. |
| 1 | QE | R/W | 0 | $\overline{\text{HOLD}}$ and $\overline{\text{WP}}$ function normally (default). |
| | | | 1 | $\overline{\text{HOLD}}$ and $\overline{\text{WP}}$ are I/O pins. |
| 0 | SRP1 | R/W | | See Table 11-4 on Status Register Protection. |

1. Only bits designated as R/W can be modified when using the Write Status Register command. Bits designated as R cannot be modified.

2. R/W = Readable and writable; R = Readable only.

11.1.2 CMP, BP4, BP3, BP2, BP1, BP0 Bits

The CMP, BP4, BP3, BP2, BP1, and BP0 bits control which portions of the array are protected from erase and program operations (see Table 9-1 and Table 9-2).

The CMP bit complements the effect of the other bits.

The BP4 bit selects between large and small block size protection.

The BP3 bit selects between top of the array or bottom of the array protection.

The BP2, BP1, and BP0 bits determine how much of the array is protected.

11.1.3 WEL Bit

The WEL bit indicates the current status of the internal Write Enable Latch. When the WEL bit is in the logical “0” state, the device does not accept any Byte/Page Program, erase, Program Security Register, Erase Security Register, or Write Status Register commands. The WEL bit defaults to the logical “0” state after a device power-up or reset operation. Also, the WEL bit is reset to the logical “0” state automatically under the following conditions:

- Write Disable operation completes successfully.
- Write Status Register operation completes successfully or aborts.
- Program Security Register operation completes successfully or aborts.
- Erase Security Register operation completes successfully or aborts.
- Byte/Page Program operation completes successfully or aborts.
- Block Erase operation completes successfully or aborts.
- Chip Erase operation completes successfully or aborts.

If the WEL bit is in the logical “1” state, it is not reset to a logical “0” if an operation aborts because of an incomplete or unrecognized opcode being clocked into the device before the $\overline{\text{CS}}$ pin is deasserted. For the WEL bit to be reset when an operation aborts prematurely, the entire opcode for a Byte/Page Program, erase, Program Security Register, Erase Security Register, or Write Status Register command must have been clocked into the device.

11.1.4 $\overline{\text{RDY}}/\text{BSY}$ Bit

The $\overline{\text{RDY}}/\text{BSY}$ bit is used to determine whether or not an internal operation, such as a program or erase, is in progress. To poll the $\overline{\text{RDY}}/\text{BSY}$ bit to detect the completion of a program or erase cycle, new Status Register data must be continually clocked out of the device until the state of the $\overline{\text{RDY}}/\text{BSY}$ bit changes from a logical “1” to a logical “0”.

11.1.5 LB3, LB2, LB1 Bits

The LB3, LB2, and LB1 bits are used to determine if any of the three Security Register pages are locked.

The LB3 bit is in the logical “1” state if Security Register page-2 is locked and cannot be erased or programmed.

The LB2 bit is in the logical “1” state if Security Register page-1 is locked and cannot be erased or programmed.

The LB1 bit is in the logical “1” state if Security Register page-0 is locked and cannot be erased or programmed.

11.1.6 E_SUS Bit

This bit is set and cleared by hardware and indicates the status of an erase operation. This bit is encoded as follows:

- 0: Erase operation is not suspended (default).
- 1: Erase operation is suspended.

Hardware clears this bit once the condition that caused the erase suspend operation has been removed. Hardware typically sets this bit when a Program/Erase Suspend (75h) command is executed, and clears the bit when a Program/Erase Resume (7Ah) command is executed.

11.1.7 P_SUS Bit

This bit is set and cleared by hardware and indicates the status of an program operation. This bit is encoded as follows:

- 0: Program operation is not suspended (default).
- 1: Program operation is suspended.

Hardware clears this bit once the condition that caused the program suspend operation has been removed. Hardware typically sets this bit when a Program/Erase Suspend (75h) command is executed, and clears the bit when a Program/Erase Resume (7Ah) command is executed.

11.1.8 QE Bit

The QE bit determines if the device is in the Quad Enabled mode. If it is in the logical “1” state, the $\overline{\text{HOLD}}$ and $\overline{\text{WP}}$ pins functions as input/output pins similar to the SI and SO. If it is in the logical “0” state, the $\overline{\text{HOLD}}$ pin functions as an input only, and the $\overline{\text{WP}}$ pin functions as an input only.

11.2 Write Status Register (01h)

The Write Status Register command modifies the Block Protection, Security Register Lock-down, Quad Enable, and Status Register Protection. Before the Write Status Register command can be issued, the Write Enable command must have been previously issued to set the WEL bit in the Status Register to a logical “1”.

The $\overline{\text{CS}}$ pin must be driven high after the eighth bit of the data byte has been latched in. If not, the Write Status Register instruction is not executed. As soon as the $\overline{\text{CS}}$ pin is driven high, the self-timed Write Status Register cycle is initiated.

While the Write Status Register cycle is in progress, the Status Register can be read to check the value of the Write in Progress (WIP) bit. The WIP bit is 1 during the self-timed Write Status Register cycle, and 0 when it is completed. When the cycle is completed, the Write Enable Latch is reset.

The Write Status Register instruction allows the user to change the values of the Block Protect (BP4, BP3, BP2, BP1, BP0) bits, to define the size of the area that is to be treated as read-only. The Write Status Register instruction also allows the user to set or reset the Status Register Protect (SRP1 and SRP0) bits in accordance with the Write Protect ($\overline{\text{WP}}$) pin.

The Status Register Protect (SRP1 and SRP0) bits and $\overline{\text{WP}}$ pin allow the device to be put in the hardware protected mode. The Write Status Register instruction is not executed once the hardware protected mode is entered.

Figure 11-3. Write Status Register

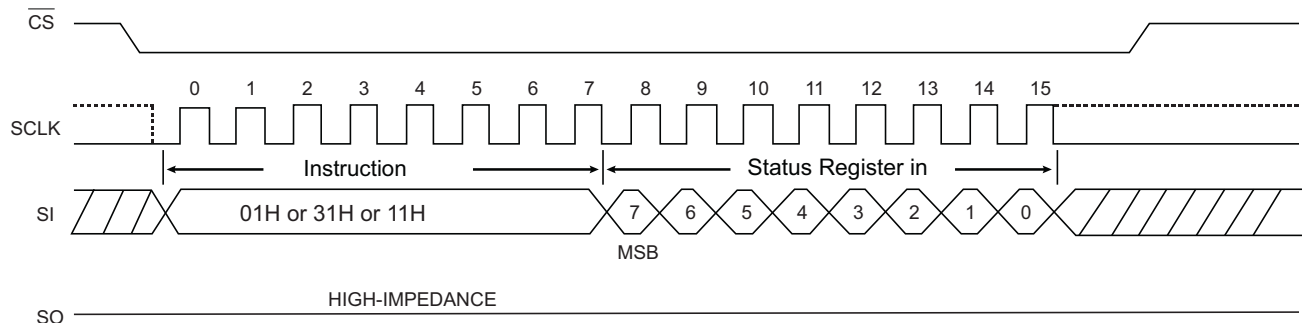


Table 11-5. Write Status Register 1

| Bit 7 | Bit 6 | Bit 5 | Bit 4 | Bit 3 | Bit 2 | Bit 1 | Bit 0 |
|-------|-------|-------|-------|-------|-------|-------|------------------------------------|
| SRP0 | BP4 | BP3 | BP2 | BP1 | BP0 | WEL | $\overline{\text{RDY}}/\text{BSY}$ |

Table 11-6. Write Status Register 2

| Bit 7 | Bit 6 | Bit 5 | Bit 4 | Bit 3 | Bit 2 | Bit 1 | Bit 0 |
|-------|-------|-------|-------|-------|-------|-------|-------|
| E_SUS | CMP | LB3 | LB2 | LB1 | P_SUS | QE | SRP1 |

Table 11-7. Write Status Register 3

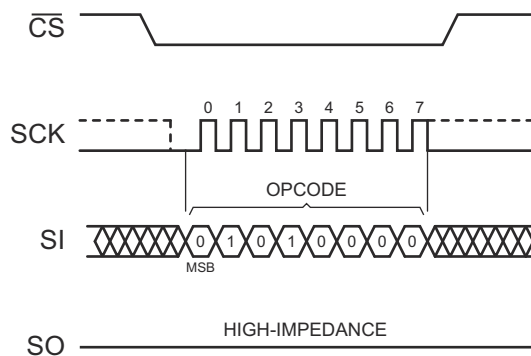
| Bit 7 | Bit 6 | Bit 5 | Bit 4 | Bit 3 | Bit 2 | Bit 1 | Bit 0 |
|----------|-------|-------|----------|----------|----------|----------|----------|
| Reserved | DRV1 | DRV0 | Reserved | Reserved | Reserved | Reserved | Reserved |

11.3 Write Enable for Volatile Status Register (50h)

The non-volatile Status Register bits can be written to as volatile bits. During power up reset, the non-volatile Status Register bits are copied to a volatile version of the Status Register that is used during device operation. This gives more flexibility to change the system configuration and memory protection schemes quickly without waiting for the typical non-volatile bit write cycles or affecting the endurance of the Status Register non-volatile bits.

To write the volatile version of the Status Register bits, the Write Enable for Volatile Status Register (50h) instruction must be issued prior to each Write Status Registers (01h) instruction. The Write Enable for Volatile Status Register instruction does not set the Write Enable Latch bit. It is valid only for the next Write Status Registers instruction, to change the volatile Status Register bit values.

Figure 11-4. Write Enable for Volatile Status Register



12. Other Commands and Functions

The AT25SF321B supports three different commands to access device identification that indicates the manufacturer, device type, and memory density. The returned data bytes provide the information shown in Table 12-1.

Table 12-1. Manufacturer and Device ID Information

| Instruction | Opcode | Dummy Bytes | Manufacturer ID (Byte #1) | Device ID (Byte #2) | Device ID (Byte #3) |
|--|--------|-------------|---------------------------|---------------------|---------------------|
| Read Manufacturer and Device ID | 9Fh | 0 | 1Fh | 87h | 01h |
| Read ID (Legacy Command) | 90h | 3 | 1Fh | | 15h |
| Read ID (Dual I/O) | 92h | 3 | 1Fh | | 15h |
| Read ID (Quad I/O) | 94h | 3 | 1Fh | | 15h |
| Resume from Deep Power-Down and Read Device ID | ABh | 3 | | | 15h |

12.1 Read Manufacturer and Device ID (9Fh)

Identification information can be read from the device to enable systems to electronically query and identify the device.

Since not all Flash devices are capable of operating at very high clock frequencies, design applications to read the identification information from the devices at a reasonably low clock frequency to ensure all devices used in the application can be identified properly. Once the identification process is complete, the application can increase the clock frequency to accommodate specific Flash devices that are capable of operating at the higher clock frequencies.

To read the identification information, the \overline{CS} pin must first be asserted and the opcode of 9Fh must be clocked into the device. After the opcode has been clocked in, the device begins outputting the identification data on the SO pin during the subsequent clock cycles. The first byte output is the Manufacturer ID, followed by two bytes of Device ID information. Deasserting the \overline{CS} pin terminates the Manufacturer and Device ID read operation and puts the SO pin into a high-impedance state. The \overline{CS} pin can be deasserted at any time and does not require that a full byte of data be read.

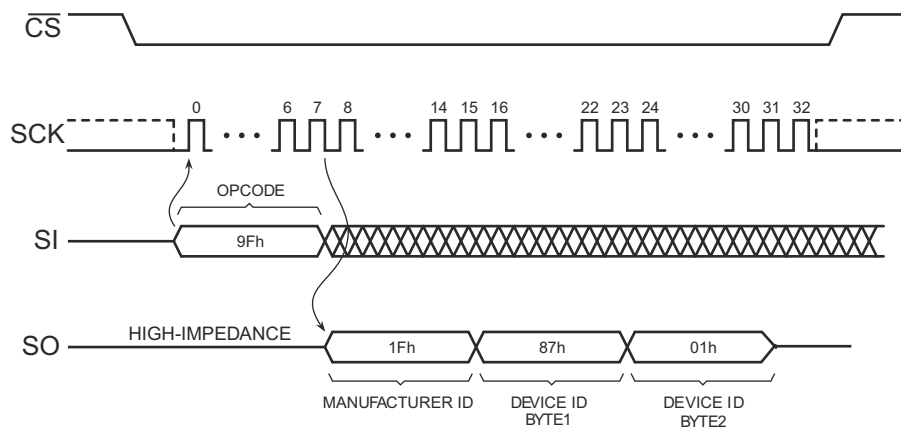
Table 12-2. Manufacturer and Device ID Information


| Byte Number | Data Type | Value |
|-------------|--------------------|-------|
| 1 | Manufacturer ID | 1Fh |
| 2 | Device ID (Part 1) | 87h |
| 3 | Device ID (Part 2) | 01h |

Table 12-3. Manufacturer and Device ID Details

| Data Type | Bit 7 | Bit 6 | Bit 5 | Bit 4 | Bit 3 | Bit 2 | Bit 1 | Bit 0 | Hex Value | Details |
|--------------------|---------------------|-------|-------|----------------------|-------|-------|-------|-------|-----------|--|
| Manufacturer ID | JEDEC Assigned Code | | | | | | | | 1Fh | JEDEC Code:0001 1111 (1Fh for Adesto) |
| | 0 | 0 | 0 | 1 | 1 | 1 | 1 | 1 | | |
| Device ID (Part 1) | Family Code | | | Density Code | | | | | 87h | Family Code:100 (AT25SFxxx series) Density Code:00111 (32-Mbit) |
| | 1 | 0 | 0 | 0 | 0 | 1 | 1 | 1 | | |
| Device ID (Part 2) | Sub Code | | | Product Version Code | | | | | 01h | Sub Code: 000 (Standard series) Product Version: 00001 |
| | 0 | 0 | 0 | 0 | 0 | 0 | 0 | 1 | | |

Figure 12-1. Read Manufacturer and Device ID



Note: Each transition  shown for SI and SO represents one byte (8 bits)

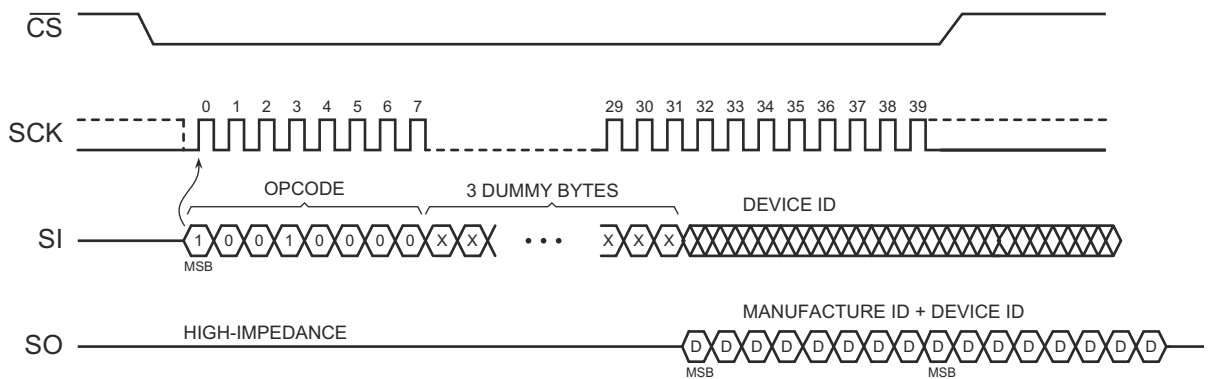
12.2 Read ID (Legacy Command) (90h)

Identification information can be read from the device to enable systems to electronically query and identify the device. The JEDEC standard “Read Manufacturer and Device ID (9Fh)” method, described in Section 12.1, is preferred; however, the legacy Read ID command is supported on the AT25SF321B to enable backwards compatibility to previous generation devices.

To read the identification information, the \overline{CS} pin must first be asserted, and the opcode 90h must be clocked into the device, followed by three dummy bytes. After the opcode has been clocked, in followed by three dummy bytes, the device begins outputting the identification data on the SO pin during the subsequent clock cycles. The first byte output is the Manufacturer ID of 1Fh, followed by a single byte of data representing a device code 15h. After the device code is output, the sequence of bytes repeats.

Deasserting the \overline{CS} pin terminates the Read ID operation and puts the SO pin into a high-impedance state. The \overline{CS} pin can be deasserted at any time and does not require that a full byte of data read.

Figure 12-2. Read ID (Legacy Command)

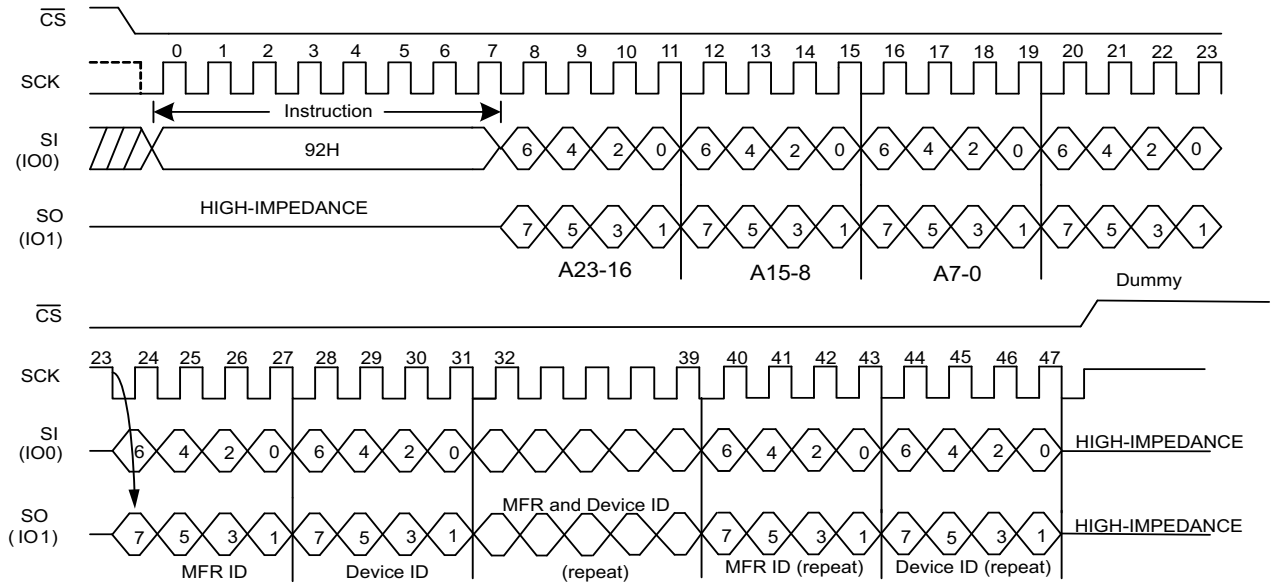


12.3 Dual I/O Read Manufacture ID/ Device ID (92h)

The Dual I/O Read Manufacturer/Device ID instruction is an alternative to the Release from Power-Down/Device ID instruction that provides both the JEDEC-assigned Manufacturer ID and the specific Device ID by Dual I/O.

The instruction is initiated by driving the \overline{CS} pin low and shifting the instruction code 92h, followed by a 24-bit address (A23 - A0) of 000000h. If the 24-bit address is initially set to 000001h, the Device ID is read first.

Figure 12-3. Dual I/O Read Manufacture ID/ Device ID Timing

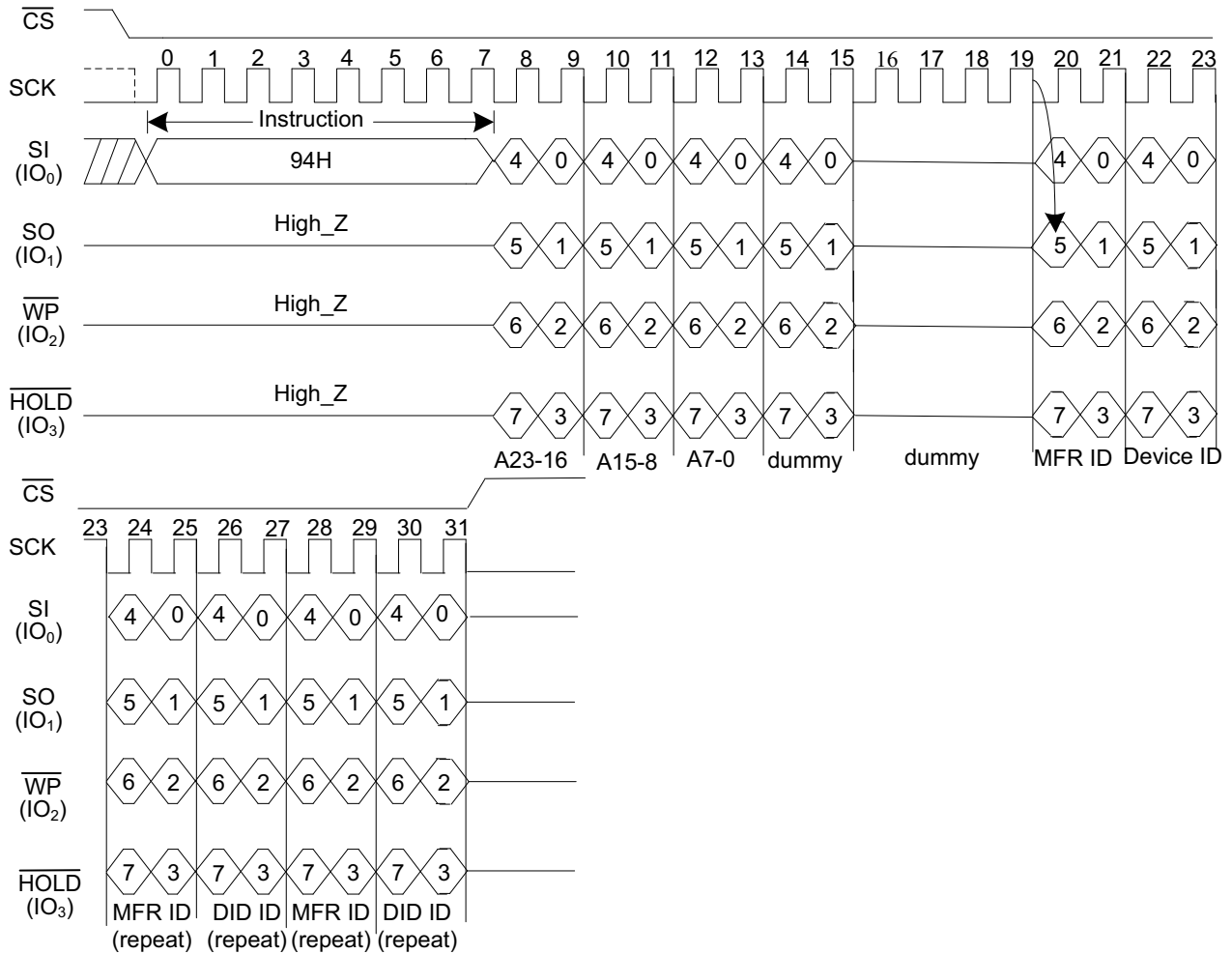


12.4 Quad I/O Read Manufacture ID / Device ID (94h)

The Quad I/O Read Manufacturer/Device ID instruction is an alternative to the Release from Power-Down/Device ID instruction that provides both the JEDEC assigned Manufacturer ID and the specific Device ID by quad I/O.

The instruction is initiated by driving the \overline{CS} pin low and shifting the instruction code 94h, followed by a 24-bit address (A23 - A0) of 000000h and four dummy clocks. If the 24-bit address is initially set to 000001h, the Device ID is read out first.

Figure 12-4. Quad I/O Read Manufacture ID / Device ID Sequence Diagram



12.5 Deep Power-Down (B9h)

During normal operation, the device is placed in Standby Mode to consume less power as long as the \overline{CS} pin remains deasserted and no internal operation is in progress. The Deep Power-Down command lets the device be put into an even lower-power consumption state, called the Deep Power-Down mode.

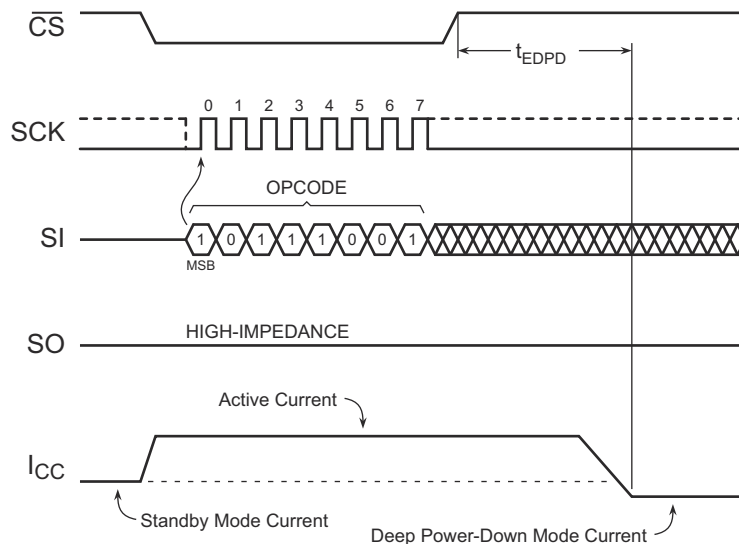
When the device is in the Deep Power-Down mode, all commands, including the Read Status Register command, are ignored, with the exception of the Resume from Deep Power-Down command. Since all commands are ignored, the mode can be used as an extra protection mechanism against program and erase operations.

Entering the Deep Power-Down mode is done by asserting the \overline{CS} pin, clocking in the opcode of B9h, and then deasserting the \overline{CS} pin. Any additional data clocked into the device after the opcode is ignored. When the \overline{CS} pin is deasserted, the device enters the Deep Power-Down mode.

The complete opcode must be clocked in before the \overline{CS} pin is deasserted, and the \overline{CS} pin must be deasserted on a byte boundary (multiples of eight bits); otherwise, the device aborts the operation and returns to the Standby Mode once the \overline{CS} pin is deasserted. Also, the device defaults to the Standby Mode after a power-cycle.

The Deep Power-Down command is ignored if an internally self-timed operation, such as a program or erase cycle, is in progress. The Deep Power-Down command must be reissued after the internally self-timed operation has been completed in order for the device to enter the Deep Power-Down mode.

Figure 12-5. Deep Power-Down



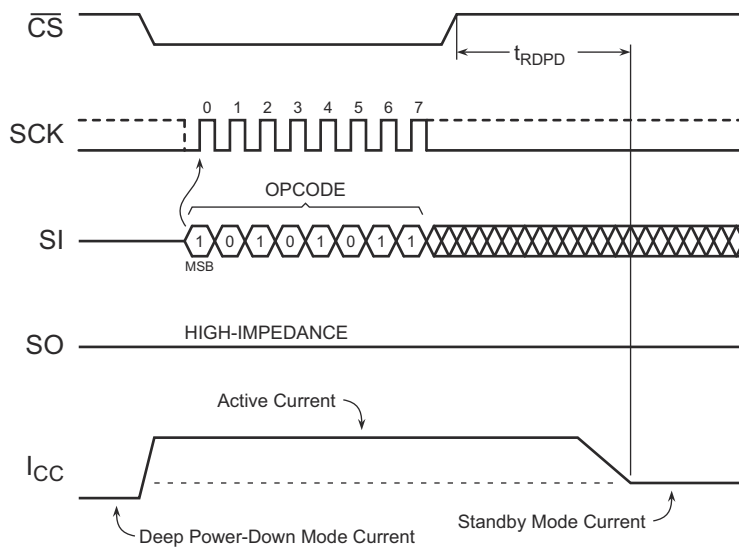
12.6 Resume from Deep Power-Down (ABh)

To exit the Deep Power-Down mode and resume normal device operation, the Resume from Deep Power-Down command must be issued. The Resume from Deep Power-Down command is the only command that the device recognizes while in the Deep Power-Down mode.

To resume from the Deep Power-Down mode, the \overline{CS} pin must be asserted first, and the opcode of ABh must be clocked into the device. Any additional data clocked into the device after the opcode is ignored. When the \overline{CS} pin is deasserted, the device exits the Deep Power-Down mode and returns to the Standby Mode. After the device has returned to the Standby Mode, normal command operations, such as Read Array, can be resumed.

If the complete opcode is not clocked in before the \overline{CS} pin is deasserted, or if the \overline{CS} pin is not deasserted on a byte boundary (multiples of eight bits), the device aborts the operation and returns to the Deep Power-Down mode.

Figure 12-6. Resume from Deep Power-Down



12.6.1 Resume from Deep Power-Down and Read Device ID (ABh)

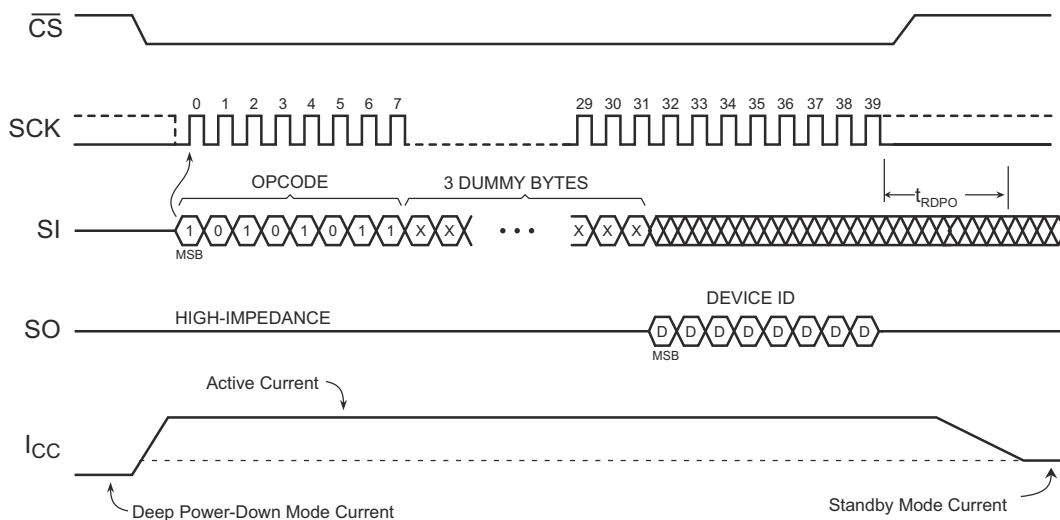
The Resume from Deep Power-Down command also can be used to read the Device ID.

When used to release the device from the Power-Down state and obtain the Device ID, the $\overline{\text{CS}}$ pin must first be asserted and opcode ABh must be clocked into the device, followed by three dummy bytes. The Device ID bits are then shifted out on the falling edge of SCLK with the MSB first, as shown in Figure 12-7. This command only outputs a single byte Device ID. The Device ID value for the AT25SF321B is listed in Table 12-1 on page 39.

After the last bit (0) of the Device ID has been clocked out, the sequence repeats itself, starting again with bit 7, as long as the $\overline{\text{CS}}$ pin remains asserted and the SCK pin is being pulsed. After $\overline{\text{CS}}$ is deasserted, it must remain high until new commands can be received.

The same instruction can be used to read the device ID when not in power down mode. In that case, $\overline{\text{CS}}$ does not have to remain high after it is deasserted.

Figure 12-7. Resume from Deep Power-Down and Read Device ID Timing



12.7 Hold Function

The $\overline{\text{HOLD}}$ pin pauses the serial communication with the device without having to stop or reset the clock sequence. This mode does not affect internally self-timed operations, such as a program or erase cycle. Thus, if an erase cycle is in progress, asserting the $\overline{\text{HOLD}}$ pin does not pause the operation, and the erase cycle continues until it is finished.

If the QE bit value in the Status Register has been set to 1, the $\overline{\text{HOLD}}$ pin does not function as a control pin. The $\overline{\text{HOLD}}$ pin functions as an output for Quad-Output Read and input/output for Quad-I/O Read.

The Hold mode can only be entered while the $\overline{\text{CS}}$ pin is asserted. This mode is activated by asserting the $\overline{\text{HOLD}}$ pin during the SCK low pulse. If the $\overline{\text{HOLD}}$ pin is asserted during the SCK high pulse, the Hold mode is not started until the beginning of the next SCK low pulse. The device remains in this mode as long as the $\overline{\text{HOLD}}$ pin and $\overline{\text{CS}}$ pin are asserted.

While in the Hold mode, the SO pin is in a high-impedance state. Also, both the SI pin and the SCK pin are ignored. The $\overline{\text{WP}}$ pin, however, can be asserted or deasserted while in the Hold mode.

To end the Hold mode and resume serial communication, the $\overline{\text{HOLD}}$ pin must be deasserted during the SCK low pulse. If the $\overline{\text{HOLD}}$ pin is deasserted during the SCK high pulse, the Hold mode does not end until the beginning of the next SCK low pulse.

If the $\overline{\text{CS}}$ pin is deasserted while the $\overline{\text{HOLD}}$ pin is asserted, any operations that have been started are aborted, and the device resets the WEL bit in the Status Register to 0.

13. Electrical Specifications

13.1 Absolute Maximum Ratings

| | |
|--|----------------------------|
| Temperature under Bias | -55 °C to +125 °C |
| Storage Temperature | -65 °C to +150 °C |
| All Input Voltages (including NC Pins) with Respect to Ground | -0.6 V to +4.1 V |
| All Output Voltages with Respect to Ground | -0.6 V to $V_{CC} + 0.5 V$ |

Notice: Stresses beyond those listed here can cause permanent damage to the device. This is a stress rating only; functional operation of the device at these or any other conditions beyond those indicated in the operational sections of this specification is not implied. Exposure to absolute maximum rating conditions for extended periods can affect device reliability.

13.2 DC and AC Operating Range

| Parameter | Condition | Value |
|------------------------------|------------|-----------------|
| Operating Temperature (Case) | Industrial | -40 °C to 85 °C |
| V_{CC} Power Supply | | 2.7 V to 3.6 V |

13.3 DC Characteristics

| Symbol | Parameter | Condition | 2.7 V to 3.6 V | | | Units |
|-----------|---|---|----------------|------------------|------|---------|
| | | | Min | Typ ¹ | Max | |
| I_{DPD} | Deep Power-Down Current | $\overline{CS}, \overline{HOLD}, \overline{WP} = V_{IH}$ All inputs at CMOS levels | | 1 | 3 | μA |
| I_{SB} | Standby Current | $\overline{CS}, \overline{HOLD}, \overline{WP} = V_{IH}$ All inputs at CMOS levels | | 13 | 25 | μA |
| I_{CC1} | Active Current, Read (03h, 0Bh) Operation | f = 20 MHz; $I_{OUT} = 0$ | | 3 | 4.2 | mA |
| | | f = 50 MHz; $I_{OUT} = 0$ | | 3.6 | 5.2 | mA |
| | | f = 85 MHz; $I_{OUT} = 0$ | | 4.6 | 7.8 | mA |
| I_{CC2} | Active Current, (3Bh, BBh Read Operation (Dual) | f = 50 MHz; $I_{OUT} = 0$ | | 4.6 | 6.4 | mA |
| | | f = 85 MHz and 108 MHz; $I_{OUT} = 0$ | | 6.4 | 8.8 | mA |
| I_{CC3} | Active Current, (6Bh, EBh Read Operation (Quad) | f = 50 MHz; $I_{OUT} = 0$ | | 5.6 | 8 | mA |
| | | f = 85 MHz and 108 MHz; $I_{OUT} = 0$ | | 8.2 | 12 | mA |
| I_{CC4} | Active Current, Program Operation | $\overline{CS} = V_{CC}$ | | 9 | 17 | mA |
| I_{CC5} | Active Current, Erase Operation | $\overline{CS} = V_{CC}$ | | 7 | 11.5 | mA |

13.3 DC Characteristics (continued)

| Symbol | Parameter | Condition | 2.7 V to 3.6 V | | | Units |
|----------|------------------------|---------------------------|---------------------|------------------|---------------------|---------|
| | | | Min | Typ ¹ | Max | |
| I_{LI} | Input Load Current | All inputs at CMOS levels | | | ± 2 | μA |
| I_{LO} | Output Leakage Current | All inputs at CMOS levels | | | ± 2 | μA |
| V_{IL} | Input Low Voltage | | -0.5 | | $V_{CC} \times 0.2$ | V |
| V_{IH} | Input High Voltage | | $V_{CC} \times 0.8$ | | $V_{CC} + 0.4$ | V |
| V_{OL} | Output Low Voltage | $I_{OL} = 100 \mu A$ | | | 0.4 | V |
| V_{OH} | Output High Voltage | $I_{OH} = -100 \mu A$ | $V_{CC} - 0.2$ | | | V |

1. Typical values measured at 3.0 V @ 25°C

13.4 AC Characteristics - Maximum Clock Frequencies

| Symbol | Parameter | 2.7 V to 3.6 V | | | Units |
|------------|---|----------------|-----|-----|-------|
| | | Min | Typ | Max | |
| f_{CLK} | Maximum Clock Frequency for all opcodes except 03h, 0Bh, 3Bh, 6Bh | | | 108 | MHz |
| f_{CLK1} | Maximum Clock Frequency for opcodes 0Bh, 3Bh, and 6Bh | | | 85 | MHz |
| f_{CLK2} | Maximum Clock Frequency for 03h opcode | | | 55 | MHz |

13.5 AC Characteristics - All Other Parameters

| Symbol ¹ | Parameter | 2.7 V to 3.6 V | | | Units |
|---------------------|---|----------------|-----|-----|-------|
| | | Min | Typ | Max | |
| t_{CLKH} | Clock High Time | 4 | | | ns |
| t_{CLKL} | Clock Low Time | 4 | | | ns |
| t_{CLKR} | Clock Rise Time, Peak-to-Peak (Slew Rate) | 0.1 | | | V/ns |
| t_{CLKF} | Clock Fall Time, Peak-to-Peak (Slew Rate) | 0.1 | | | V/ns |
| t_{CSH} | \overline{CS} High Time | 20 | | | ns |
| t_{CSLS} | \overline{CS} Low Setup Time (relative to Clock) | 5 | | | ns |
| t_{CSLH} | \overline{CS} Low Hold Time (relative to Clock) | 5 | | | ns |
| t_{CSHS} | \overline{CS} High Setup Time (relative to Clock) | 5 | | | ns |
| t_{CSHH} | \overline{CS} High Hold Time (relative to Clock) | 5 | | | ns |
| t_{DS} | Data In Setup Time | 2 | | | ns |
| t_{DH} | Data In Hold Time | 2 | | | ns |

13.5 AC Characteristics - All Other Parameters (continued)

| Symbol ¹ | Parameter | 2.7 V to 3.6 V | | | Units |
|---------------------|---|----------------|-----|-----|-------|
| | | Min | Typ | Max | |
| t _{DIS} | Output Disable Time | | | 6 | ns |
| t _V | Output Valid Time | | | 7 | ns |
| t _{OH} | Output Hold Time | 0 | | | ns |
| t _{HLS} | $\overline{\text{HOLD}}$ Low Setup Time (relative to Clock) | 5 | | | ns |
| t _{HLH} | $\overline{\text{HOLD}}$ Low Hold Time (relative to Clock) | 5 | | | ns |
| t _{HHS} | $\overline{\text{HOLD}}$ High Setup Time (relative to Clock) | 5 | | | ns |
| t _{HHH} | $\overline{\text{HOLD}}$ High Hold Time (relative to Clock) | 5 | | | ns |
| t _{HLQZ} | $\overline{\text{HOLD}}$ Low to Output High-Z | | | 6 | ns |
| t _{HHQZ} | $\overline{\text{HOLD}}$ High to Output High-Z | | | 6 | ns |
| t _{RES1} | $\overline{\text{CS}}$ High to Standby Mode Without Electronic Signature Read | | | 20 | μs |
| t _{RES2} | $\overline{\text{CS}}$ High to Standby Mode With Electronic Signature Read | | | 20 | μs |
| t _{SUS} | $\overline{\text{CS}}$ High to Next Instruction After Suspend | | | 20 | μs |
| t _{WPS} | Write Protect Setup Time | 20 | | | ns |
| t _{WPH} | Write Protect Hold Time | 100 | | | ns |
| t _{EDPD} | $\overline{\text{CS}}$ High to Deep Power-Down | | | 20 | μs |
| t _{RDPD} | $\overline{\text{CS}}$ High to Standby Mode | | | 20 | μs |
| t _{RDPO} | Resume Deep Power-Down, $\overline{\text{CS}}$ High to ID | | | 20 | μs |

1. Not 100% tested. Value guaranteed by design and characterization.

13.6 Program and Erase Characteristics

| Symbol | Parameter | Condition | 2.7 V to 3.6 V | | | Units |
|-------------------|-------------------------------|-----------|----------------|------------------|------------------|-------|
| | | | Min | Typ ¹ | Max ² | |
| t _{PP} | Page Program Time (256 Bytes) | | | 0.4 | 3.4 | ms |
| t _{BP1} | First Byte Program Time | | | 30 | 50 | μs |
| t _{BP2} | Second Byte Program Time | | | 2.5 | 12 | μs |
| t _{BLKE} | Block Erase Time | 4 kbytes | | 55 | 250 | ms |
| | | 32 kbytes | | 120 | 450 | |
| | | 64 kbytes | | 200 | 700 | |
| t _{CHPE} | Chip Erase Time | | | 10 | 30 | sec |
| t _{WRSR} | Write Status Register Time | | | 5 | 30 | ms |

1. Typical value is measured at 3.0 V, 25°C.

2. Unless specified otherwise, maximum is worst-case measurement at cycling conditions after 100k cycles.

13.7 Power Up Conditions

| Symbol | Parameter | Min | Max | Units |
|------------|--|-----|-----|---------|
| t_{VCSL} | Minimum V_{CC} to Chip Select Low Time | 70 | | μs |

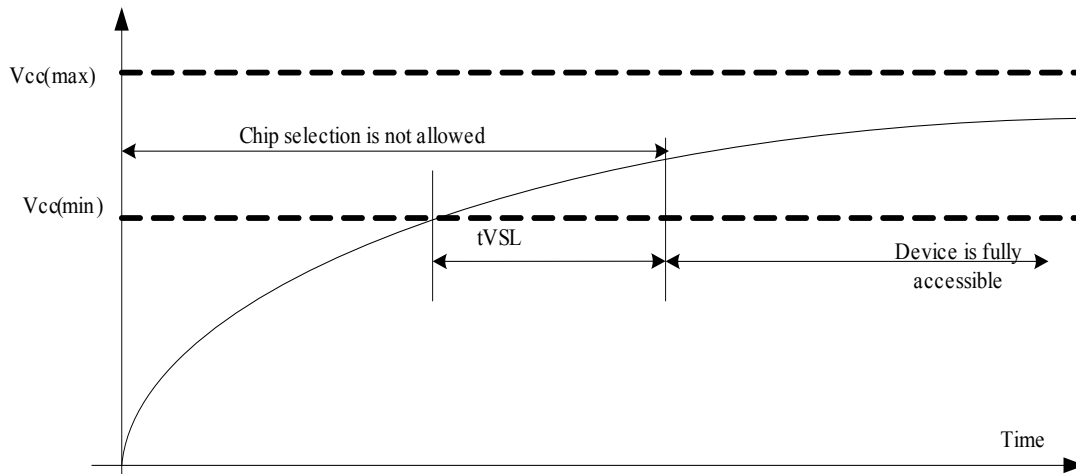
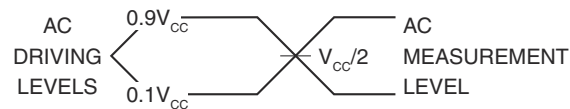
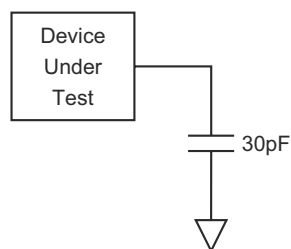


Figure 13-1. Power-up Timing and Voltage Levels

13.8 Input Test Waveforms and Measurement Levels



13.9 Output Test Load



14. AC Waveforms

Figure 14-1. Serial Input Timing

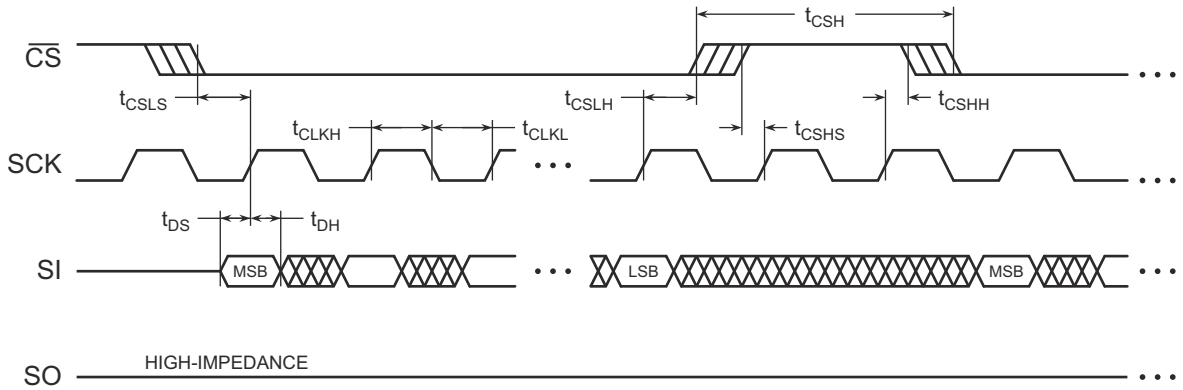


Figure 14-2. Serial Output Timing

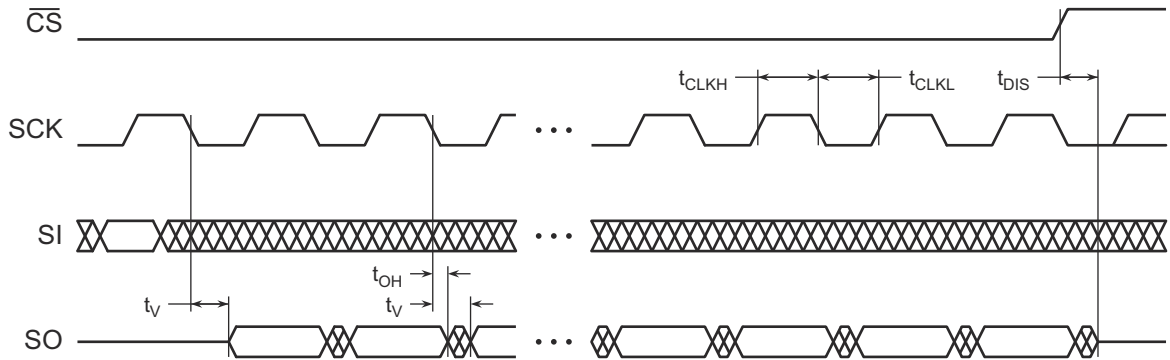


Figure 14-3. \overline{WP} Timing for Write Status Register Command When BPL = 1

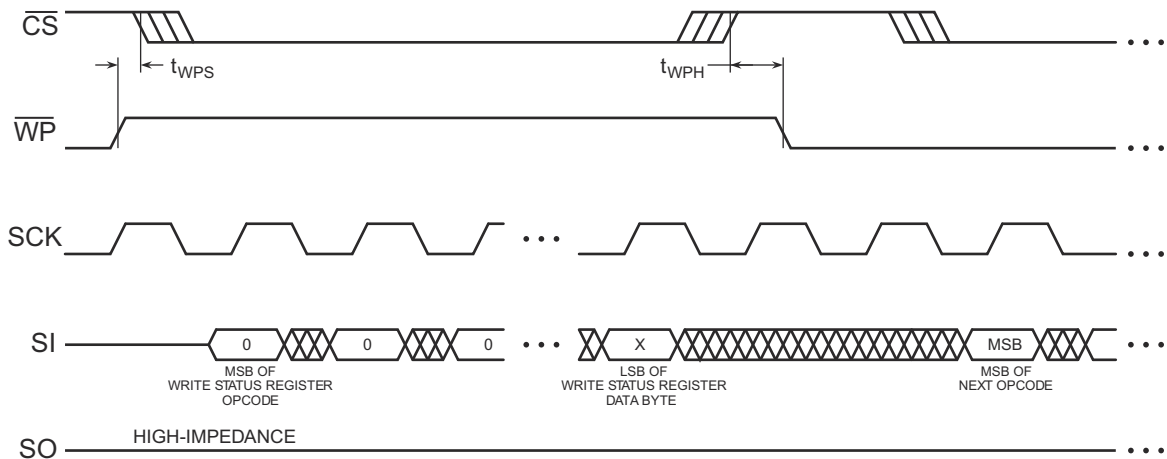


Figure 14-4. $\overline{\text{HOLD}}$ Timing – Serial Input

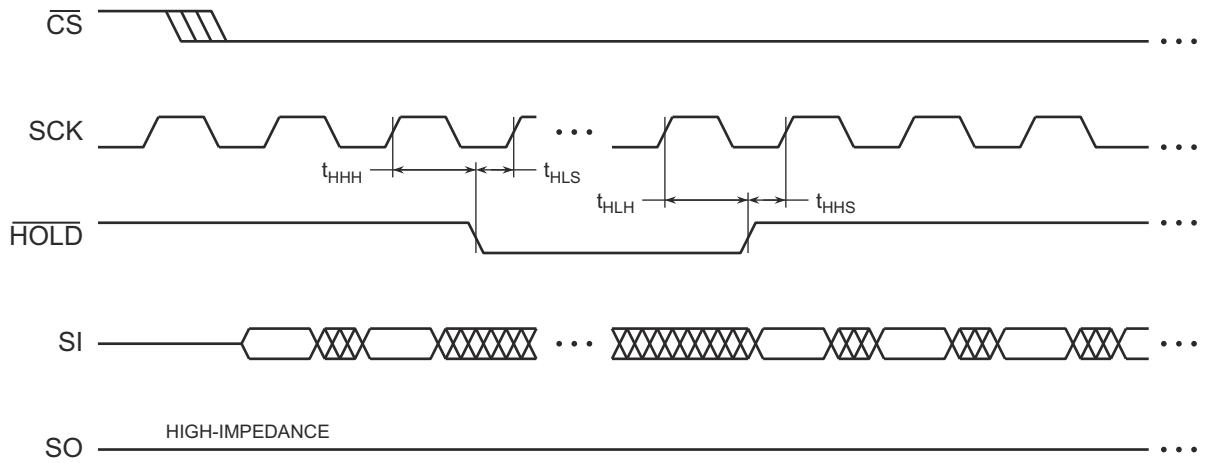
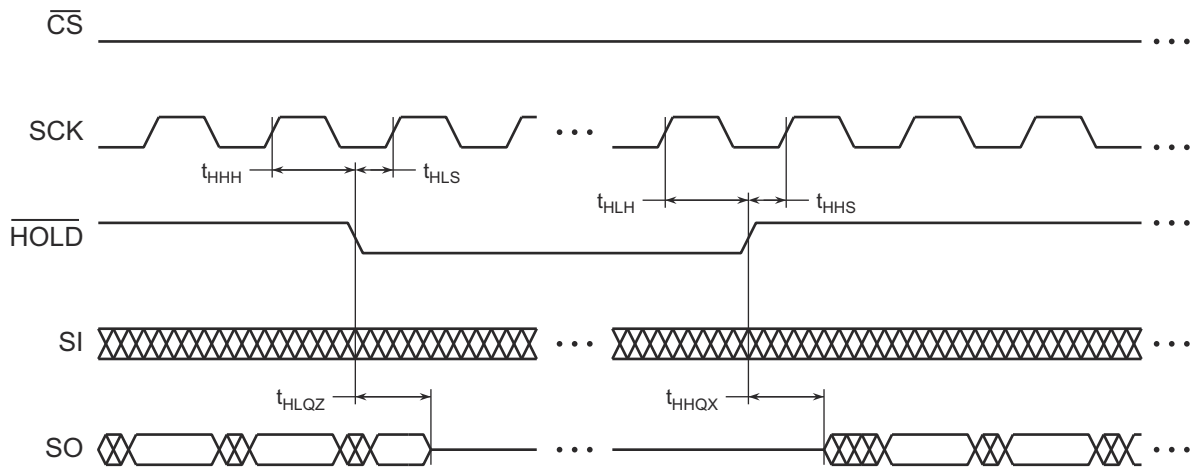
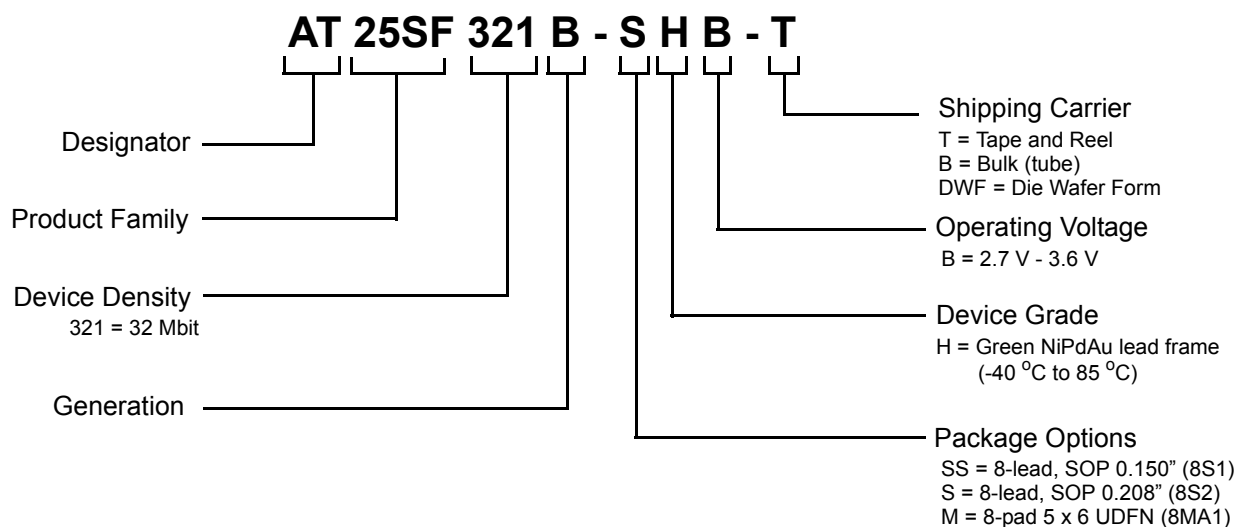


Figure 14-5. $\overline{\text{HOLD}}$ Timing – Serial Output



15. Ordering Information



| Ordering Code ¹ | Package | Operating Voltage | Max. Freq. (MHz) | Operation Range |
|-----------------------------|---------|-------------------|------------------|----------------------------------|
| AT25SF321B-SSHB-B | 8S1 | 2.7 V to 3.6 V | 108 MHz | Industrial (-40 °C to +85 °C) |
| AT25SF321B-SSHB-T | | | | |
| AT25SF321B-SHB-B | 8S2 | | | |
| AT25SF321B-SHB-T | | | | |
| AT25SF321B-MHB-T | 8MA1 | | | |
| AT25SF321B-DWF ² | | | | |

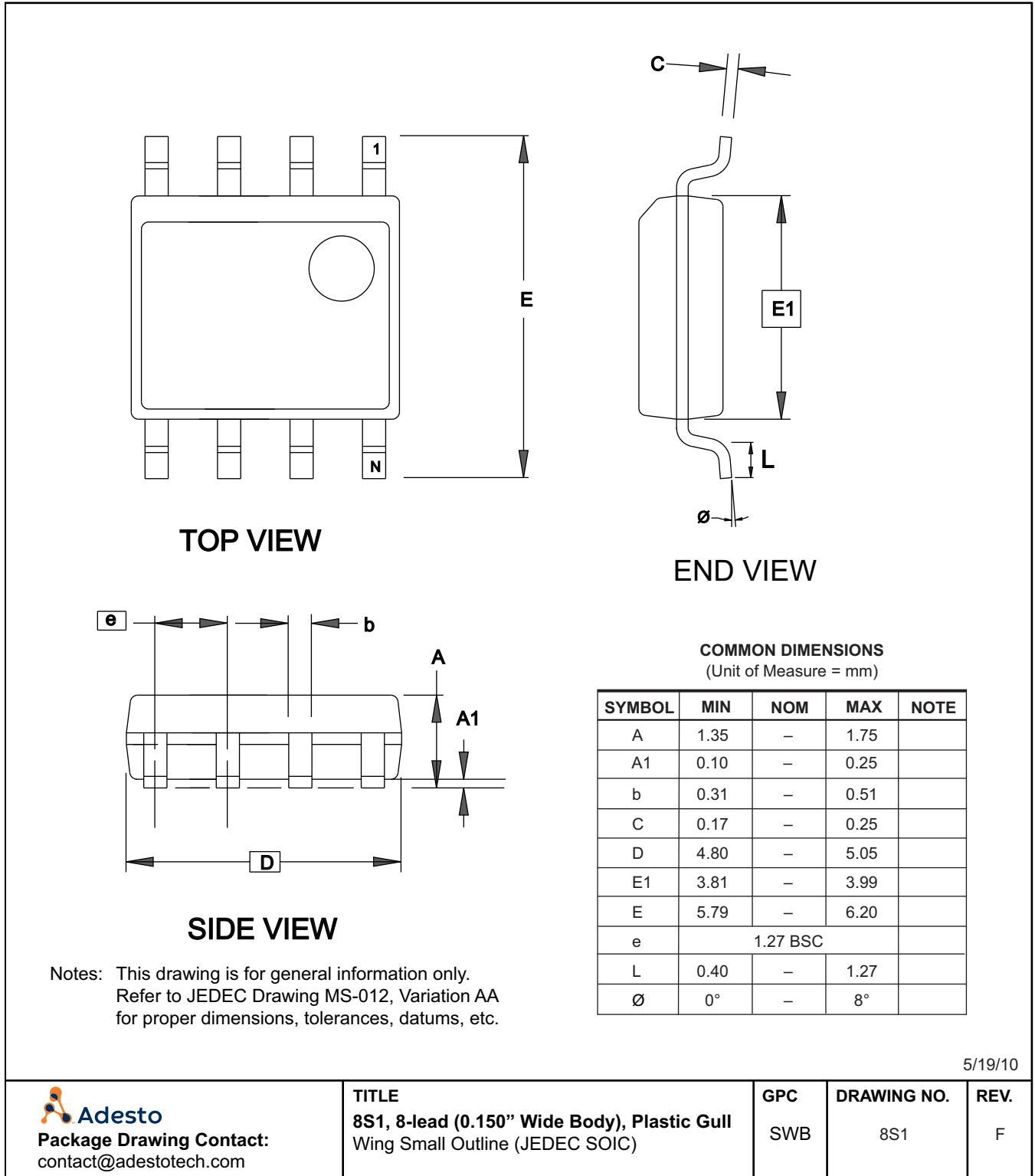
1. The shipping carrier option code is not marked on the devices.

2. Contact Adesto for detailed information.

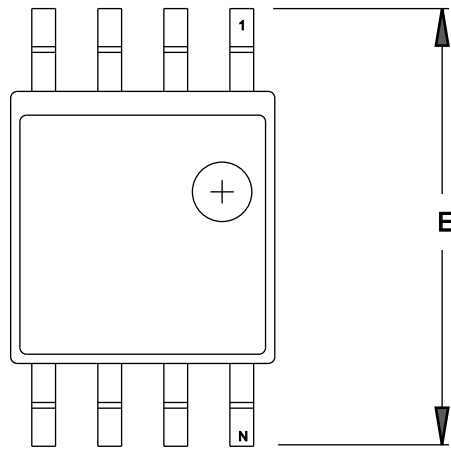
| Package Type | |
|--------------|--|
| 8S1 | 8-lead, 0.150" Narrow, Plastic Gull Wing Small Outline Package (EIAJ SOIC) |
| 8S2 | 8-lead, 0.208" Wide, Plastic Gull Wing Small Outline Package (EIAJ SOIC) |
| 8MA1 | 8-pad (5 x 6 x 0.6mm body), Thermally Enhanced Plastic Ultra-thin Dual Flat No-lead (UDFN) |

16. Packaging Information

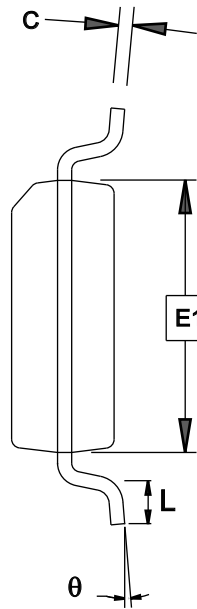
16.1 8S1 – 0.150” Narrow JEDEC SOIC



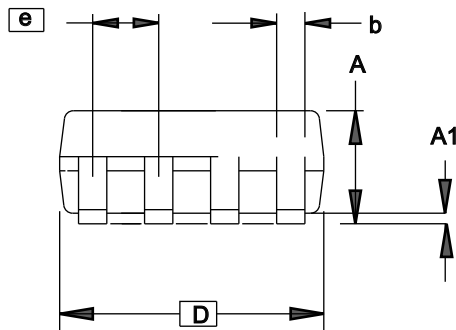
16.2 8S2 – 8-lead, 0.208” Wide EIAJ SOIC



TOP VIEW



END VIEW




SIDE VIEW

COMMON DIMENSIONS
(Unit of Measure = mm)

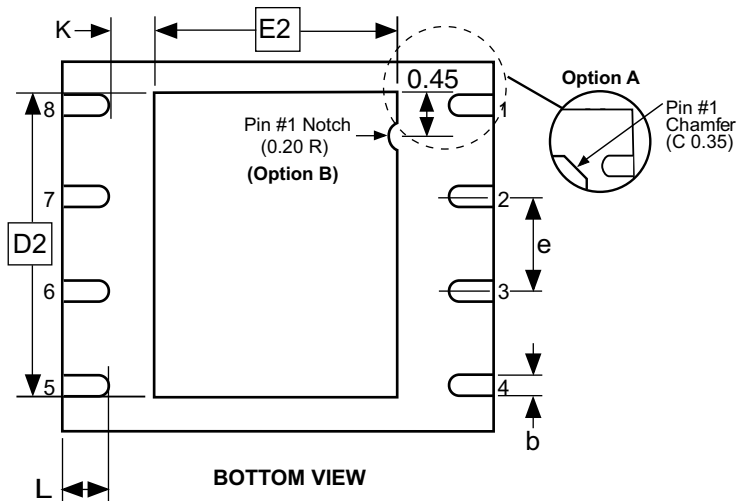
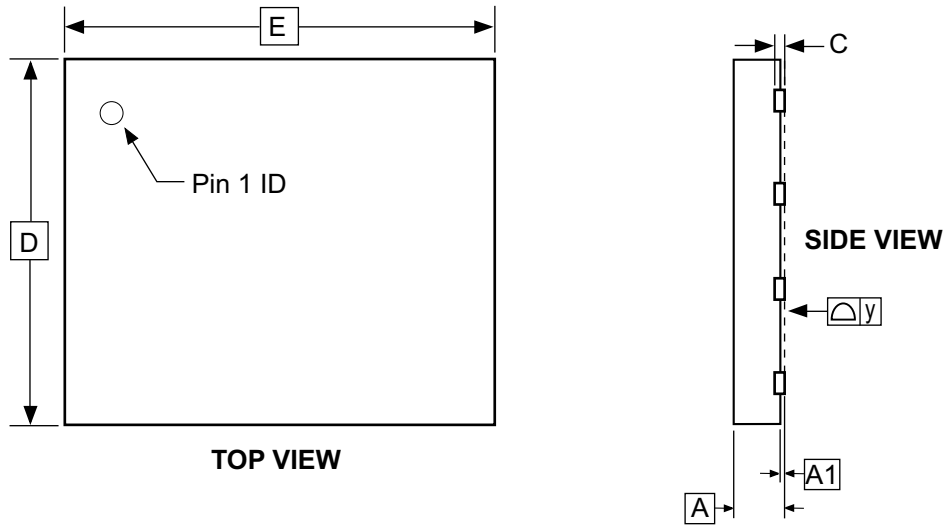
| SYMBOL | MIN | NOM | MAX | NOTE |
|----------|----------|-----|------|------|
| A | 1.70 | | 2.16 | |
| A1 | 0.05 | | 0.25 | |
| b | 0.35 | | 0.48 | 4 |
| C | 0.15 | | 0.35 | 4 |
| D | 5.13 | | 5.35 | |
| E1 | 5.18 | | 5.40 | 2 |
| E | 7.70 | | 8.26 | |
| L | 0.51 | | 0.85 | |
| θ | 0° | | 8° | |
| e | 1.27 BSC | | | 3 |

- Notes: 1. This drawing is for general information only; refer to EIAJ Drawing EDR-7320 for additional information.
 2. Mismatch of the upper and lower dies and resin burrs aren't included.
 3. Determines the true geometric position.
 4. Values b,C apply to plated terminal. The standard thickness of the plating layer shall measure between 0.007 to .021 mm.

4/15/08

| | | | | |
|---|---|-------------------|---------------------------|------------------|
|  Adesto Package Drawing Contact: contact@adestotech.com | TITLE 8S2, 8-lead, 0.208” Body, Plastic Small Outline Package (EIAJ) | GPC STN | DRAWING NO. 8S2 | REV. F |
|---|---|-------------------|---------------------------|------------------|

16.3 8MA1 – UDFN




COMMON DIMENSIONS
(Unit of Measure = mm)

| SYMBOL | MIN | NOM | MAX | NOTE |
|--------|-----------|------|------|------|
| A | 0.45 | 0.55 | 0.60 | |
| A1 | 0.00 | 0.02 | 0.05 | |
| b | 0.35 | 0.40 | 0.48 | |
| C | 0.152 REF | | | |
| D | 4.90 | 5.00 | 5.10 | |
| D2 | 3.80 | 4.00 | 4.20 | |
| E | 5.90 | 6.00 | 6.10 | |
| E2 | 3.20 | 3.40 | 3.60 | |
| e | 1.27 | | | |
| L | 0.50 | 0.60 | 0.75 | |
| y | 0.00 | – | 0.08 | |
| K | 0.20 | – | – | |

Notes: 1. This package conforms to JEDEC reference MO-229, Saw Singulation.
2. The terminal #1 ID is a Laser-marked Feature.

4/15/08

| | | | | |
|---|---|------------|--------------------|-------------|
|  Package Drawing Contact: contact@adestotech.com | TITLE 8MA1 , 8-pad (5 x 6 x 0.6 mm Body), Thermally Enhanced Plastic Ultra Thin Dual Flat No Lead Package (UDFN) | GPC | DRAWING NO. | REV. |
| | | YFG | 8MA1 | D |

17. Revision History

| Revision Number | Date | Tasks |
|-----------------|---------|---|
| A | 5/2019 | Initial release of AT25SF321B data sheet. |
| B | 6/2019 | Revision B of AT25SF321B data sheet. Change maximum frequency from 85 MHz to 108 MHz. Update fclk, fclk1, and fclk2 parameters in Table 12.4. Update maximum frequency in Ordering Code table. |
| C | 01/2020 | Changes to Section 6.4, Quad-Output Read Array (6Bh). Addition of three rows to Table 12.5. Added ordering number for Die Wafer Form in Section 15. Inclusion of section 7.5.2 for opcode 77h, section 7.6 for E7h, section 8.2 for 32h, section 9.5 for 66h and 99h, section 10.1 for 4Bh. Changed SEC bit to BP4, and TBB bit to BP3. Complete text edit for grammar, syntax, and consistency. |
| D | 5/2020 | Changes to several numbers in Tables 13.3. and 13.6. Addition of notes to Tables 13.3, 13.5, and 13.6. Removed "Preliminary" from title page. |



Adesto

Corporate Office

California | USA

Adesto Headquarters

3600 Peterson Way

Santa Clara, CA 95054

Phone: (+1) 408.400.0578

Email: contact@adestotech.com

Copyright © 2019 Adesto Technologies. All rights reserved. DS-AT25SF321B-179D-05-2020

Adesto, the Adesto logo, CBRAM and DataFlash are trademarks or registered trademarks of Adesto Technologies Corporation in the United States and other countries. Other company, product, and service names may be trademarks or service marks of others. Adesto products are covered by one or more patents listed at <http://www.adestotech.com/patents>.

Disclaimer: Adesto Technologies Corporation ("Adesto") makes no warranties of any kind, other than those expressly set forth in Adesto's Terms and Conditions of Sale at <http://www.adestotech.com/terms-conditions>. Adesto assumes no responsibility or obligations for any errors which may appear in this document, reserves the right to change devices or specifications herein at any time without notice, and does not make any commitment to update the information contained herein. No licenses to patents or other intellectual property of Adesto are granted by Adesto herewith or in connection with the sale of Adesto products, expressly or by implication. Adesto's products are not authorized for use in medical applications (including, but not limited to, life support systems and other medical equipment), weapons, military use, avionics, satellites, nuclear applications, or other high risk applications (e.g., applications that, if they fail, can be reasonably expected to result in personal injury or death) or automotive applications, without the express prior written consent of Adesto.