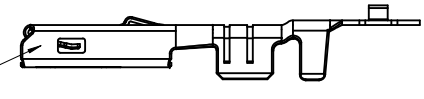
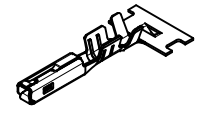


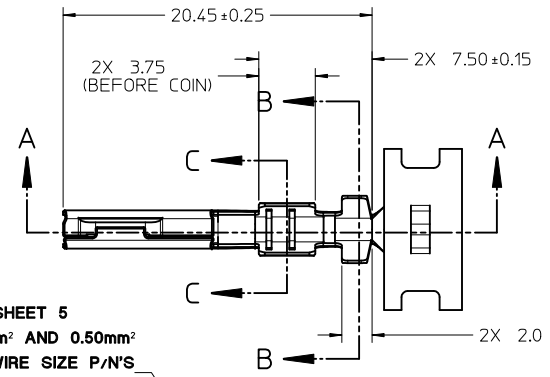
DIMENSIONS FOR LARGE POLARIZATION RIB TERMINAL ONLY



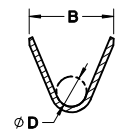
STAMP PLATING TYPE
 Sn-TIN, Au-GOLD OR
 Ag-SILVER IN THIS
 AREA



SCALE 2:1

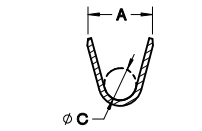
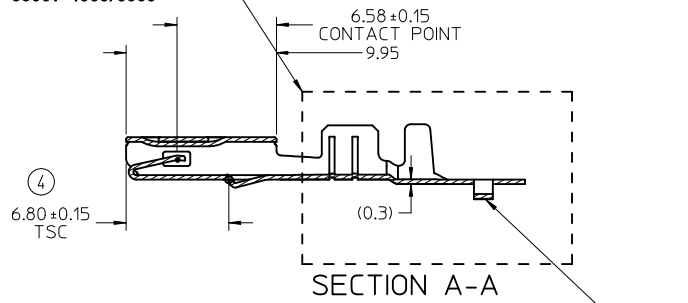
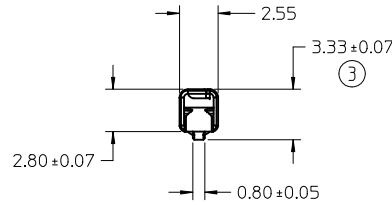


SEE SHEET 5
 0.35mm² AND 0.50mm²
 ISO WIRE SIZE P/N'S
 33012-2004/3004
 33001-4005/5005

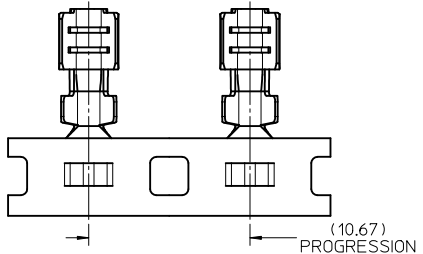


SECTION B-B
 SCALE 5:1

- NOTES: (UNLESS OTHERWISE SPECIFIED)
- MATING TERMINAL SHOWN ON SD-33000-001
 - MATERIAL: ASTM B422, UNS C19025, HR04
 THICKNESS: 0.30 mm ±0.01
 TEMPER: FULL HARD (REF)
 TENSILE: 496 MIN MPA
 - TIN PLATED TERMINAL FINISH:
 OVERALL UNDERPLATE ELECTRODEPOSITED NICKEL
 OVERALL ELECTRODEPOSITED REFLOW TIN
 - GOLD PLATED TERMINAL FINISH
 OVERALL UNDERPLATE ELECTRODEPOSITED DUCTILE SULFAMATE NICKEL
 CONTACT AREA - ELECTRODEPOSITED GOLD
 GRIP AREA - ELECTRODEPOSITED 100% TIN MATTE FINISH
 - SILVER PLATED TERMINAL FINISH
 OVERALL UNDERPLATE ELECTRODEPOSITED DUCTILE SULFAMATE NICKEL
 CONTACT AREA - ELECTRODEPOSITED PURE SILVER (0.5% MAX
 IMPURITIES) SEMI-BRIGHT FINISH
 - SILVER ANTI-TARNISH : EVABRITE
 GRIP AREA - ELECTRODEPOSITED 100% TIN MATTE FINISH
 - MEETS PERFORMANCE SPECIFICATION FOR CABLE TO TERMINAL
 ELECTRICAL CRIMPS PER SAE/USCAR-21 (8/2001)
 - MEETS PERFORMANCE STANDARD FOR AUTOMOTIVE ELECTRICAL
 CONNECTOR SYSTEMS FOR SAE/USCAR-2, REV. 4 (TEMP CLASS 3)
 (4/2001)
 - MEETS ELECTRICAL CONNECTION SYSTEM DESIGN SPECIFICATION
 (SDS) REV:11 (5/2002)
 - MEETS FIELD CORRELATED LIFE TEST (FCLT) PER
 SAE/USCAR-20 (11/2001)
 - MEETS WIRING COMPONENT DESIGN GUIDELINES SAE/USCAR-12
 REV 2 (12/2001)
 - TSC ON A DIMENSION TO BE INTERPRETED AS DISTANCE TO
 A THEORETICAL SHARP CORNER AS IF THE RADIUS WERE NOT
 PRESENT
 - REFERENCE 97BG-14474-AAB FOR LARGE POLARIZATION RIB
 CAVITY SPECIFICATION
 - INSERTION FORCE (TIN) AVG. FROM PV TESTING =
 3.8N LARGE POLARIZATION RIB
 3.5N SMALL POLARIZATION RIB
 (REFERENCE)
 - ALL DIMENSIONS EXCEPT ①, ②, ③ & ④ ARE COMMON TO
 BOTH SMALL AND LARGE POLARIZATION RIB TERMINALS
 - REFERENCE PK-31300-516 FOR REEL DIRECTION
 - REFERENCE AS-33012-002 FOR CRIMP INFORMATION

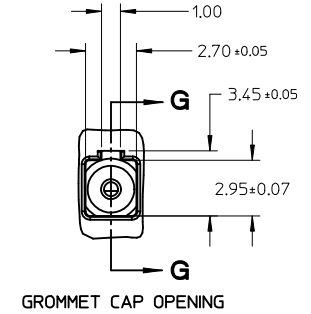
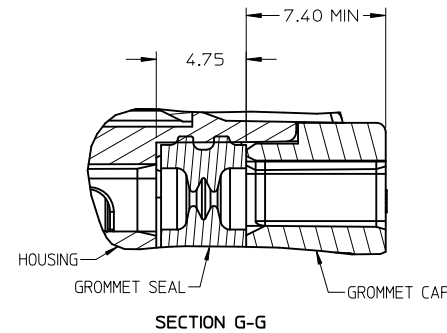


SECTION C-C
 SCALE 5:1



ENTER DESCRIPTION EC NO: UAU2011-1208 DRWN:ADHIR 2011/06/28 CHKD: APPR:BMOSER 2011/07/06 REV: B3	QUALITY SYMBOLS 	GENERAL TOLERANCES (UNLESS SPECIFIED) <table border="1"> <tr> <th></th> <th>mm</th> <th>INCH</th> </tr> <tr> <td>4 PLACES</td> <td>± 0.10</td> <td>± 0.004</td> </tr> <tr> <td>3 PLACES</td> <td>± 0.005</td> <td>± 0.0002</td> </tr> <tr> <td>2 PLACES</td> <td>± 0.10</td> <td>± 0.004</td> </tr> <tr> <td>1 PLACE</td> <td>± 0.3</td> <td>± 0.012</td> </tr> </table>		mm	INCH	4 PLACES	± 0.10	± 0.004	3 PLACES	± 0.005	± 0.0002	2 PLACES	± 0.10	± 0.004	1 PLACE	± 0.3	± 0.012	DIMENSION STYLE MM ONLY DRAWN BY: L. PULLIAM DATE: 2005/06/21 CHECKED BY: A. DHIR DATE: 2005/06/21 APPROVED BY: B. MOSER DATE: 2005/06/22 MATERIAL NO.: DOCUMENT NO.:	SCALE: 4:1 DESIGN UNITS: METRIC THIRD ANGLE PROJECTION	MX150 RECEPTACLE TERMINAL MOLEX INCORPORATED SD-33012-002 SHEET NO. 1 OF 5
		mm	INCH																	
	4 PLACES	± 0.10	± 0.004																	
	3 PLACES	± 0.005	± 0.0002																	
2 PLACES	± 0.10	± 0.004																		
1 PLACE	± 0.3	± 0.012																		
DRAFT WHERE APPLICABLE MUST REMAIN WITHIN DIMENSIONS	SEE TABLE	THIS DRAWING CONTAINS INFORMATION THAT IS PROPRIETARY TO MOLEX INCORPORATED AND SHOULD NOT BE USED WITHOUT WRITTEN PERMISSION																		

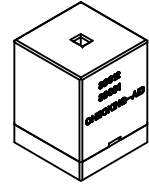
TABLE										
SUPPLIER PART NUMBER		PLATING	GRIP CODE	WIRE APPLICATION		A +0.30	B +0.30	C +0.30	D +0.30	COMMENTS
SMALL POLARIZATION RIB	RIGHT PAYOFF DIRECTION B			SAE (AWG)	METRIC (mm ²)					
33012-2001	33012-3001	TIN	14	14/16	2.0-15	3.9	4.4	1.7	1.6	
33012-2002	33012-3002	TIN	18	18/20	1.0-0.75	3.3	3.1	1.3	1.4	
33012-2003	33012-3003	TIN	22	22	0.35-0.50	2.5	2.6	0.9	1.0	
33012-2004	33012-3004	TIN	M3	N/A	0.35-0.50	2.5	2.7	0.9	1.54±0.1	PREFERRED TERMINAL FOR USE IN SEALED APPLICATION WITH 0.35& 0.50 WIRES (OD 1.2-1.7mm)
33001-2003	33001-3003	GOLD	14	14/16	2.0-15	3.9	4.4	1.7	1.6	
33001-2004	33001-3004	GOLD	18	18/20	1.0-0.75	3.3	3.1	1.3	1.4	
33001-2005	33001-3005	GOLD	22	22	0.35-0.50	2.5	2.6	0.9	1.0	
33001-4001	33001-5001	SILVER	14	14/16	2.0-15	3.9	4.4	1.7	1.6	
33001-4002	33001-5002	SILVER	18	18/20	1.0-0.75	3.3	3.1	1.3	1.4	
33001-4003	33001-5003	SILVER	22	22	0.35-0.50	2.5	2.6	0.9	1.0	
33001-4005	33001-5005	SILVER	M3	N/A	0.35-0.50	2.5	2.7	0.9	1.54±0.1	PREFERRED TERMINAL FOR USE IN SEALED APPLICATION WITH 0.35& 0.50 WIRES (OD 1.2-1.7mm) USE IN CLASS 3 (125° C) APPLICATIONS ONLY
LARGE POLARIZATION RIB - NOT TO BE USED IN MX150 SEALED CONNECTORS										
33012-2021	33012-3021	TIN	14	14/16	2.0-15	3.9	4.4	1.7	1.6	
33012-2022	33012-3022	TIN	18	18/20	1.0-0.75	3.3	3.1	1.3	1.4	
33012-2023	33012-3023	TIN	22	22	0.35-0.50	2.5	2.6	0.9	1.0	
33001-2021	33001-3021	GOLD	14	14/16	2.0-15	3.9	4.4	1.7	1.6	
33001-2022	33001-3022	GOLD	18	18/20	1.0-0.75	3.3	3.1	1.3	1.4	
33001-2023	33001-3023	GOLD	22	22	0.35-0.50	2.5	2.6	0.9	1.0	
33001-4021	33001-5021	SILVER	14	14/16	2.0-15	3.9	4.4	1.7	1.6	
33001-4022	33001-5022	SILVER	18	18/20	1.0-0.75	3.3	3.1	1.3	1.4	
33001-4023	33001-5023	SILVER	22	22	0.35-0.50	2.5	2.6	0.9	1.0	



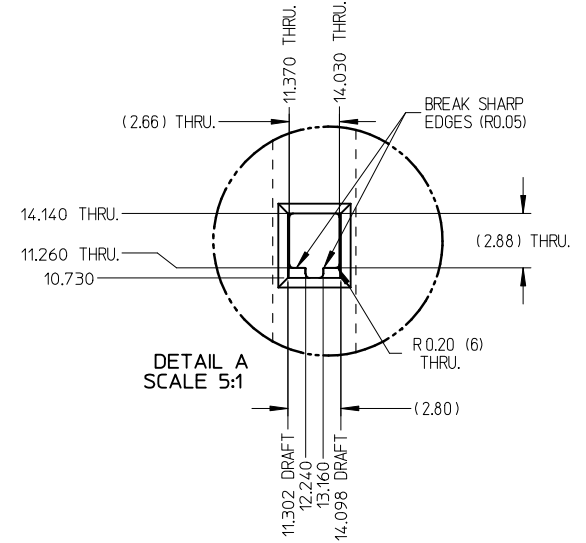
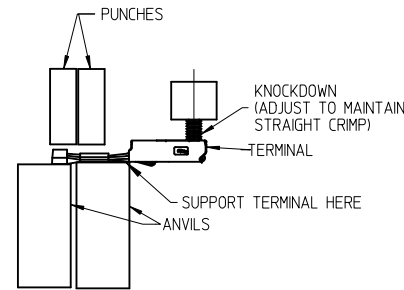
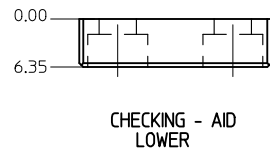
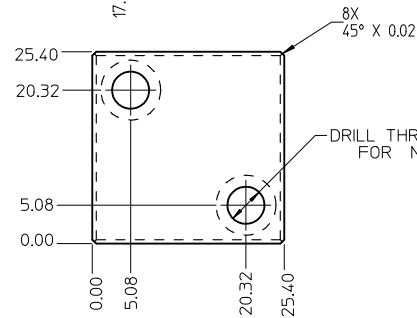
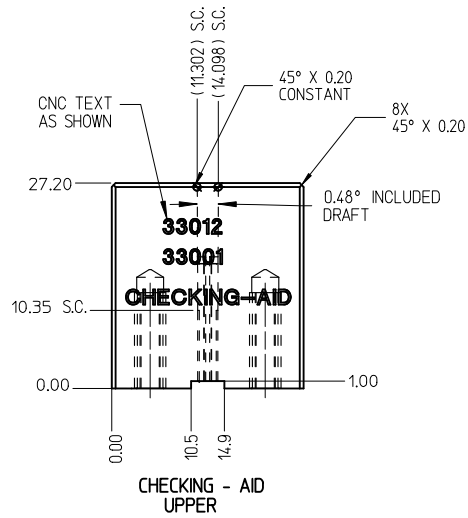
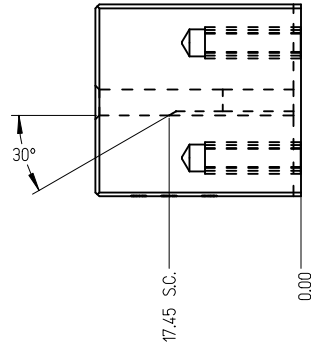
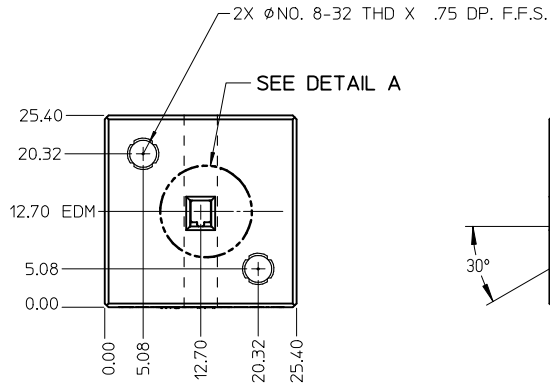
**GROMMET SEAL / CAP CONFIGURATION TO MODIFY
LARGE POLARIZATION RIB CAVITY TO ACCEPT
SMALL POLARIZATION RIB APPLICATIONS**

ENTER DESCRIPTION EC NO: UAU2011-1208 DRWN:ADHIR 2011/06/28 CHKD: APPR:BMOSER 2011/07/06 B3	QUALITY SYMBOLS	GENERAL TOLERANCES (UNLESS SPECIFIED)	DIMENSION STYLE MM ONLY	SCALE	DESIGN UNITS METRIC	THIRD ANGLE PROJECTION
	▽=0	mm INCH	DRAWN BY DATE L. PULLIAM 2005/06/21	TITLE	MX150 RECEPTACLE TERMINAL	Molex MOLEX INCORPORATED
	▽=0	4 PLACES ± --- ± ---	CHECKED BY DATE A. DHIR 2005/06/21	DOCUMENT NO.		
	▽=0	3 PLACES ± 0.005 ± ---	APPROVED BY DATE B. MOSER 2005/06/22	SIZE	SD-33012-002	SHEET NO. 2 OF 5
	2 PLACES ± 0.10 ± ---	DRAFT WHERE APPLICABLE MUST REMAIN WITHIN DIMENSIONS	SEE TABLE	THIS DRAWING CONTAINS INFORMATION THAT IS PROPRIETARY TO MOLEX INCORPORATED AND SHOULD NOT BE USED WITHOUT WRITTEN PERMISSION		

THIS CHECKING - AID IS FOR SMALL POLARIZATION RIB TERMINALS ONLY



CHECKING - AID ASSEMBLY
SCALE 1:1

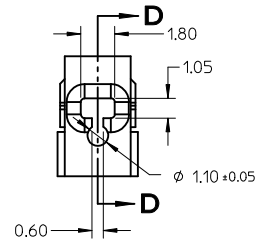
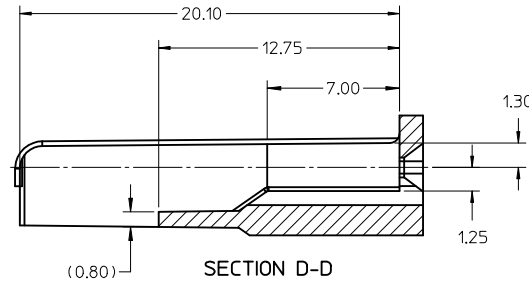
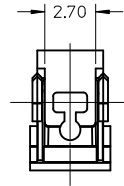


CRIMP REQUIREMENTS:

1. CRIMP STRAIGHTNESS MUST BE MAINTAINED USE A KNOCKDOWN TOOL LOCATED AS SHOWN TERMINAL BOX MUST NOT BE DEFORMED
2. AFTER CRIMPING, THE CRIMPED TERMINAL (AND UP TO 5 mm OF WIRE PAST THE INSULATOR CUTOFF TAB) MUST FIT FREELY INTO THE CHECKING-AID SHOWN ON THIS PAGE
3. FOR OTHER MECHANICAL REQUIREMENTS ON CRIMPED TERMINALS, REFER TO SAE/USCAR-21 (5-13-02) SECTIONS 4.2 (VISUAL INSPECTION), 4.2 (CROSS SECTION ANALYSIS) AND 4.4 (CONDUCTOR CRIMP PULLOUT FORCE)

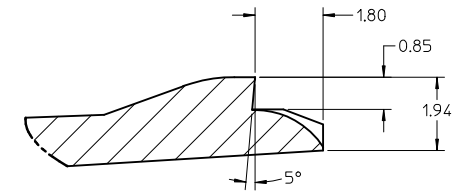
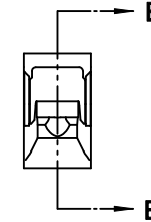
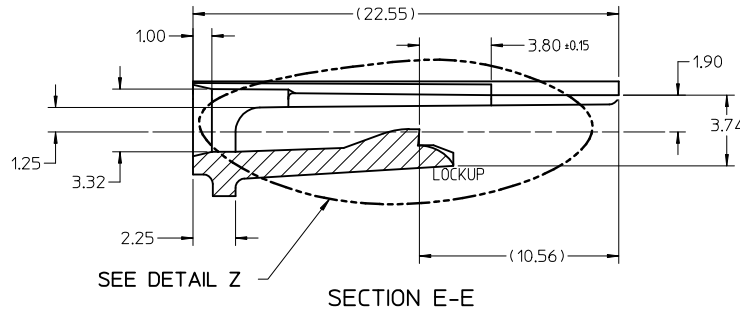
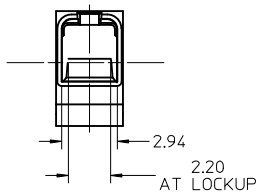
UPPER & LOWER CHECKING-AID
A2 TOOL STEEL
HARDEN & GRIND
ROCKWELL "C" 56-58

ENTER DESCRIPTION EC NO: UAU2011-1208 DRWN:ADHIR 2011/06/28 CHKD: APPR:BMOSER 2011/07/06 REV:	QUALITY SYMBOLS	GENERAL TOLERANCES (UNLESS SPECIFIED)	DIMENSION STYLE	SCALE	DESIGN UNITS	THIRD ANGLE PROJECTION
	▽=0	mm INCH	MM ONLY	2:1	METRIC	
	▽=0	4 PLACES ± --- ± ---	DRAWN BY DATE	TITLE		
	▽=0	3 PLACES ± 0.005 ± ---	L. PULLIAM 2005/06/21	MX150 RECEPTACLE TERMINAL		
		2 PLACES ± 0.10 ± ---	CHECKED BY DATE	MOLEX INCORPORATED		
		1 PLACE ± 0.3 ± ---	A. DHIR 2005/06/21	SD-33012-002		
		ANGULAR ± 3 °	APPROVED BY DATE	SHEET NO.		
			B. MOSER 2005/06/22	3 OF 5		
		DRAFT WHERE APPLICABLE MUST REMAIN WITHIN DIMENSIONS	MATERIAL NO.	DOCUMENT NO.		
			SEE TABLE	SD-33012-002		
			SIZE C	THIS DRAWING CONTAINS INFORMATION THAT IS PROPRIETARY TO MOLEX. INCORPORATED AND SHOULD NOT BE USED WITHOUT WRITTEN PERMISSION		

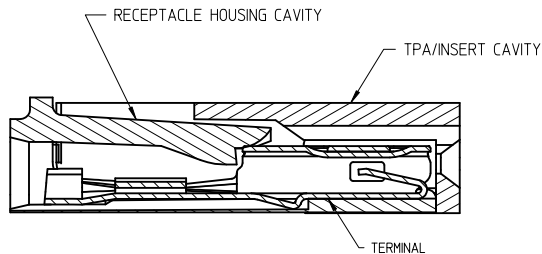


NOTES: UNLESS OTHERWISE SPECIFIED

1. TOLERANCES: LINEAR ± 0.10
ANGULAR $\pm 3^\circ$
2. ALL DRAFT WITHIN TOLERANCE.
3. MAX RADII ON ALL CORNERS SHOWN SHARP: 0.10
4. MAX FLASH PERMISSIBLE: 0.1
5. EJECTOR PIN MARKS PERMISSIBLE IF FLUSH TO 0.25 BELOW SURFACE.
6. MATERIAL: HOUSING/FINGER SPECIFICATION ENGINEERED FOR MATERIAL WITH THE FOLLOWING PROPERTIES:
A. FLEXURAL MODULUS = 4,500 TO 9,400 MPa
PER ASTM TEST D790
B. ELONGATION AT YIELD = 2.3% OR BETTER
PER ASTM TEST D638 TYPE V
7. CAVITY SPEC FOR USE ONLY WITH MOLEX RECEPTACLE
TERMINAL PART NUMBERS SPECIFIED ELSEWHERE ON THIS
DRAWING

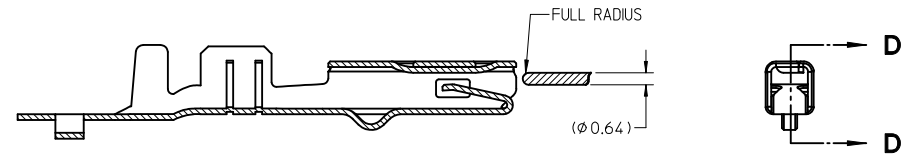
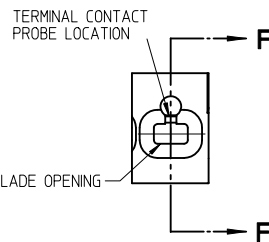


DETAIL Z
SCALE 20:1



SECTION F-F

RECEPTACLE CAVITY ASSEMBLED VIEWS
FOR SMALL POLARIZATION RIB APPLICATIONS
FIG. 1



SECTION D-D
FOR LARGE POLARIZATION RIB APPLICATIONS
FIG. 2

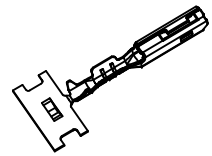
PROBING DOWN THE
THROAT MUST USE
THIS TERMINAL PROBE

PROBE PIN DETAILS:
MANUFACTURER: LONE STAR INDUSTRIAL
PART NUMBER: LS054R-403-N-4.6
PIN DIAMETER: 0.025 IN (0.64mm)
TIP SHAPE: SPHERICAL
TEL: 915-779-7255

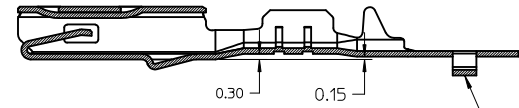
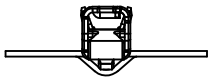
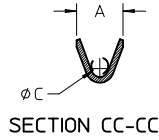
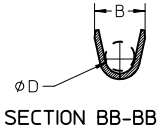
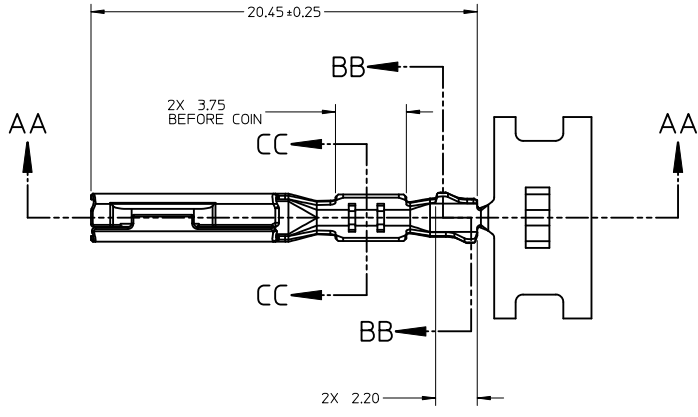
PREFERRED PROBING LOCATION
IS NOT ON SPRING MEMBER

IF ELECTRICAL CONTINUITY PROBE
TOUCHES SPRING MEMBER USE
PROBING AS SHOWN IN FIG. 2

ENTER DESCRIPTION EC NO: UAU2011-1208 DRAWN BY: DRWINADHIR CHKD: APPR: BMOSEK REV: B3	QUALITY SYMBOLS ▽=0 ▽=0 ▽=0	GENERAL TOLERANCES (UNLESS SPECIFIED)	DIMENSION STYLE MM ONLY		SCALE 5:1	DESIGN UNITS METRIC	THIRD ANGLE PROJECTION
			4 PLACES ± --- ± ---	3 PLACES ± 0.005 ± ---	DRAWN BY L. PULLIAM	DATE 2005/06/21	TITLE MX150 RECEPTACLE TERMINAL
			2 PLACES ± 0.10 ± ---	1 PLACE ± 0.3 ± ---	APPROVED BY A. DHIR	DATE 2005/06/21	MATERIAL NO. SEE TABLE
			ANGULAR ± 3°		APPROVED BY B. MOSER	DATE 2005/06/22	
DRAFT WHERE APPLICABLE MUST REMAIN WITHIN DIMENSIONS		SIZE C		THIS DRAWING CONTAINS INFORMATION THAT IS PROPRIETARY TO MOLEX INCORPORATED AND SHOULD NOT BE USED WITHOUT WRITTEN PERMISSION			
				SHEET NO. 4 OF 5			



ISO VIEW
SCALE 2:1



SECTION AA-AA

P/N'S 33012-2004/3004
33001-4005/6005

CARRIER BUMP DIRECTION
POINTS DOWN FOR TIN PLATED TERMINAL
POINTS UP FOR PRECIOUS METAL PLATED TERMINAL

ENTER DESCRIPTION EC NO: UAU2011-1208 DRWN:ADHIR CHKD: APPR:BMOSER 2011/06/28 2011/07/06	QUALITY SYMBOLS ▽=0 ▽=0 ▽=0	GENERAL TOLERANCES (UNLESS SPECIFIED)		DIMENSION STYLE MM ONLY	SCALE 5:1	DESIGN UNITS METRIC	THIRD ANGLE PROJECTION		
		4 PLACES ± --- ± --- 3 PLACES ± 0.005 ± --- 2 PLACES ± 0.10 ± --- 1 PLACE ± 0.3 ± ---	mm INCH	DRAWN BY L. PULLIAM	DATE 2005/06/21	TITLE MX150 RECEPTACLE TERMINAL			
		ANGULAR ± 3°		CHECKED BY A. DHIR	DATE 2005/06/21	MOLEX INCORPORATED			
		DRAFT WHERE APPLICABLE MUST REMAIN WITHIN DIMENSIONS		APPROVED BY B. MOSER	DATE 2005/06/22	MATERIAL NO. SEE TABLE	DOCUMENT NO. SD-33012-002	SHEET NO. 5 OF 5	