



AS85049/21 Non-Environmental Strain Relief Backshells

**Glenair Connector
Designator H**

**MIL-DTL-38999
Series III & IV,
EN3645**

M85049/21 11 A 02 A

Basic Part No. _____
 Shell Size _____
 Finish _____
 Length Code (Omit for Standard) _____
 Clamp Size _____

A = Black Anodize

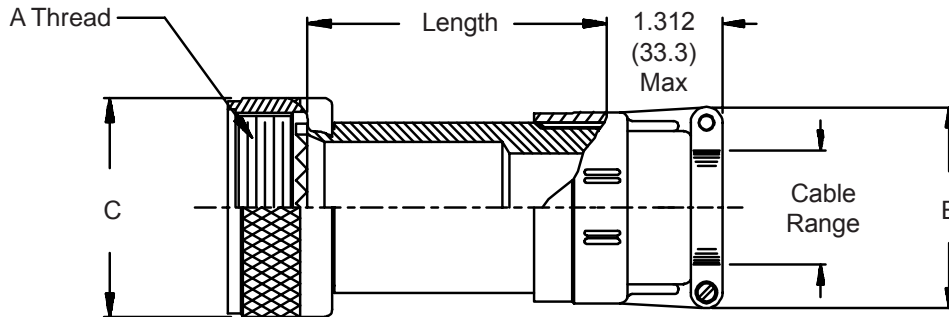


TABLE I

Shell Size	Clamp Size (Table IV)		A Thread Class 2B	C Dia Max
	Min	Max		
9	01	02	M12 X 1 - 6H	.75 (19.1)
11	01	03	M15 X 1 - 6H	.85 (21.6)
13	02	04	M18 X 1 - 6H	1.00 (25.4)
15	02	05	M22 X 1 - 6H	1.10 (27.9)
17	02	06	M25 X 1 - 6H	1.25 (31.8)
19	03	07	M28 X 1 - 6H	1.40 (35.6)
21	03	08	M31 X 1 - 6H	1.50 (38.1)
23	03	09	M34 X 1 - 6H	1.65 (41.9)
25	04	10	M37 X 1 - 6H	1.75 (44.5)

TABLE II

Clamp Size	Cable Range		E Max
	Min	Max	
01	.062 (1.6)	.125 (3.2)	.80 (20.3)
02	.125 (3.2)	.250 (6.4)	1.00 (25.4)
03	.250 (6.4)	.375 (9.5)	1.10 (27.9)
04	.312 (7.9)	.500 (12.7)	1.20 (30.5)
05	.437 (11.1)	.625 (15.9)	1.25 (31.8)
06	.562 (14.3)	.750 (19.1)	1.40 (35.6)
07	.687 (17.4)	.875 (22.2)	1.50 (38.1)
08	.812 (20.6)	1.000 (25.4)	1.65 (41.9)
09	.937 (23.8)	1.125 (28.6)	1.75 (44.5)
10	1.062 (27.0)	1.250 (31.8)	1.90 (48.3)

TABLE III

Length Code	Available Shell Sizes	Length
Std.	09 - 25	1.500 (38.1)
A	09 - 25	2.500 (63.5)
B	15 - 25	3.500 (88.9)
C	21 - 25	4.500 (114.3)

1. For complete dimensions see applicable Military Specification.
2. Metric dimensions (mm) are indicated in parentheses.
3. Cable range is defined as the accommodation range for the wire bundle or cable. Dimensions shown are not intended for inspection criteria.