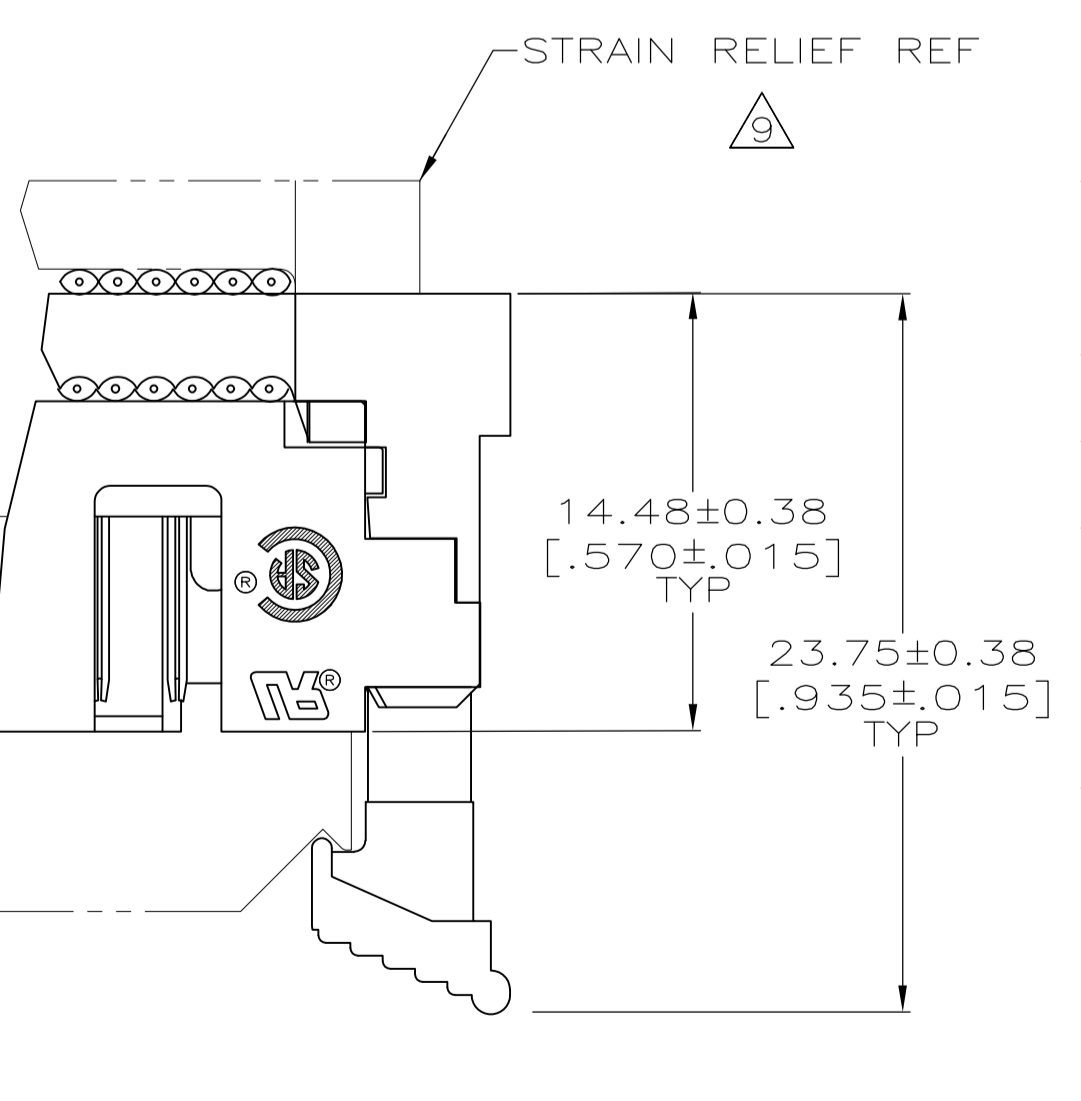
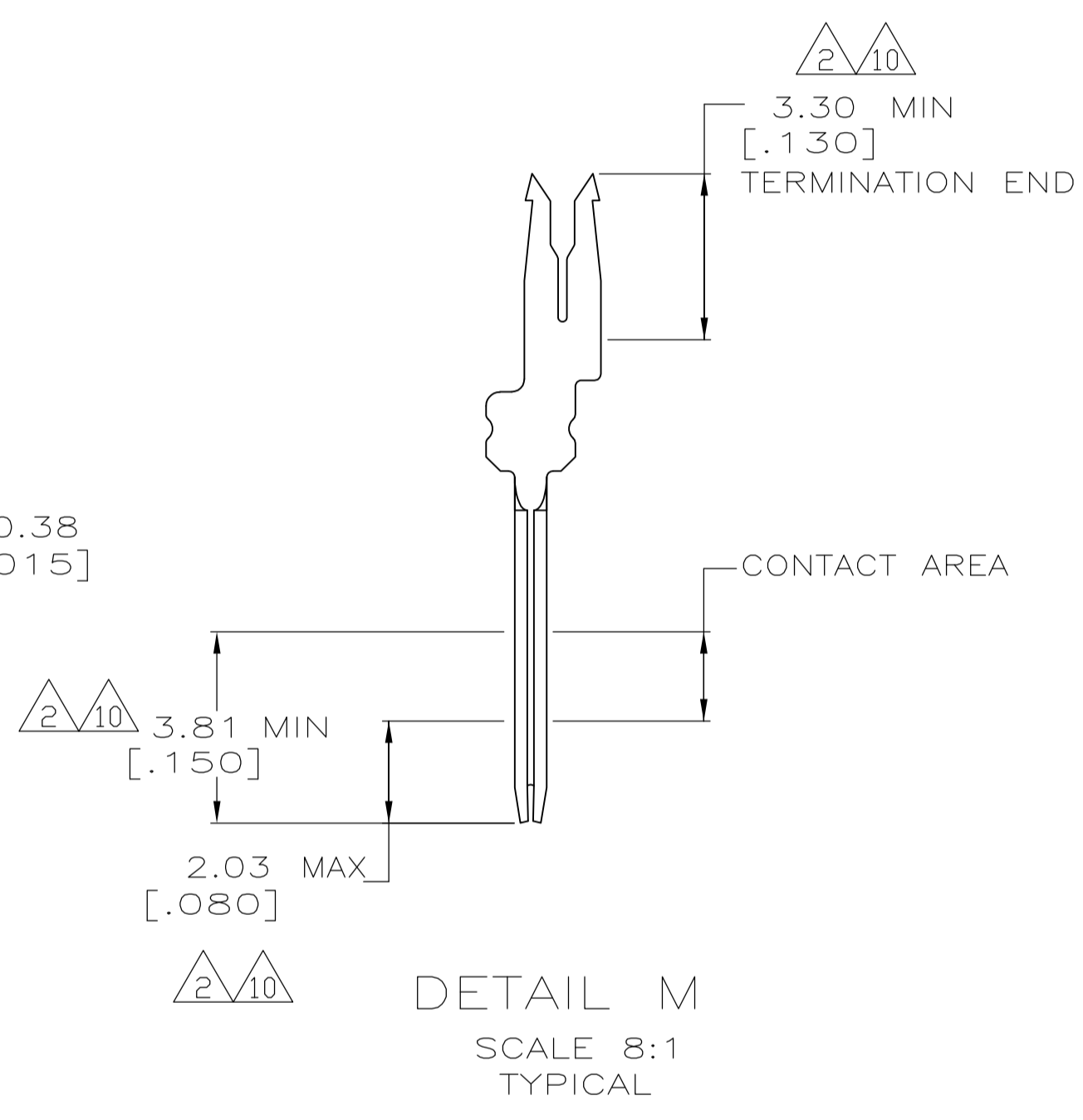
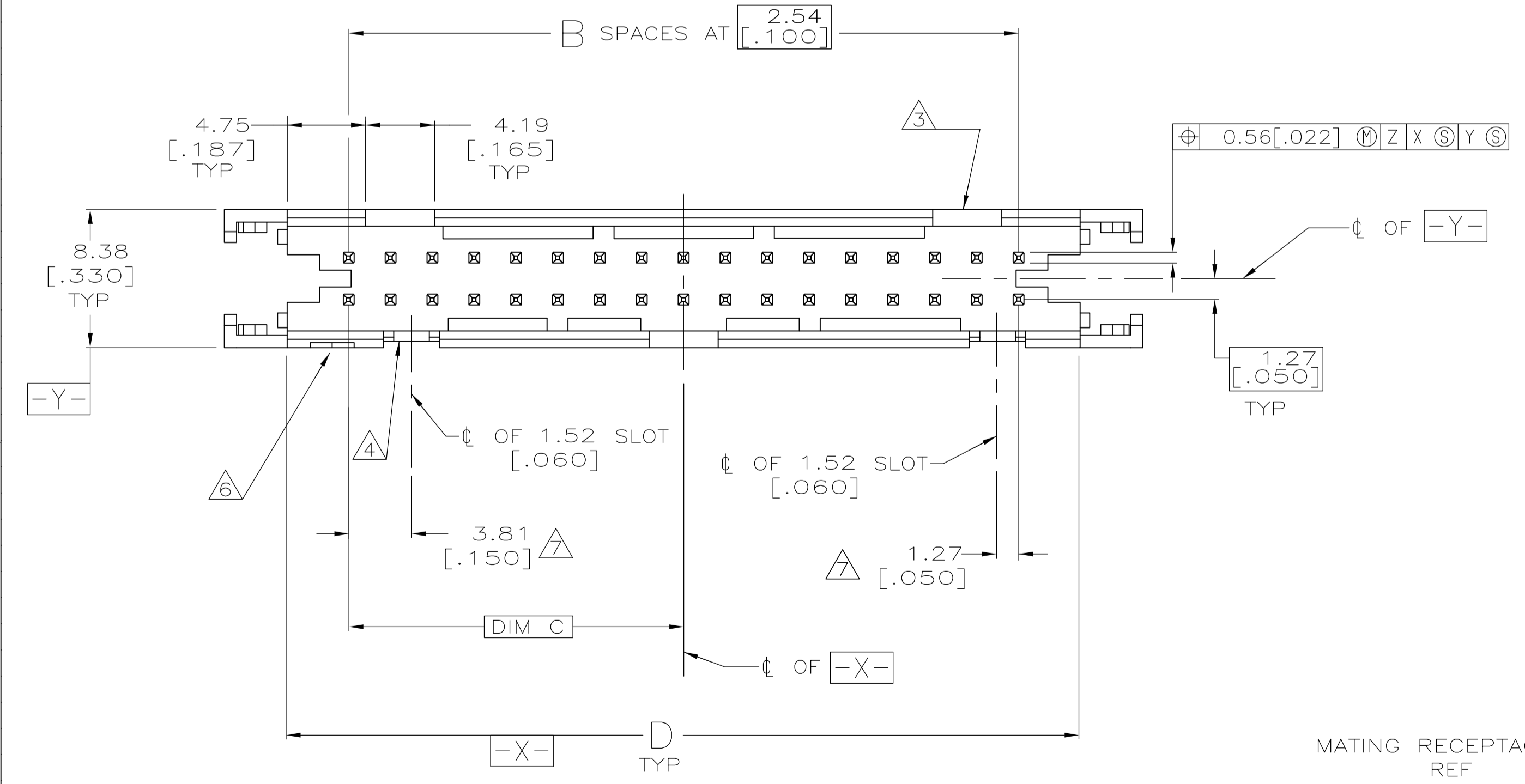
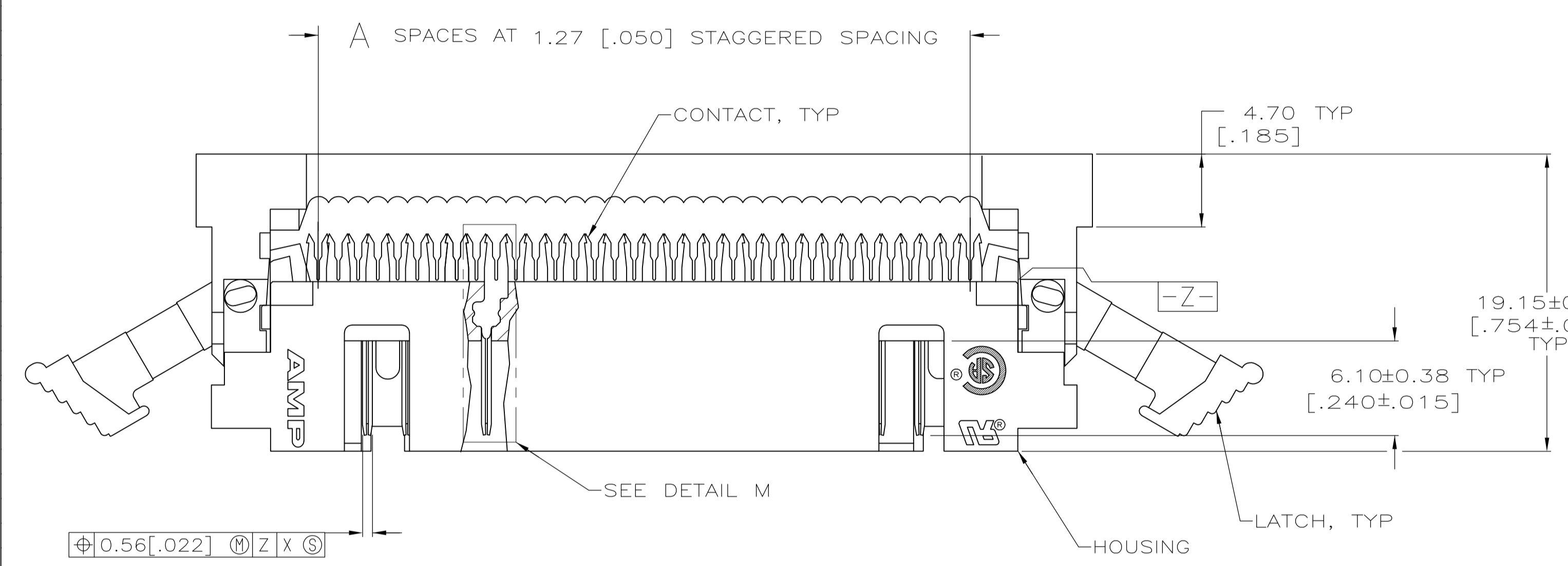
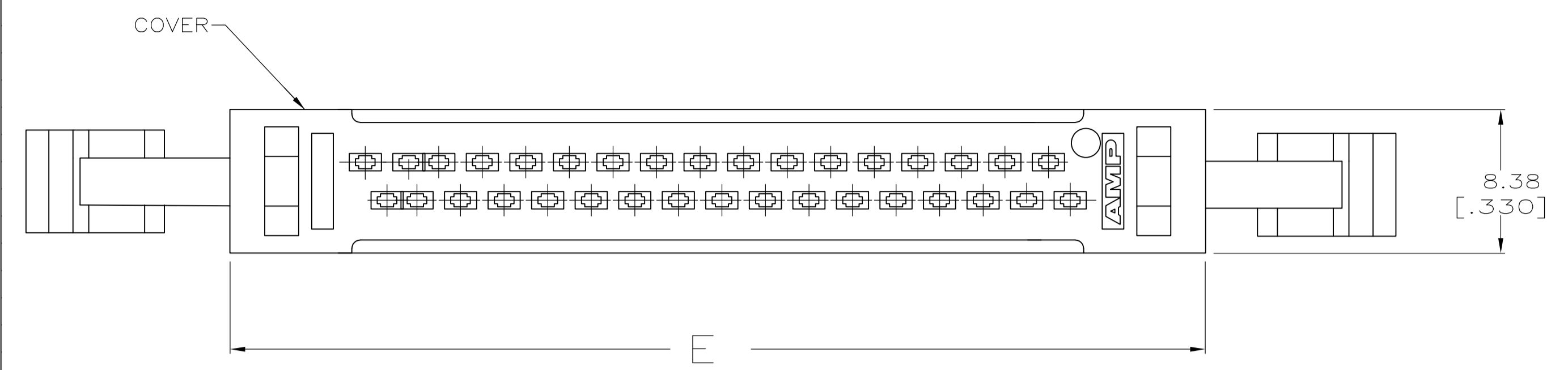


- 1 FLAME RETARDANT 94V-0 RATED THERMOPLASTIC; BLACK.
- 2 2.54µm [.000100] MIN BRIGHT TIN-LEAD ON TERMINATION END, 0.76µm [.000030] MIN GOLD ON CONTACT AREA, ALL OVER 1.27µm [.000050] MIN NICKEL.
-OR-
GOLD FLASH OVER PALLADIUM-NICKEL 0.76µm [.000030] TOTAL ON CONTACT AREA, 2.54µm [.000100] MIN BRIGHT TIN-LEAD ON TERMINATION END, ALL OVER 1.27µm [.000050] MIN NICKEL.
- 3 NO SLOT ON THIS END FOR 10 POSITION HOUSINGS.
- 4 NO SLOT FOR SNAP-IN POLARIZER ON THIS END FOR 10 AND 14 POSITION HOUSINGS.
- 5 FOR MILITARY POLARIZATION, ORDER SNAP-IN POLARIZER 499991-2 (BULK PACK OF 50).
- 6 POSITION NO 1 INDICATOR.
- 7 COORDINATE DIMENSION APPLIES FROM CENTER OF ACTUAL FEATURE.
- 8 PHOSPHOR BRONZE PER QQ-B-750.
- 9 STRAIN RELIEF 111547 MUST BE ORDERED SEPARATELY.
- 10 2.54µm [.000100] MIN MATTE TIN ON TERMINATION END, 0.76µm [.000030] MIN GOLD ON CONTACT AREA, ALL OVER 1.27µm [.000050] MIN NICKEL.
-OR-
GOLD FLASH OVER PALLADIUM-NICKEL 0.76µm [.000030] TOTAL ON CONTACT AREA, 2.54µm [.000100] MIN MATTE TIN ON TERMINATION END, ALL OVER 1.27µm [.000050] MIN NICKEL.
- 11 OBSOLETE.
- 12 OBSOLETE PARTS: OBSOLETE CIS STREAMLINING PER D.RENAUD/D.SINISI.



CONTACT FINISH	E	D	C	B	A	NO OF POSN	PART NUMBER
10	89.59 [3.527]	81.13 [3.194]	36.83 [1.450]	29	59	60	2-111492-6
10	78.03 [3.072]	68.43 [2.694]	30.48 [1.200]	24	49	50	2-111492-5
10	70.41 [2.772]	60.81 [2.394]	26.67 [1.050]	21	43	44	2-111492-4
10	65.33 [2.572]	55.73 [2.194]	24.13 [.950]	19	39	40	2-111492-3
10	57.71 [2.272]	48.11 [1.894]	20.32 [.800]	16	33	34	2-111492-2
10	52.63 [2.072]	43.03 [1.694]	17.78 [.700]	14	29	30	2-111492-1
10	47.55 [1.872]	37.95 [1.494]	15.24 [.600]	12	25	26	2-111492-0
10	45.01 [1.772]	35.41 [1.394]	13.97 [.550]	11	23	24	1-111492-9
10	39.93 [1.572]	30.33 [1.194]	11.43 [.450]	9	19	20	1-111492-8
10	34.85 [1.372]	25.25 [.994]	8.89 [.350]	7	15	16	1-111492-7
10	32.31 [1.272]	22.71 [.894]	7.62 [.300]	6	13	14	1-111492-6
10	27.23 [1.072]	17.63 [.694]	5.08 [.200]	4	9	10	1-111492-5
11	89.59 [3.772]	81.13 [3.394]	36.83 [1.550]	31	63	64	1-111492-4
11	78.03 [3.772]	68.43 [3.394]	30.48 [1.550]	31	63	64	1-111492-3
11	70.41 [3.527]	60.81 [3.194]	26.67 [1.450]	29	59	60	1-111492-2
11	65.33 [3.072]	55.73 [2.694]	24.13 [1.200]	24	49	50	1-111492-1
11	57.71 [2.772]	48.11 [2.394]	20.32 [1.050]	21	43	44	1-111492-0
12 SUPERCEDED	65.33 [2.572]	55.73 [2.194]	24.13 [.950]	19	39	40	-111492-9
11	57.71 [2.272]	48.11 [1.894]	20.32 [.800]	16	33	34	111492-8
12 SUPERCEDED	52.63 [2.072]	43.03 [1.694]	17.78 [.700]	14	29	30	-111492-7
12 SUPERCEDED	47.55 [1.872]	37.95 [1.494]	15.24 [.600]	12	25	26	-111492-6
12 SUPERCEDED	45.01 [1.772]	35.41 [1.394]	13.97 [.550]	11	23	24	-111492-5
11	39.93 [1.572]	30.33 [1.194]	11.43 [.450]	9	19	20	111492-4
11	34.85 [1.372]	25.25 [.994]	8.89 [.350]	7	15	16	111492-3
12 SUPERCEDED	32.31 [1.272]	22.71 [.894]	7.62 [.300]	6	13	14	-111492-2
11	27.23 [1.072]	17.63 [.694]	5.08 [.200]	4	9	10	111492-1

COVER AND LATCH NOT SHOWN IN THIS VIEW FOR CLARITY

TERMINATED ASSEMBLY (ASSEMBLED BY CUSTOMER)

THIS DRAWING IS A CONTROLLED DOCUMENT. DIN C. OBERMAN 8-9-90. CHK: F. M. HEINRY 11-28-90. NAME: UNIVERSAL I/O PIN CONNECTOR, WITHOUT MOUNTING EARS, WITH STD COVER LATCHES, AMP-LATCH. PRODUCT SPEC: 108-1336. APPLICATION SPEC: 114-7011. SIZE: A1. WEIGHT: -. CUSTOMER DRAWING. SCALE: 4:1. SHEET: 1 OF 1. REV: J.