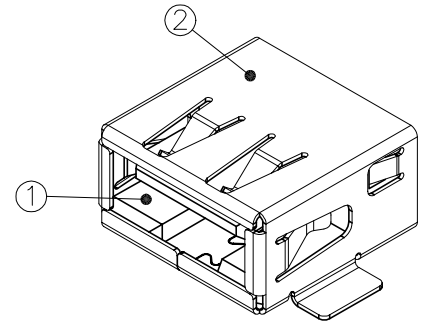
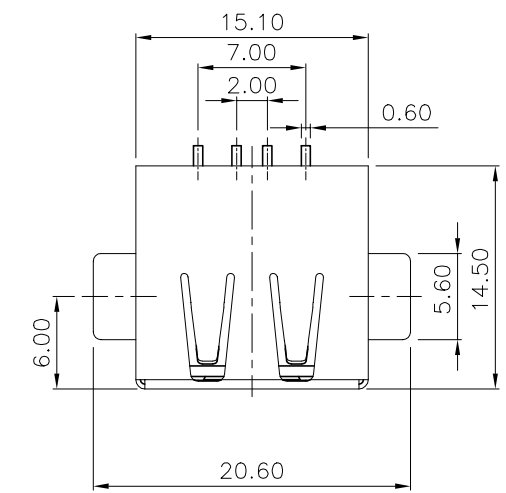
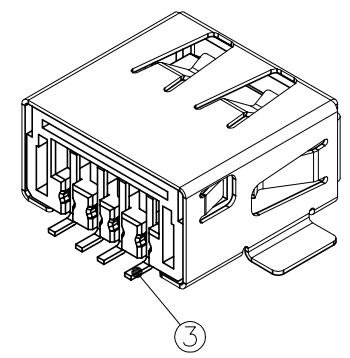
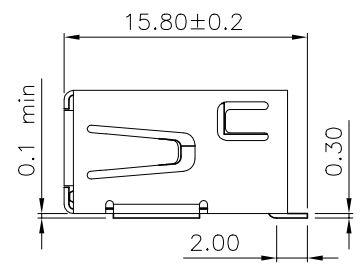
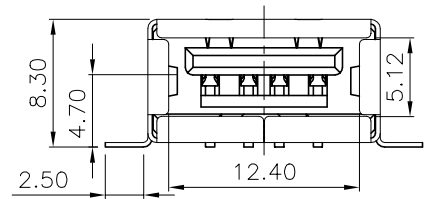
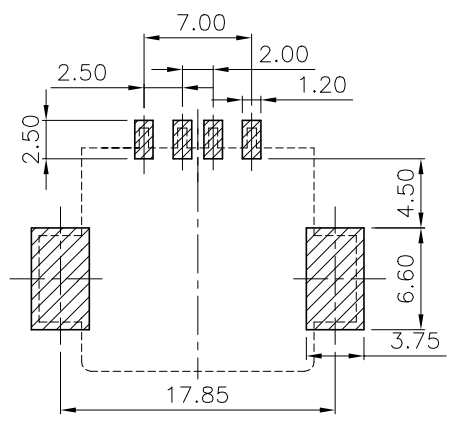


A  
B  
C  
D  
E  
F  
G  
H  
I  
J  
K  
L  
M  
N



Recommended P.C.B Layout (Component Side)



- 1 (1) suction-area for SMT-pipet plane and smooth.
- (2) SMT-soldering-pads (USB-connector) surface min. 2um tin over 1.25um nickel.
- (3) SMT-soldering-pads (USB-connector) surface min. 2um tin over 1.25um nickel.
- (4) all soldering-area coplanar in one plane tolerance: max 0.1MM.

3	TERMINAL	Pho.Bronze	—	Gold/Tin plated
2	SHELL	Copper	—	Nickel plated
1	BODY	L.C.P.	BLACK	UL 94V-0
NO.	DESCRIPTION	MATERIAL	COLOR	REMARK

**SUYIN**  
CONNECTOR

CUSTOMER COPY TITLE: USB CONNECTOR R/A SMD TYPE, Series A.

PART NO.			
PART NO. (OLD)	2577A-04G5T		
DRAWING NO.	D	2577A-04G5T	
SCALE	2:1	UNIT	mm
		A4	

ECN (DCN) NO.	0	DATE		CHANGE	APPRO.	GENERAL TOLERANCE UNLESS OTHERWISE NOTED	APPRO.
			NEW			Angle ±2°	DRAW
						30 ~ ±0.50	DESIGN
						10 ~ 30 ±0.30	CHECK
						~ 10 ±0.15	APPRO.