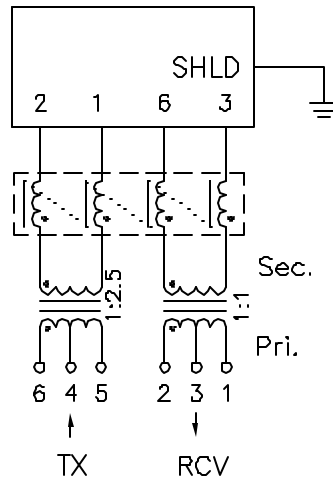


2. Schematic:



3. Electrical Specification: @25°

Isolation: 1500 Vrms 0.5mA 2Sec (Pri to Sec)

Isolation: 500 Vrms 0.5mA 2sec (TX to RCV)

Turns Ratio: 1CT:2.5 ±2% (TX) 1CT:1 ±2% (RCV) (Pri : Sec)

PRI OCL: 140uH Min @100KHz 50mV (TX&RCV)

Cw/w: 15pF Maximum @100KHz 50mV

PRI LL: 0.30uH Maximum @100KHz 50mV (SEC Shorted)

PRI DCR: 0.350 Ohms Maximum

CMR CHOKE OCL: 18uH Typical @100KHz 50mV

Notes:

1. Solderability: Leads shall meet MIL-STD-202G, Method 208H for solderability.
2. Flammability: UL94V-0
3. ASTM oxygen index: > 28%
4. Insulation System: Class F 155°C, UL file E151556
5. Operating Temperature Range: All listed parameters are to be within tolerance from -40°C to +85°C
6. Storage Temperature Range: -55°C to +125°C
7. Aqueous wash compatible
8. Electrical and mechanical specifications 100% tested
9. RoHS Compliant Component

DOC REV: A/1

XFMRs Inc
www.XFMRS.com

Title: SINGLE PORT COMBO w LEDs

UNLESS OTHERWISE SPECIFIED
TOLERANCES:
.xxx ±0.010
Dimensions in Inch

P/N: XF10B11B-COMBO2-4MS REV. A

DWN. 廖玉坤 Apr-12-06

CHK. 李清儿 Apr-12-06

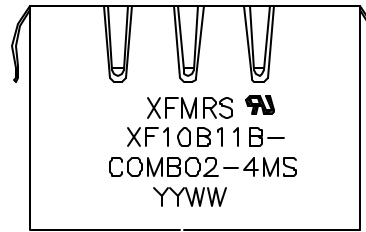
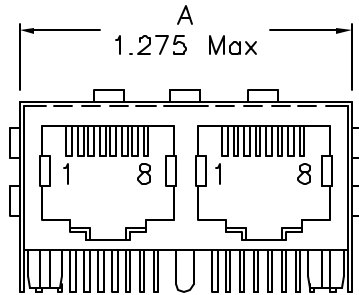
SCALE 1.5:1 SHT 1 OF 1

APP. MS Apr-12-06

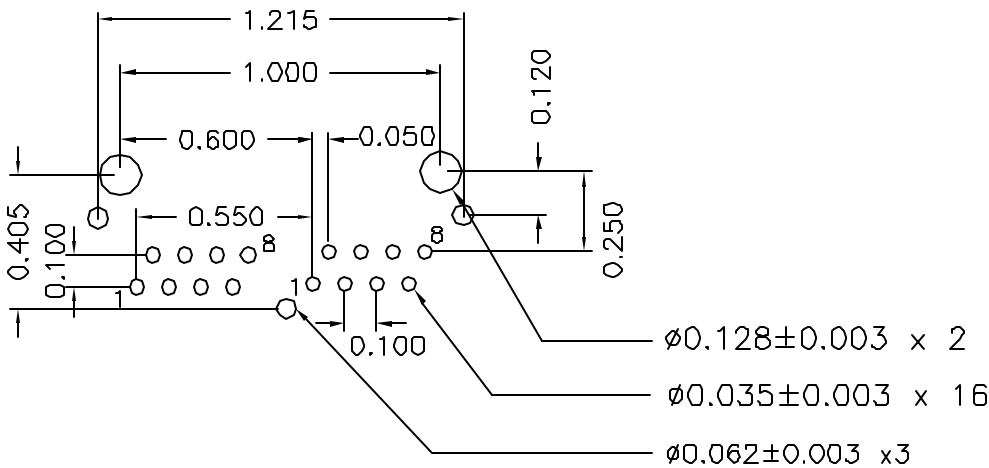
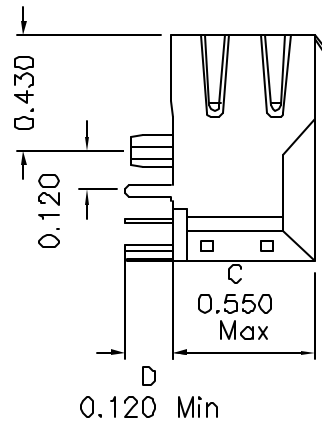
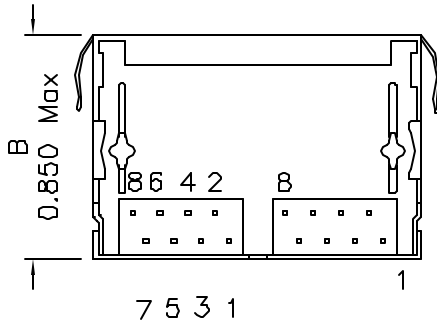
PROPRIETARY:

Document is the property of XFMRs Group & is not allowed to be duplicated without authorization.

Mechanical Dimensions:



TOP VIEW



SUGGESTED MOUNTING PATTERN

DOC REV: A/1

XFMRS Inc. www.XFMRS.com	Title: Mechanical Dimensions For COMBO2-4MS Series		
	UNLESS OTHERWISE SPECIFIED TOLERANCES:		P/N:XF10B11B-COMBO2-4MS
	.xxx ±0.010		REV. A
	Dimensions in Inch		DWN. 罗振江 Apr-12-06
	SHEET 2 OF 2		CHK. 廖玉坤 Apr-12-06
		APP. MS	Apr-12-06

PROPRIETARY:

Document is the property of XFMRS Group & is not allowed to be duplicated without authorization.