

FC SERIES PULSE INTEGRATOR

DATA SHEET

PKG

This is a pulse integrator which integrates 1 count per pulse while operating an electromagnetic counter with pulse input.

FEATURES

1. The pulse integrator assures a response fast enough to counter pulses at high frequency.
2. A click-touch type resetter is provided to facilitate resetting at zero.

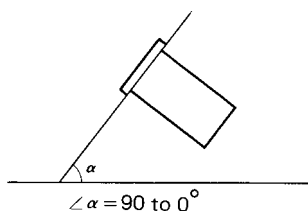
SPECIFICATIONS

- Input signal:** ON-OFF no-voltage contact (1a)
Integration rate: 1 count/pulse
Display mode: Decimal 6-digit electromagnetic counter (with click-touch type reset push-button)
Integrating speed:
 450 counts/min
ON-OFF time: 66.7 msec or longer (for both T_{ON} and T_{OFF})
Power supply: DC 24V (20~30V) or AC 100V 10%, 50/60Hz
Power indicator lamp: Rectangular green LED
Power consumption: Approx. 5W (DC 24V) / Approx. 6VA (AC 100V)
Ambient temperature: 0 to 45°C
Ambient humidity: 90% RH (MAX)
Enclosure: Steel case
External dimensions (HxWxD): 144 x 72 x 400 mm (casing) + terminal board
Mass (weight): Approx. 4.2kg
Finish color: Munsell 7Y 7.3/1.4
Mounting: Panel flush mounting



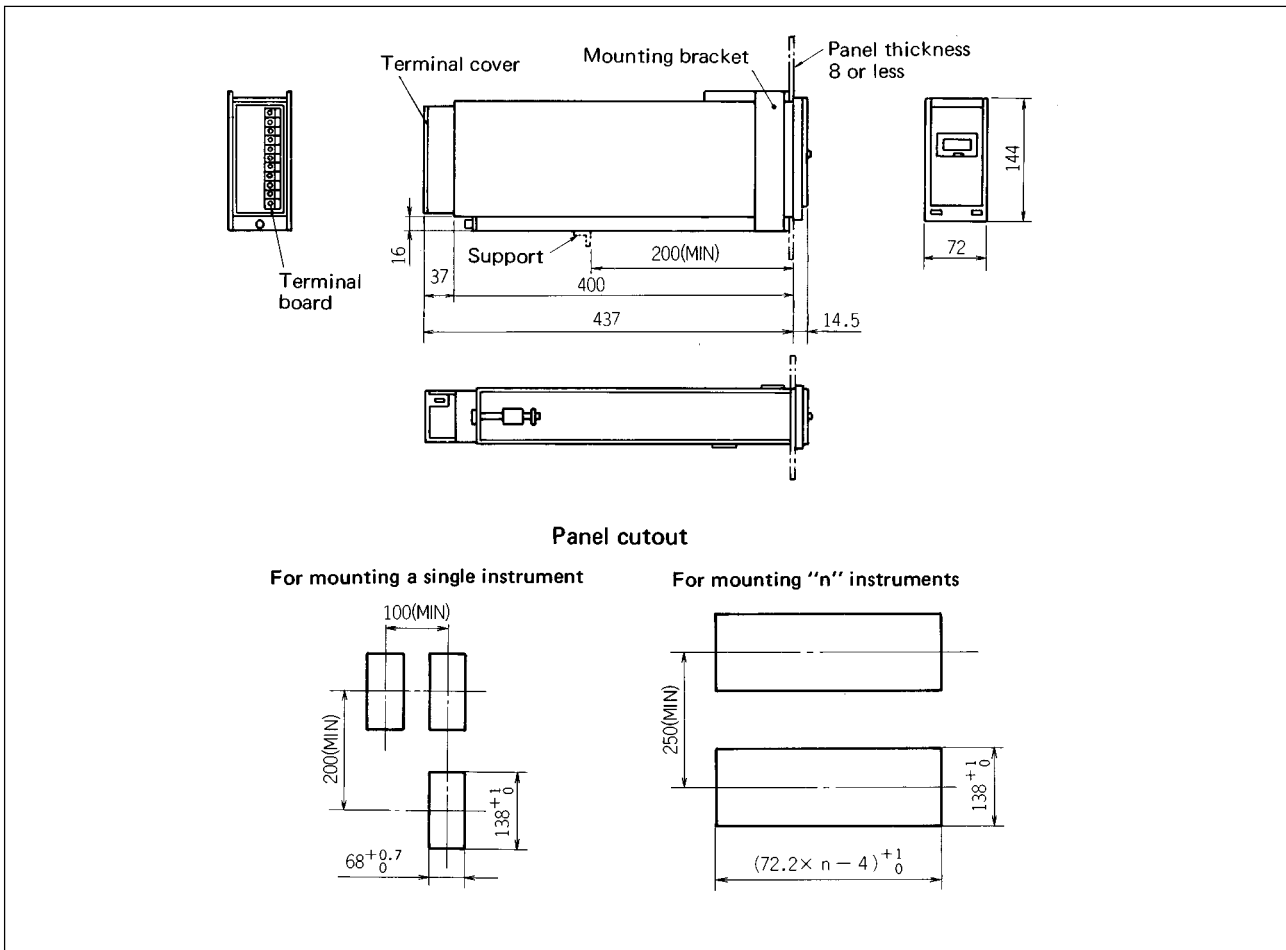
CODE SYMBOLS

1	2	3	4	5	6	7	8	Description
P	K	G	1	0	0	2	Power supply	
								1.....DC 24V
								3.....AC 100V, 50/60Hz

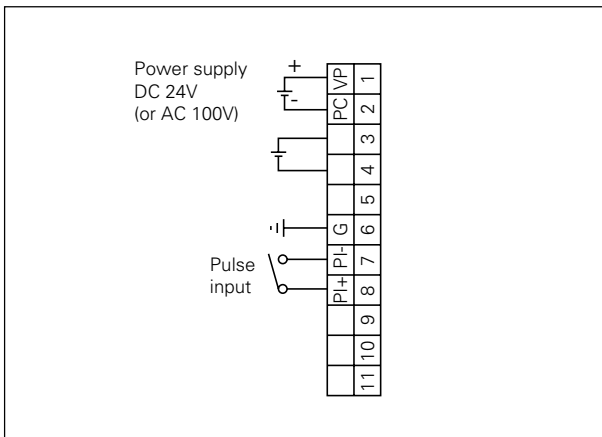


Scope of delivery:
 Integrator and mounting bracket

OUTLINE DIAGRAM (Unit : mm)



CONNECTION DIAGRAM



⚠ Caution on Safety

*Before using this product, be sure to read its instruction manual in advance.

Fuji Electric Systems Co., Ltd.

Head Office

Gate City Ohsaki, East Tower, 11-2, Osaki 1-chome,
Shinagawa-ku, Tokyo 141-0032, Japan

<http://www.fesys.co.jp/eng>

Instrumentation Div.

International Sales Dept.

No.1, Fuji-machi, Hino-city, Tokyo, 191-8502 Japan

Phone: 81-42-585-6201, 6202 Fax: 81-42-585-6187

<http://www.fic-net.jp/eng>

Information in this catalog is subject to change without notice.

Printed in Japan