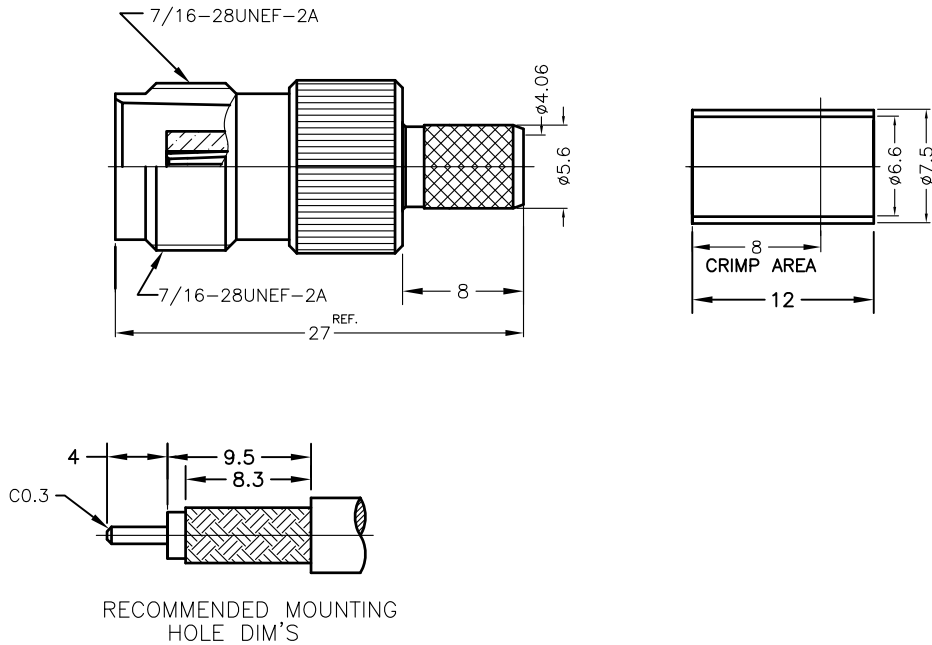


**NOTICE OF PROPRIETARY RIGHTS** THIS DOCUMENT CONTAINS CONFIDENTIAL TECHNICAL DATA, INCLUDING TRADE SECRETS, PROPRIETARY TO TIMES MICROWAVE SYSTEMS. DISCLOSURE OF THIS DATA IS EXPRESSLY CONDITIONED UPON YOUR ASSENT THAT ITS USE IS LIMITED TO USE WITHIN YOUR COMPANY ONLY. ANY OTHER USE IS STRICTLY PROHIBITED WITHOUT THE PRIOR WRITTEN CONSENT OF TIMES MICROWAVE SYSTEMS.

SYM	REVISION DESCRIPTION	DFTM	DATE	APPD	DATE
A	RELEASED FOR PRODUCTION	K.A.M.	4/7/10	J.D.B.	5/6/10

REMARKS:  
1. CRIMPED FERRULE HEX. CRIMP SIZE .256"



MATERIALS AND PLATING		UNIT: MICRO-INCHES
BODY	BRASS C3604 BRASS C3604	NICKEL 200 u"/COPPER
CONTACT PIN	C54400 PHOPSHOR BRONZE	GOLD 30 μ " / NICKEL
INSULATOR	TEFLON MIL-P-19468	N/A
FERRULE	COPPER	NICKEL 200 u"/COPPER
OTHER	BRASS C3604) BRASS C3604	NICKEL 200 u"/COPPER

(MECHANICAL CHARACTERISTICS)	
Cable Tension	60 lbs MIN.
Center contact retention force (Coupling torque)	6 lbs MIN. 20 lbf-in
Coupling nut retention force	100 lbs
Durability	≥ 500 cycles

ELECTRICAL CHARACTERISTICS)	
Impedance	50 Ω
Voltage rating	500V(rms)
Frequency range	0~6GHz
Dielectric withstanding voltage)	1000V
(Contact resistance)	Center contact): ≤1.5mΩ Outer contact) ≤1m Ω
(Insulation resistance)	≥5000MΩ
Insertion loss	(According as the cable)
VSWR	≤1.25@0-6GHz
(3rd Intermodulation)	N/A

ENVIRONMENTAL CHARACTERISTICS	
Temperature range	-55°C- +155°C
Thermal shock	US MIL- STD 202, Meth. 107, Cond. B
Vibration	US MIL- STD 202, Meth. 204, Cond. B
Shock	US MIL- STD 202, Meth. 213, Cond. I
Climatic class	IEC 60068 65/165/21

MATL:	UNLESS OTHERWISE SPECIFIED		DFTM. K. A. M.	TIMES MICROWAVE SYSTEMS
	ALL DIMENSIONS ARE IN mm		DATE 4/7/10	
USED ON:	TOLERANCES ON DECIMALS		CHKD. J. D. B.	JACK, TNC TYPE "ST" 50 Ohm FOR LMR-240 CABLE
	.X ± 0.2      .XX ± 0.1		DATE 5/6/10	
SCALE: ~	ANGLES ± 3		APPD. J. D. B.	1 of 1   SD3190-2552   A
	SURFACE FINISH: 1.6μ		DATE 5/6/10	
DWG. SIZE A	DO NOT SCALE DRAWING	CODE IDENT 68999	DATE 5/6/10	REV. A