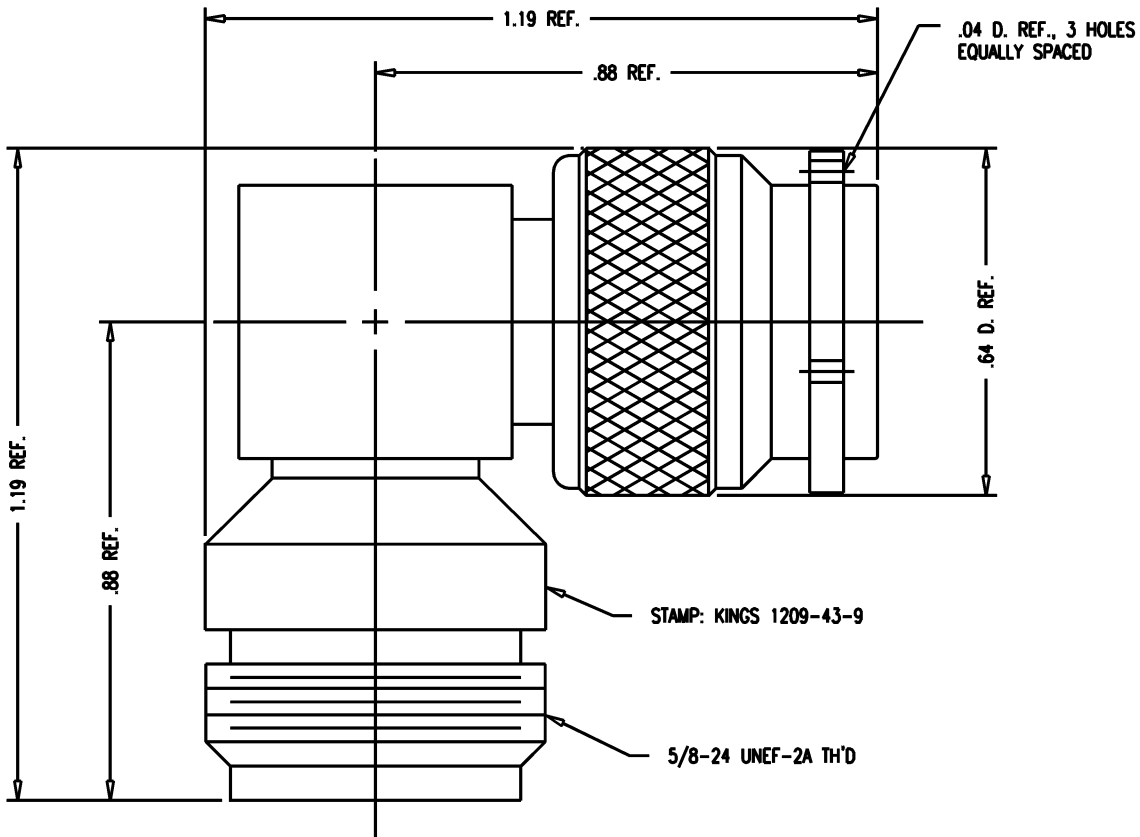


DASH NO.	M CODE	MADE FROM
----------	--------	-----------

GSD

1209-43-9



REVISIONS	
ISSUE	CHANGES
0	ER 31145 KH 09/19/89
1	CN 38226 C BDH 02/26/01

KAM3653

SCALE 4:1

APPROX SURFACE AREA

USED ON

REF: BOEING

ADAPTER, F-M, ANGLE, N-TNC

DRAWN KH DATE 04/13/94

DESIGN MJB DATE 04/14/94

APPR. DATE

KINGS
ELECTRONICS CO., INC.
ROCK HILL, SOUTH CAROLINA 29730

1209-43-9

- NOTES:
- INTERFACE PER MIL-STD-348, FIG. 304-2 AND FIG. 313.1.
 - MATERIALS:
 - INSULATORS: TEFLON, ASTM-D-4894
 - C-RINGS: PHOSPHOR BRONZE, QQ-B-750
 - GASKET: SILICONE RUBBER, ZZ-R-765
 - ANG. CONTACT (F) } BER. COPPER, ASTM-B-196
 - OUTER CONTACT }
 - ALL OTHER METAL PARTS: BRASS, QQ-B-626

- FINISHES:
 - CENTER CONTACTS: HARD GOLD PLATE, PER MIL-G-45204
 - ALL OTHER METAL PARTS: KINGS TARNISH RESISTANT FINISH (TR-5)
- ELECTRICAL CHARACTERISTICS:
 - NOMINAL IMPEDANCE: 50 OHMS
 - WORKING VOLTAGE: 500 VRMS
 - FREQUENCY RANGE: DC TO 11 GHz.

GSD