

EFC4612R-S

Power MOSFET for 1-2 Cells Lithium-ion Battery Protection 24 V, 45 mΩ, 6 A, Dual N-Channel



ON Semiconductor®

www.onsemi.com

This Power MOSFET features a low on-state resistance. This device is suitable for applications such as power switches of portable machines. Best suited for 1-2 cells lithium-ion battery applications.

Features

- 2.5 V drive
- Common-Drain type
- ESD Diode-Protected Gate
- Pb-Free, Halogen Free and RoHS compliance

Applications

- 1-2 Cells Lithium-ion Battery Charging and Discharging Switch

SPECIFICATIONS

ABSOLUTE MAXIMUM RATINGS at Ta = 25°C (Note 1)

Parameter	Symbol	Value	Unit
Source to Source Voltage	V _{SS}	24	V
Gate to Source Voltage	V _{GSS}	±12	V
Source Current (DC)	I _S	6	A
Source Current (Pulse) PW ≤ 10 μs, duty cycle ≤ 1%	I _{SP}	60	A
Total Dissipation (Note 2)	P _T	1.6	W
Junction Temperature	T _J	150	°C
Storage Temperature	T _{stg}	-55 to +150	°C

Note 1 : Stresses exceeding those listed in the Maximum Ratings table may damage the device. If any of these limits are exceeded, device functionality should not be assumed, damage may occur and reliability may be affected.

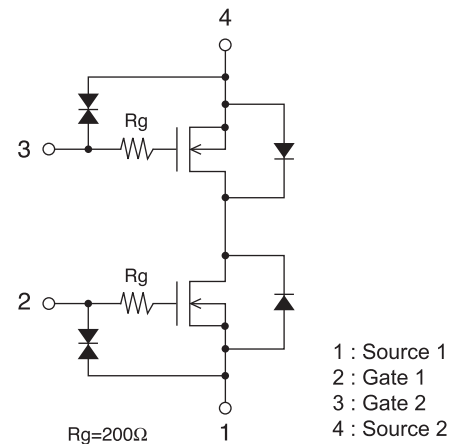
THERMAL RESISTANCE RATINGS

Parameter	Symbol	Value	Unit
Junction to Ambient (Note 2)	R _{θJA}	78.1	°C/W

Note 2 : Surface mounted on ceramic substrate(5000 mm² × 0.8 mm).

V _{SS}	R _{SS(on)} Max	I _S Max
24 V	45 mΩ @ 4.5 V	6 A
	48 mΩ @ 4.0 V	
	50 mΩ @ 3.7 V	
	57 mΩ @ 3.1 V	
	72 mΩ @ 2.5 V	

ELECTRICAL CONNECTION N-Channel



WLCSP4, 1.3x1.3 / EFCP1313-4CC-037

MARKING



ORDERING INFORMATION

See detailed ordering and shipping information on page 7 of this data sheet.

EFC4612R-S

ELECTRICAL CHARACTERISTICS at Ta = 25°C (Note 3)

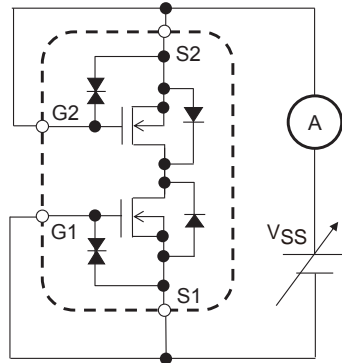
Parameter	Symbol	Conditions	Value			Unit
			min	typ	max	
Source to Source Breakdown Voltage	V(BR)SSS	IS = 1 mA, VGS = 0 V Test Circuit 1	24			V
Zero-Gate Voltage Source Current	ISSS	VSS = 20 V, VGS = 0 V Test Circuit 1			1	μA
Gate to Source Leakage Current	IGSS	VGS = ±8 V, VSS = 0 V Test Circuit 2			±10	μA
Gate Threshold Voltage	VGS(th)	VSS = 10 V, IS = 1 mA Test Circuit 3	0.5		1.3	V
Forward Transconductance	gFS	VSS = 10 V, IS = 3 A Test Circuit 4		3.1		S
Static Source to Source On-State Resistance	RSS(on)1	IS = 3 A, VGS = 4.5 V Test Circuit 5	24	39	45	mΩ
	RSS(on)2	IS = 3 A, VGS = 4.0 V Test Circuit 5	25	41	48	mΩ
	RSS(on)3	IS = 3 A, VGS = 3.7 V Test Circuit 5	27.5	43	50	mΩ
	RSS(on)4	IS = 3 A, VGS = 3.1 V Test Circuit 5	31.5	48	57	mΩ
	RSS(on)5	IS = 3 A, VGS = 2.5 V Test Circuit 5	33.5	58	72	mΩ
Turn-ON Delay Time	t _{d(on)}	VSS = 10 V, VGS = 4.5 V IS = 3 A Test Circuit 6		20		ns
Rise Time	t _r			230		ns
Turn-OFF Delay Time	t _{d(off)}			130		ns
Fall Time	t _f			210		ns
Total Gate Charge	Qg	VSS = 10 V, VGS = 4.5 V IS = 6 A Test Circuit 7		7		nC
Forward Source to Source Voltage	VF(S-S)	IS = 3 A, VGS = 0 V Test Circuit 8		0.8	1.2	V

Note 3 : Product parametric performance is indicated in the Electrical Characteristics for the listed test conditions, unless otherwise noted. Product performance may not be indicated by the Electrical Characteristics if operated under different conditions.

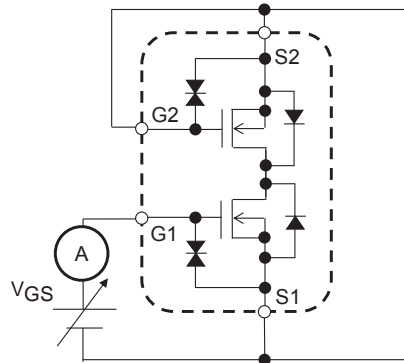
EFC4612R-S

Test circuits are example of measuring FET1 side

Test Circuit 1
V_{SSS} / I_{SSS}

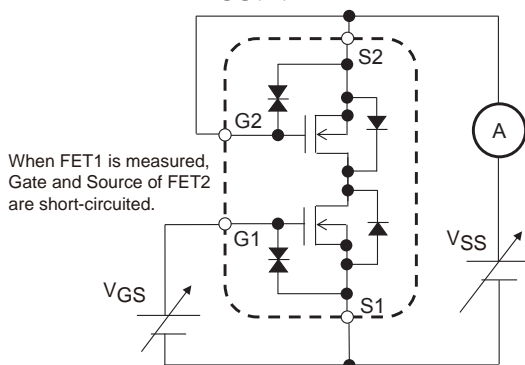


Test Circuit 2
I_{GSS}



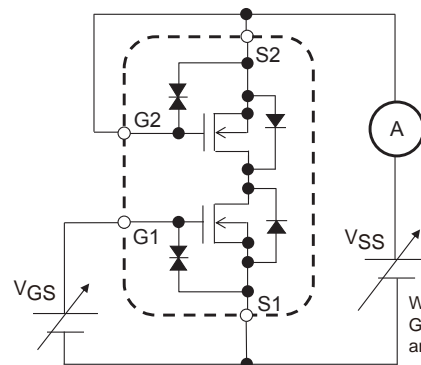
When FET1 is measured, Gate and Source of FET2 are short-circuited.

Test Circuit 3
V_{GS(th)}



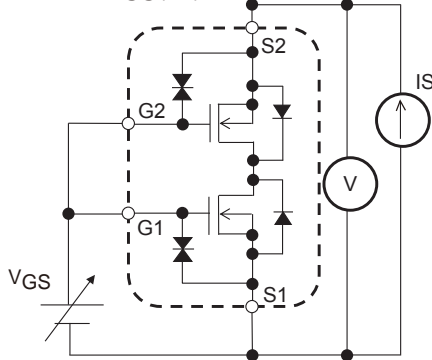
When FET1 is measured, Gate and Source of FET2 are short-circuited.

Test Circuit 4
g_{FS}

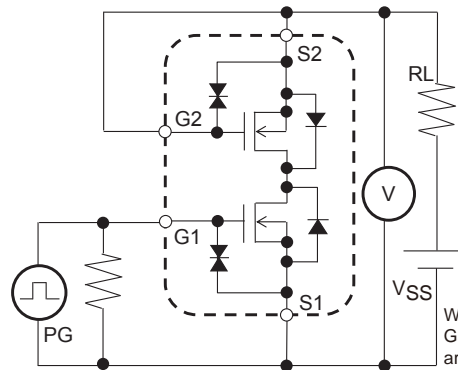


When FET1 is measured, Gate and Source of FET2 are short-circuited.

Test Circuit 5
R_{SS(on)}

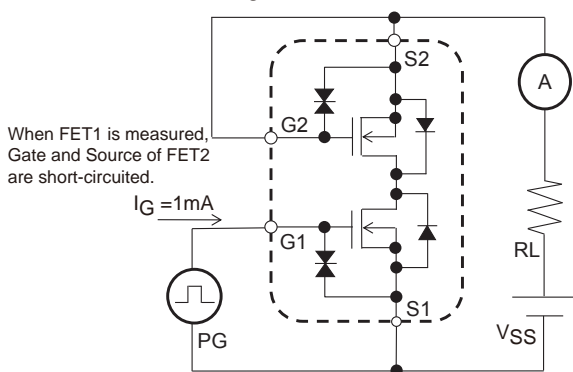


Test Circuit 6
t_{d(on)}, t_r, t_{d(off)}, t_f



When FET1 is measured, Gate and Source of FET2 are short-circuited.

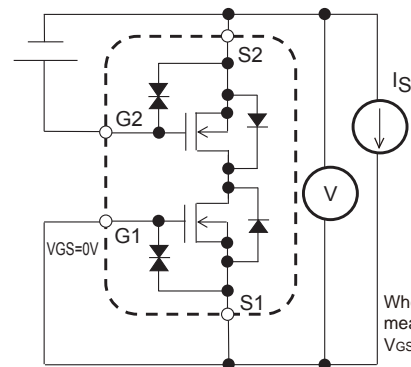
Test Circuit 7
Q_g



When FET1 is measured, Gate and Source of FET2 are short-circuited.

I_G = 1mA

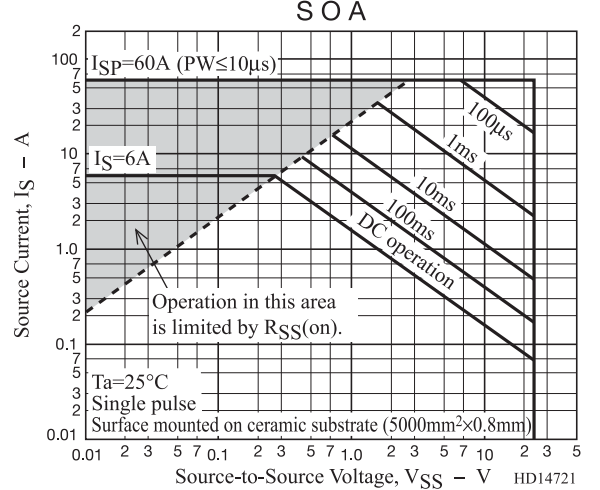
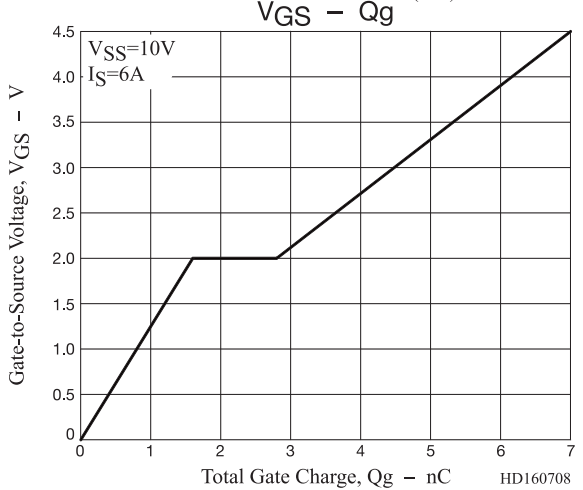
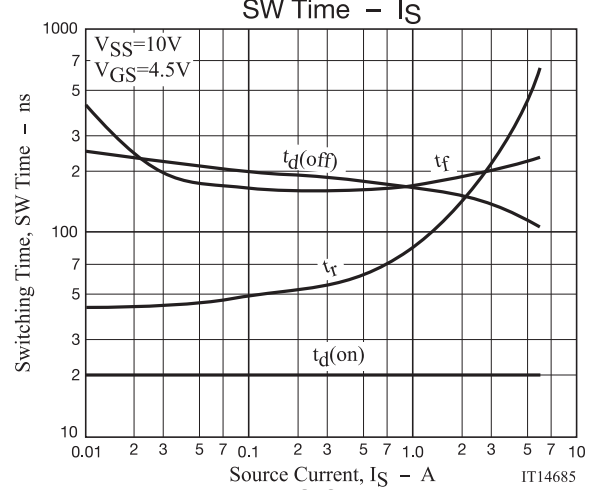
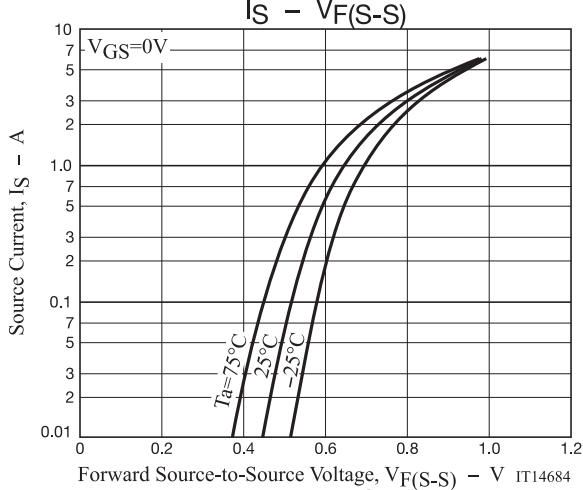
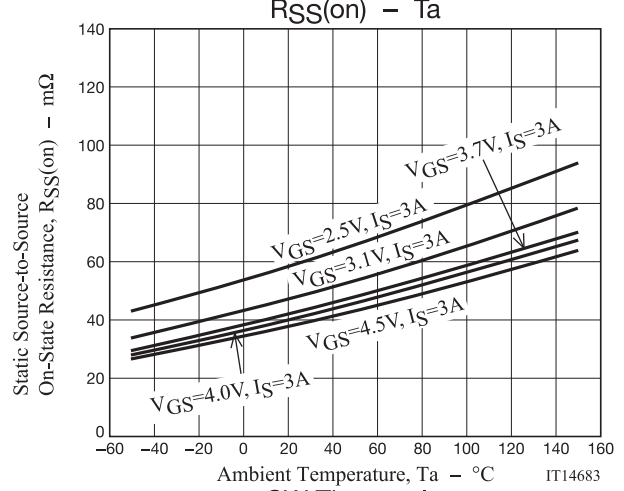
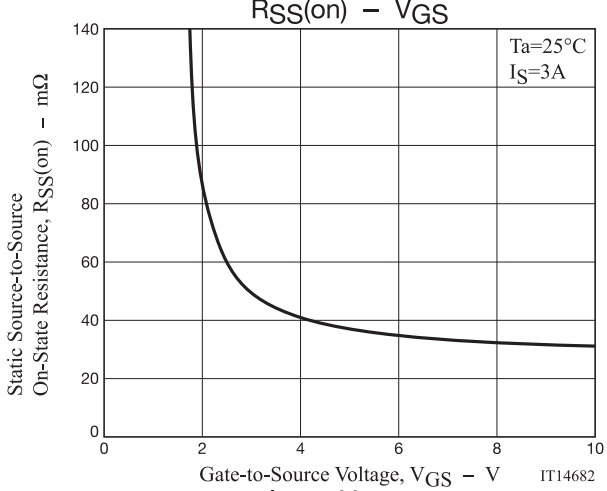
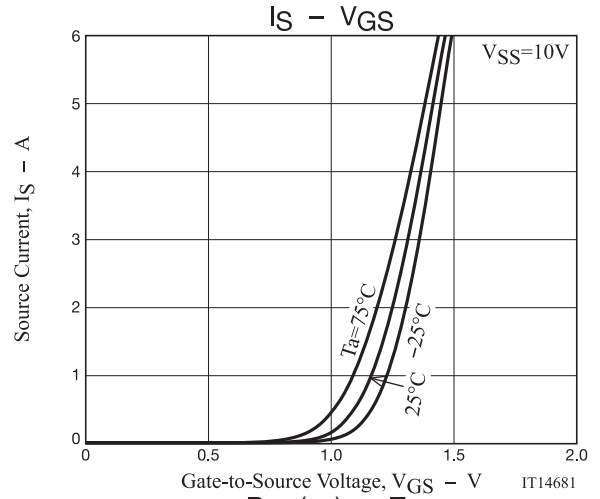
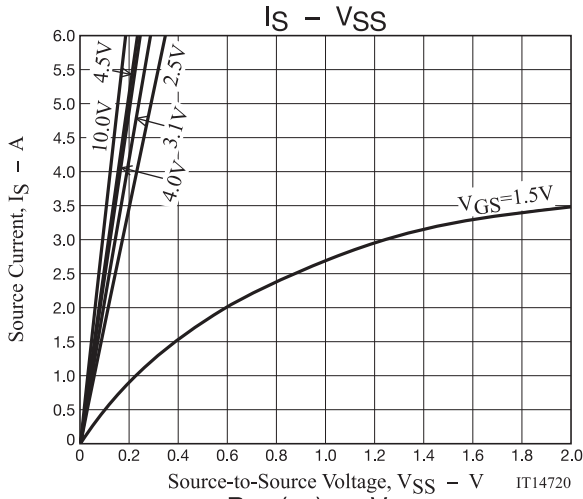
Test Circuit 8
V_{F(S-S)}



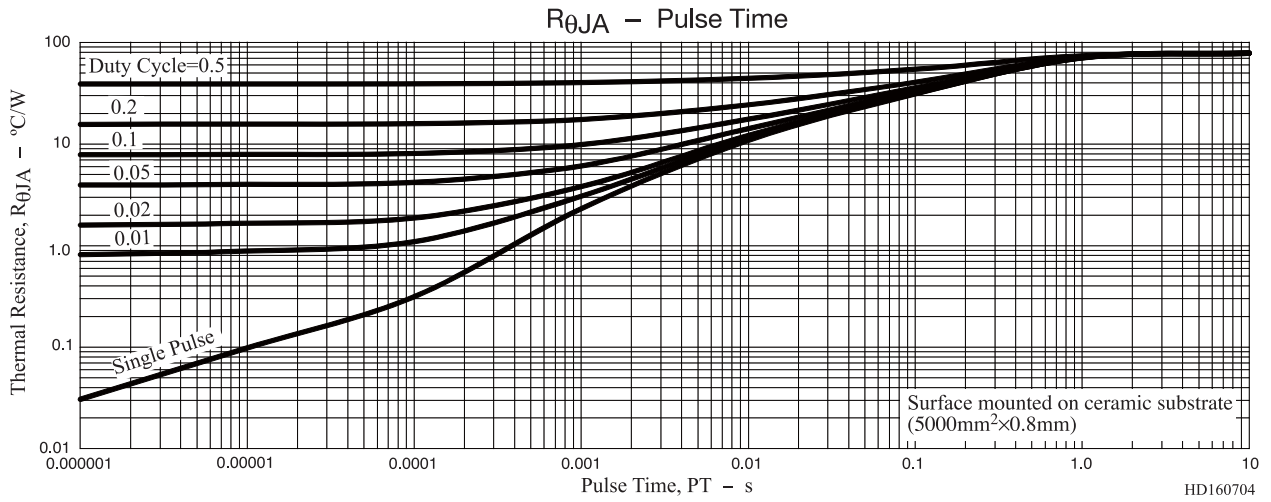
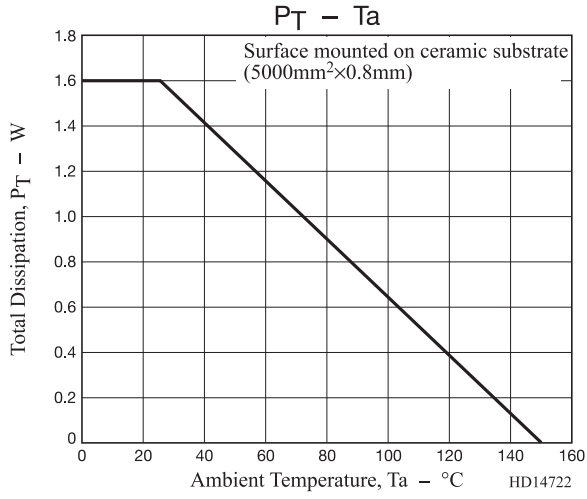
When FET1 is measured, +4.5V is added to V_{GS} of FET2.

When FET2 is measured, the position of FET1 and FET2 is switched.

EFC4612R-S



EFC4612R-S



EFC4612R-S

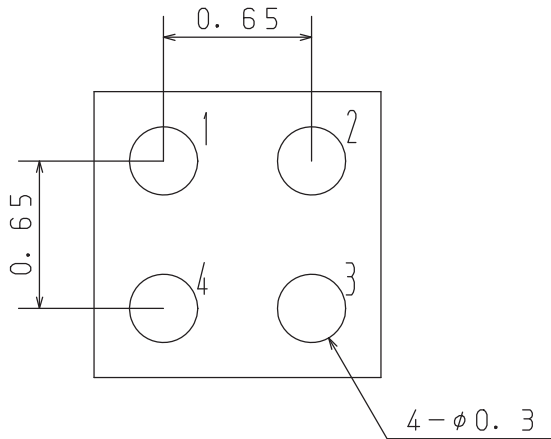
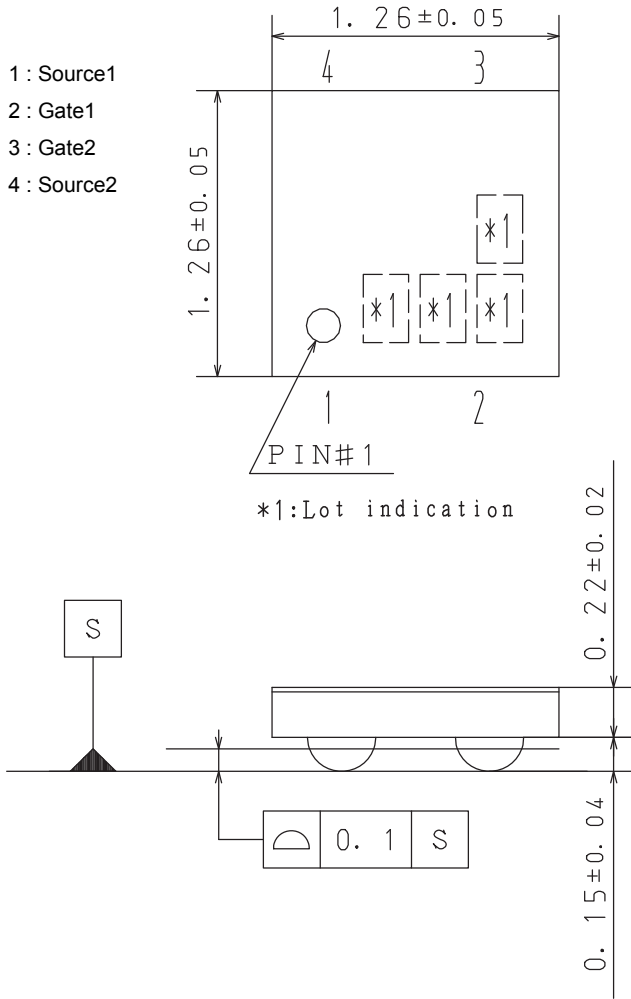
PACKAGE DIMENSIONS

unit : mm

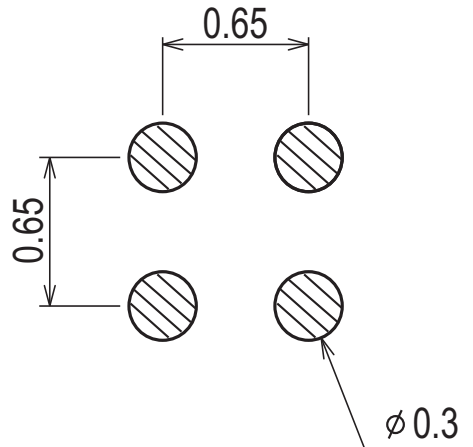
WLCSP4, 1.3x1.3 / EFCP1313-4CC-037

CASE 567DP

ISSUE 0



RECOMMENDED SOLDERING FOOTPRINT



EFC4612R-S

ORDERING INFORMATION

Device	Marking	Package	Shipping (Qty / Packing)
EFC4612R-S-TR	FN	WLCSP4, 1.3×1.3 / EFCP1313-4CC-037 (Pb-Free / Halogen Free)	5,000 / Tape & Reel

† For information on tape and reel specifications, including part orientation and tape sizes, please refer to our Tape and Reel Packaging Specifications Brochure, BRD8011/D. http://www.onsemi.com/pub_link/Collateral/BRD8011-D.PDF

Note on usage : Since the EFC4612R-S is a MOSFET product, please avoid using this device in the vicinity of highly charged objects. Please contact sales for use except the designated application.

ON Semiconductor and the ON Semiconductor logo are trademarks of Semiconductor Components Industries, LLC dba ON Semiconductor or its subsidiaries in the United States and/or other countries. ON Semiconductor owns the rights to a number of patents, trademarks, copyrights, trade secrets, and other intellectual property. A listing of ON Semiconductor's product/patent coverage may be accessed at www.onsemi.com/site/pdf/Patent-Marking.pdf. ON Semiconductor reserves the right to make changes without further notice to any products herein. ON Semiconductor makes no warranty, representation or guarantee regarding the suitability of its products for any particular purpose, nor does ON Semiconductor assume any liability arising out of the application or use of any product or circuit, and specifically disclaims any and all liability, including without limitation special, consequential or incidental damages. Buyer is responsible for its products and applications using ON Semiconductor products, including compliance with all laws, regulations and safety requirements or standards, regardless of any support or applications information provided by ON Semiconductor. "Typical" parameters which may be provided in ON Semiconductor data sheets and/or specifications can and do vary in different applications and actual performance may vary over time. All operating parameters, including "Typicals" must be validated for each customer application by customer's technical experts. ON Semiconductor does not convey any license under its patent rights nor the rights of others. ON Semiconductor products are not designed, intended, or authorized for use as a critical component in life support systems or any FDA Class 3 medical devices or medical devices with a same or similar classification in a foreign jurisdiction or any devices intended for implantation in the human body. Should Buyer purchase or use ON Semiconductor products for any such unintended or unauthorized application, Buyer shall indemnify and hold ON Semiconductor and its officers, employees, subsidiaries, affiliates, and distributors harmless against all claims, costs, damages, and expenses, and reasonable attorney fees arising out of, directly or indirectly, any claim of personal injury or death associated with such unintended or unauthorized use, even if such claim alleges that ON Semiconductor was negligent regarding the design or manufacture of the part. ON Semiconductor is an Equal Opportunity/Affirmative Action Employer. This literature is subject to all applicable copyright laws and is not for resale in any manner.