

# AS85049/20 Crimp Ring Backshell

Glenair Connector  
Designator H

MIL-DTL-38999  
Series III & IV,  
EN3645

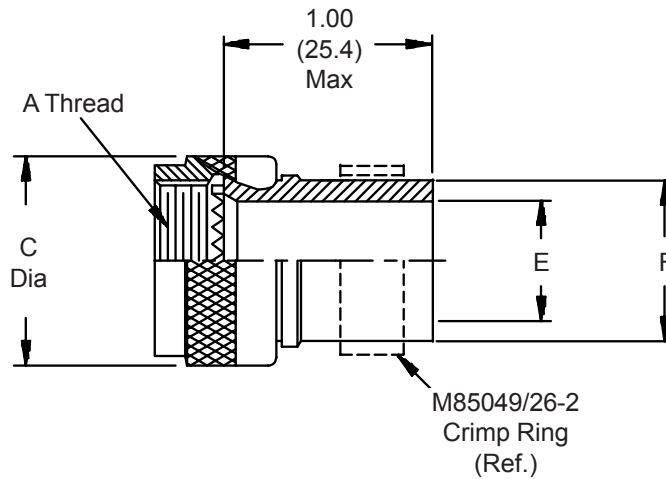
**M85049/20-11 W**

Basic Part No.

Shell Size

Finish

N = Electroless Nickel  
W = 1,000 Hour Cadmium Olive  
Drab Over Electroless Nickel



**TABLE I**

Shell Size	A Thread Class 2B	C Dia Max	E Max Cable Entry	F Dia	M85049/26-2 Crimp Ring Ref.
9	M12 X 1 - 6H	.75 (19.1)	.265 (6.7)	.347 (8.8)	8
11	M15 X 1 - 6H	.85 (21.6)	.343 (8.7)	.498 (12.6)	10
13	M18 X 1 - 6H	1.00 (25.4)	.437 (11.1)	.510 (13.0)	12
15	M22 X 1 - 6H	1.10 (27.9)	.562 (14.3)	.630 (16.0)	14
17	M25 X 1 - 6H	1.25 (31.8)	.687 (17.4)	.760 (19.3)	16
19	M28 X 1 - 6H	1.40 (35.6)	.812 (20.6)	.890 (22.6)	18
21	M31 X 1 - 6H	1.50 (38.1)	.937 (23.8)	1.010 (25.7)	20
23	M34 X 1 - 6H	1.65 (41.9)	1.046 (26.6)	1.130 (28.7)	22
25	M37 X 1 - 6H	1.75 (44.5)	1.125 (28.6)	1.202 (30.5)	24

1. For complete dimensions see applicable Military Specification.
2. Metric dimensions (mm) are indicated in parentheses.