

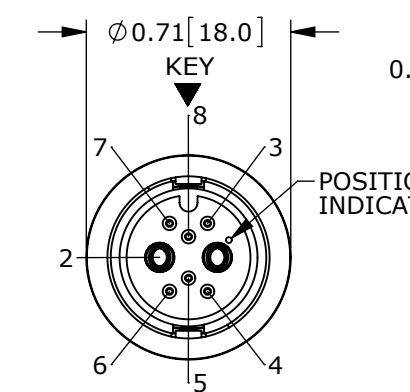
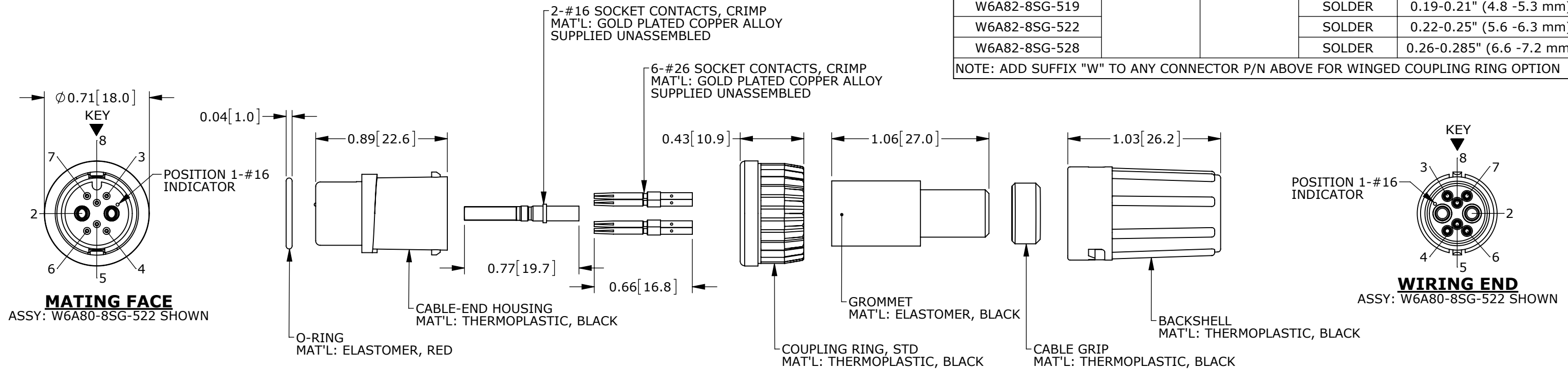
CUSTOMER PRINT

PART NUMBER: W6A8X-8SG-5XX_CD

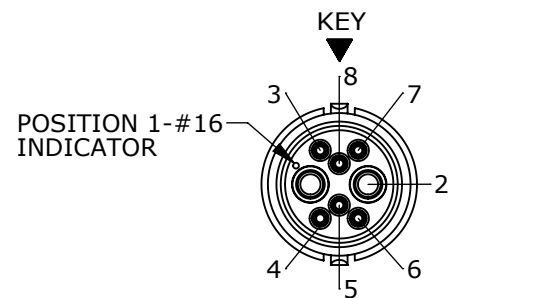
NOTES:
 1. ALL PARTS TO BE BULK PACKED.
 2. SEE DRAWING HPMIMIX FOR HOLE PATTERN.
 3. DIMENSIONS ARE FOR REFERENCE ONLY.

| CONNECTOR P/N | POSITIONS | | CONTACT STYLE | CABLE O.D. RANGE |
|---------------|-----------|-----|---------------|---------------------------|
| | #16 | #26 | | |
| W6A80-8SG-513 | 2 | 6 | CRIMP | 0.13-0.15" (3.3 -3.8 mm) |
| W6A80-8SG-516 | | | CRIMP | 0.16-0.18" (4.1 -4.6 mm) |
| W6A80-8SG-519 | | | CRIMP | 0.19-0.21" (4.8 -5.3 mm) |
| W6A80-8SG-522 | | | CRIMP | 0.22-0.25" (5.6 -6.3 mm) |
| W6A80-8SG-528 | | | CRIMP | 0.26-0.285" (6.6 -7.2 mm) |
| W6A82-8SG-513 | | | SOLDER | 0.13-0.15" (3.3 -3.8 mm) |
| W6A82-8SG-516 | | | SOLDER | 0.16-0.18" (4.1 -4.6 mm) |
| W6A82-8SG-519 | | | SOLDER | 0.19-0.21" (4.8 -5.3 mm) |
| W6A82-8SG-522 | | | SOLDER | 0.22-0.25" (5.6 -6.3 mm) |
| W6A82-8SG-528 | | | SOLDER | 0.26-0.285" (6.6 -7.2 mm) |

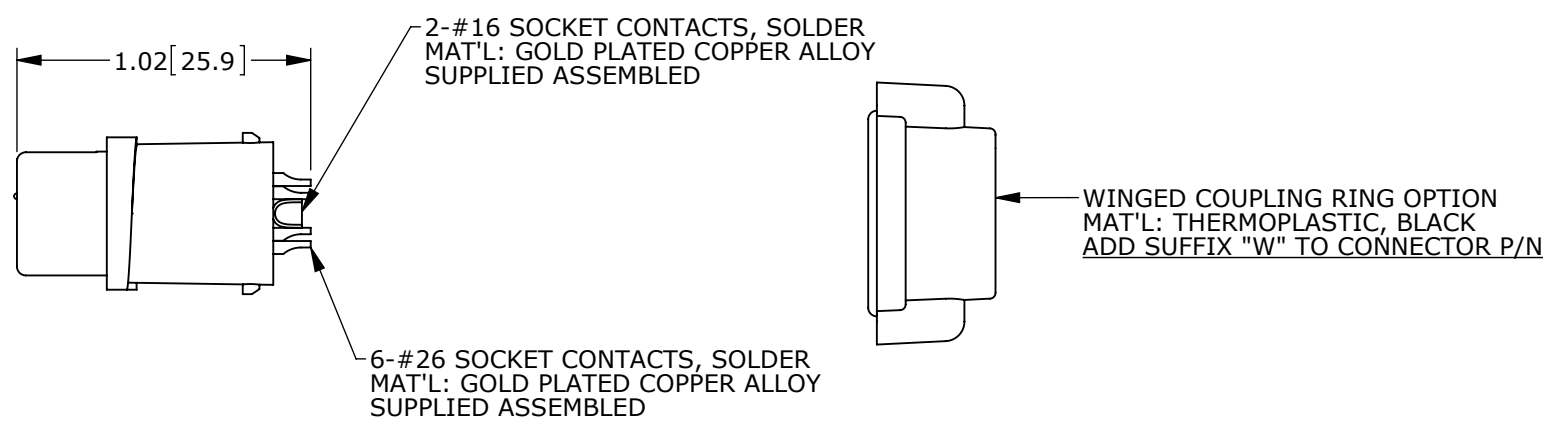
NOTE: ADD SUFFIX "W" TO ANY CONNECTOR P/N ABOVE FOR WINGED COUPLING RING OPTION



MATING FACE
 ASSY: W6A80-8SG-522 SHOWN



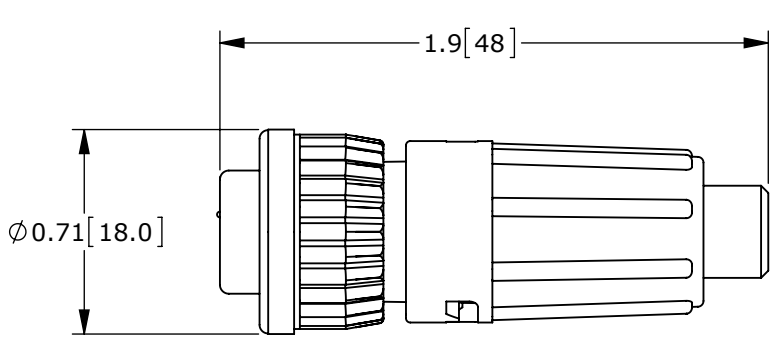
WIRING END
 ASSY: W6A80-8SG-522 SHOWN



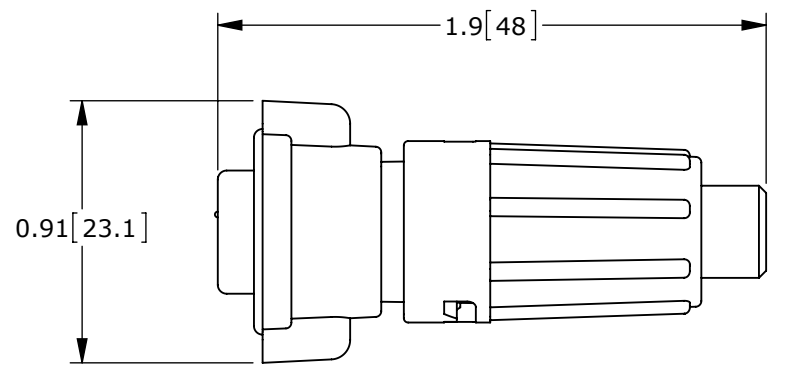
CUSTOMER APPROVAL

THIS DOCUMENT CONTAINS CONFIDENTIAL INFORMATION PROPRIETARY TO CONXALL CORPORATION. ANY REPRODUCTION, DISCLOSURE, OR USE OF THIS DOCUMENT /INFORMATION IS EXPRESSLY PROHIBITED UNLESS AUTHORIZED IN WRITING BY CONXALL CORPORATION.

APPROVED BY: _____
 DATE: _____



SHOWN ASSEMBLED WITH STANDARD COUPLING RING



SHOWN ASSEMBLED WITH WINGED COUPLING RING

PRELIMINARY

RoHS COMPLIANT

| | | | |
|--|----------------|-------------------------------|---|
| 0A | PNK | 01-19-16 | PDR 14001 PRELIMINARY |
| REV. | INIT. | DATE | DESCRIPTION |
| | PNK | 01-19-16 | 2-16 + 6-26 SOCKET CONTACTS MINI-CON-X POWER/SIGNAL |
| ALL INFORMATION ILLUSTRATED IS THE PROPERTY OF CONXALL CORPORATION. UNAUTHORIZED DUPLICATION OR DISTRIBUTION OF THIS DOCUMENT IS PROHIBITED. | | | 601 E. WILDWOOD VILLA PARK, IL 60181 |
| ALL UNITS ARE IN FEET, INCHES, FRACTION OF INCHES AND DECIMALS. UNLESS OTHERWISE SPECIFIED TOLERANCES: 3 PLACE DECIMALS ±.005 ANGLES ±1° FRACTIONS ±1/16 | | | |
| APPROVED BY: _____ | | TITLE: CABLE-END CONNECTOR | CUSTOMER: STANDARD PRODUCT |
| SCALE: NTS | SIZE: B | SHEET: 1 OF 1 | |
| FILE: W6A8X-8SG-5XX_CD | DIRECTORY: SLW | PART NUMBER: W6A8X-8SG-5XX_CD | REV: 0A |