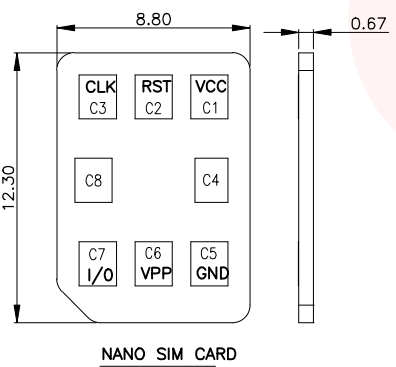
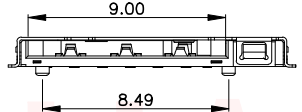
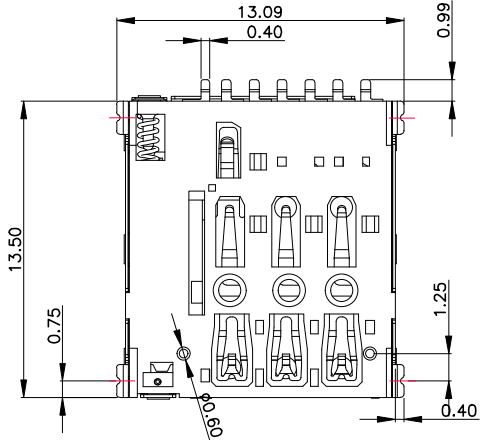
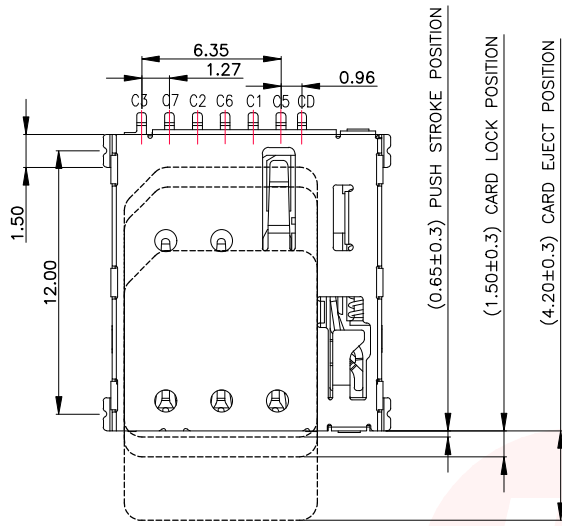
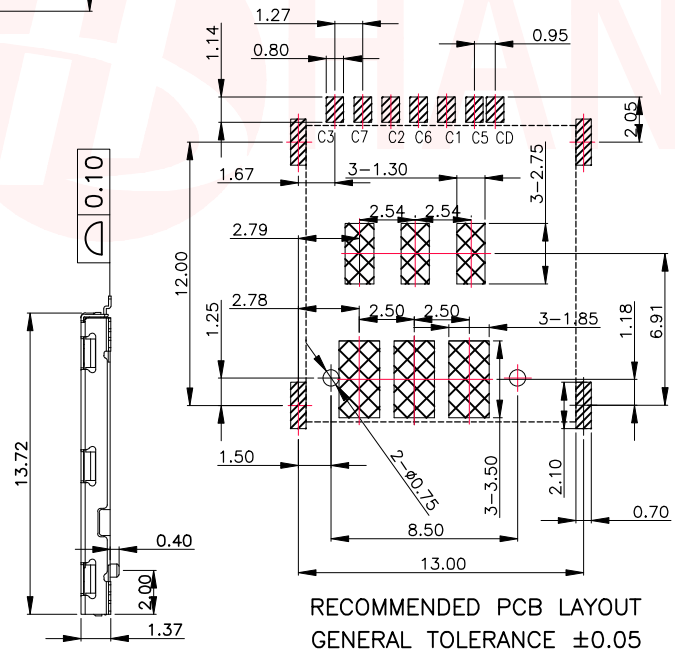




REV.	ECN NO OR DESCRIPTION	REVISED	DATE



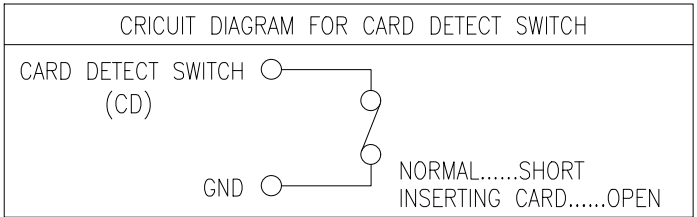
PIIN/NO	ASSIGNMENT
C1	VCC
C2	RST
C3	CLK
CD	Detect Switch
C5	GND
C6	VPP
C7	I/O



PAD
 KEEP OUT AREA

NOTES:

- MATERIAL:
HOUSING:HI-TEMP. PLASIC UL 94V-0
CONTACT:COPPER ALLOY
SHELL:STANLESS STEEL
- PLATING :
TERMINAL:
CONTACT AREA: Au GOLD FLASH.
SOLDER AREA: AU GOLD FLASH.
UNDER PLATE: NICKEL.
SHELL: NICKEL PLATED OVER ALL.
SOLDER AREA: GOLD FLASH.
- SPECIALITY:
3.1 Rated current:1.0A
3.2 Rated voltage:30V
3.3 Contact Resistance:100mΩ MAX
3.4 Insulation Resistance:1000MΩ MIN 500V DC
3.5 Dielectric withstanding voltage: 500V AC.
3.6 Solder ability:260+0/-5℃, 30±10s.
3.7 Durability:5000 Cycles Min.
3.8 Operating condition:Temperature-40℃~+85℃;
Humidity 80% R.H MAX



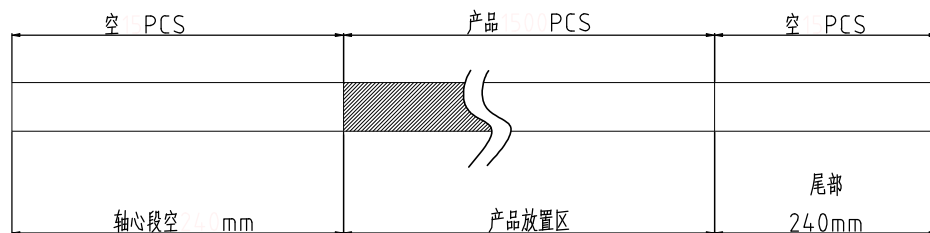
UNLESS OTHERWISE SPECIFIED TOLERANCES		东莞市汉博电子科技有限公司 DONGGUAN HANBO TECHNOLOGY CO., LTD		
DECIMALS:	ANGLES:	TITLE	6+1PIN 137H PUSH PUSH Nano SIM CARD CONN.	
X :±0.30	X :±2°	DWN	xiong	PART NO. SNO-1351S
X.X :±0.20	X.X :±1°	CHKD	lee	SCALE:1:1 UNIT: mm
X.XX :±0.10		APVD	wang	SIZE: A4 SHEET:10F 1 REV: A4
CUSTOMER COPY				



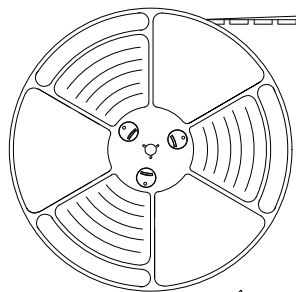
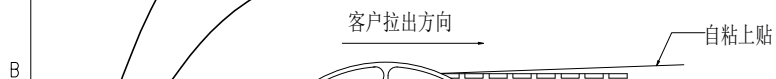
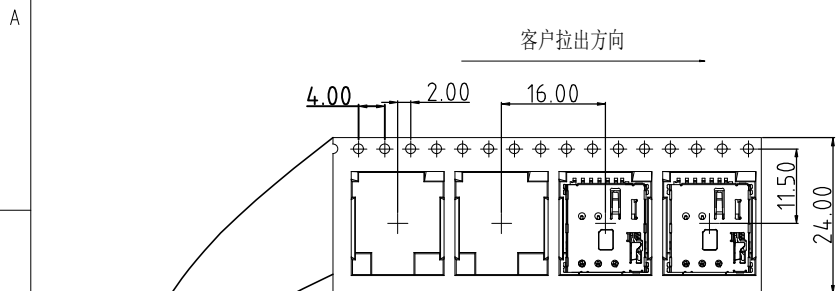
REV.	ECN NO OR DESCRIPTION	REVISED	DATE

NOTES

1. 每卷包装数量: \square PCS/每卷
2. 卷带包装方式:



3. 每箱包装数量: \square PCS/箱
4. 纸箱350mm*350mm*340mm(内部尺寸), 材质K=K



纸箱底部和顶部各垫一块珍珠棉

护角

纸箱

封箱胶带“工”字形封好

绿色环保标签 (RoHS)

产品标签贴在纸箱左上角

PE袋

10 Reels

将10卷产品放入箱内

UNLESS OTHERWISE SPECIFIED TOLERANCES		东莞市汉博电子科技有限公司 DONGGUAN HANBO TECHNOLOGY CO., LTD			
DECIMALS:	ANGLES:	TITLE	6+1PIN 1.37H PUSH PUSH Nano SIM CARD CONN.		
X :±0.30	X :±2°	DWN	xiong	PART NO. SNO-1351S	
X.X :±0.20	X.X :±1°	CHKD	lee	SCALE:1:1	UNIT: mm
X.XX :±0.10		APVD	wang	SIZE: A4	SHEET:10F 1
		REV: A4			
CUSTOMER COPY					