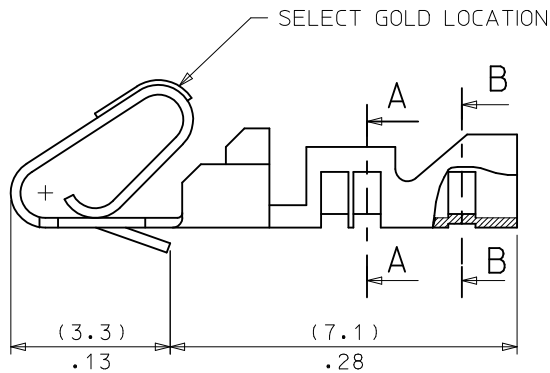
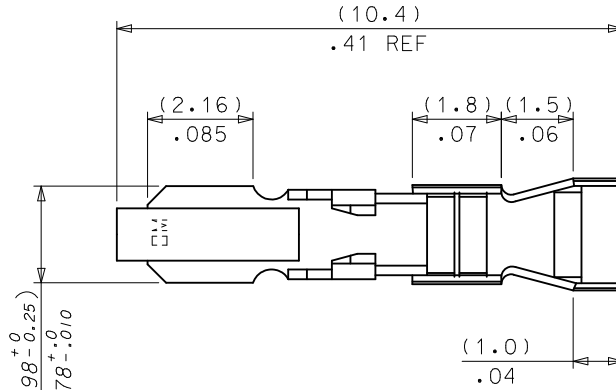
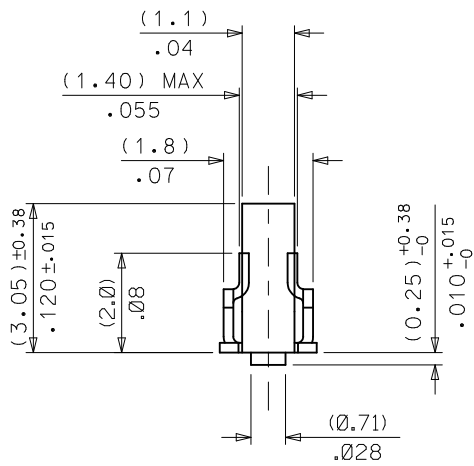


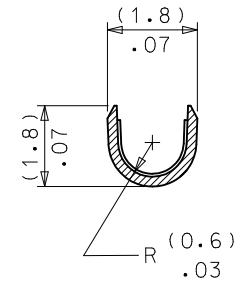
TOP FEEDING REEL WINDING DIRECTION



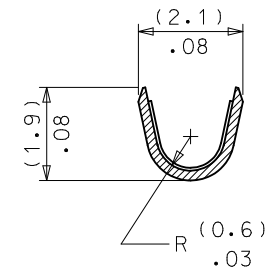
PART No.	ENG No.	FORM	FINISH
08-65-0105	8088-(555)	CHAIN	555
08-65-0106	8088-(555)L	LOOSE	

LEGEND

8088-(\*\*\*)\*  
 PLATING CODE ——— BLANK = CHAIN FORM, TOP FEEDING REEL  
 L = LOOSE FORM



A-A



B-B

NOTES:

- MATERIAL: PHOS. BRONZE
- FINISH:  
555 = 0.00038/.000015 MIN. SELECT GOLD IN CONTACT AREA OVER (0.00076)/.000030 MIN. NICKEL OVERALL
- PRODUCT SPECIFICATION: PS-99020-0088.
- FOR 22-30 AWG WIRE: (1.57)/.062 DIA MAX INSULATION
- THIS PART CONFORMS TO CLASS B REQUIREMENTS OF MOLEX COSMETIC SPECIFICATION PS-45499-002.

CORRECT GOLD LOC. EC NO: UCP2012-1821 DRAWN: HKIPPER 2011/08/02 CHKD: HKIPPER 2011/08/02 APPR: F SMITH 2012/02/02	QUALITY SYMBOLS	GENERAL TOLERANCES (UNLESS SPECIFIED)	DIMENSION STYLE	SCALE	DESIGN UNITS	THIRD ANGLE PROJECTION
	▽E7=0	mm INCH	MM/IN	10:1	METRIC	☉
	▽E7=0	4 PLACES ± --- ± ---	DRAWN BY DATE	T. MAHON 1998/10/26	TITLE	KK (2.54)/.100 ANTI-FISH HOOKING TERMINAL 22-30 AWG
	▽E7=0	3 PLACES ± --- ± .010	CHECKED BY DATE	DMORIARTY 2006/09/14	molex MOLEX INCORPORATED	
REV	DESCRIPTION	2 PLACES ± 0.25 ± .020	APPROVED BY DATE	JDENNEHY 2006/09/14		DOCUMENT NO.
K		1 PLACE ± 0.51 ± ---	MATERIAL NO.	SEE CHART	SD-8088-****	1 OF 1
DRAFT WHERE APPLICABLE MUST REMAIN WITHIN DIMENSIONS			THIS DRAWING CONTAINS INFORMATION THAT IS PROPRIETARY TO MOLEX INCORPORATED AND SHOULD NOT BE USED WITHOUT WRITTEN PERMISSION			