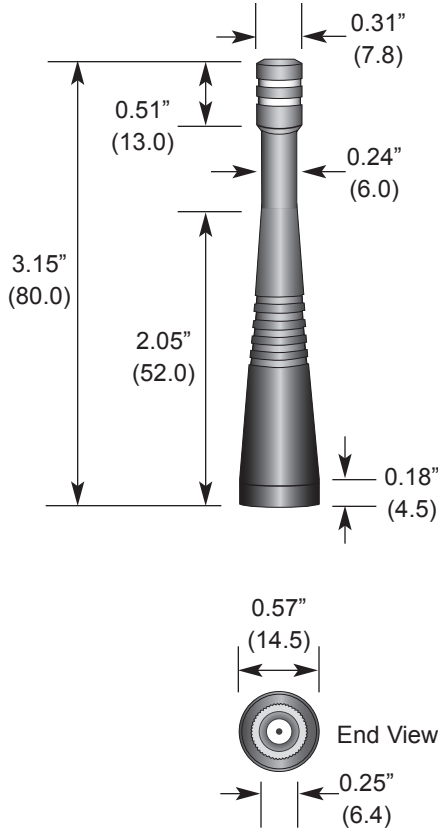


Product Dimensions



Description



CW Series 1/4-wave antennas deliver outstanding performance in a rugged and cosmetically attractive package. These antennas are available with standard SMA or FCC Part 15 compliant RP-SMA connectors. RP-SMA connectors allow for easy field replacement while complying with FCC requirements. A wide variety of matching connectors permit numerous mounting options.

Features

- Low cost
 - Excellent performance
 - Omni-directional pattern
 - Wide bandwidth
 - Very low VSWR
 - Fully weatherized
 - Flexible main shaft
 - Rugged & damage-resistant
 - SMA or Part 15 compliant RP-SMA connector
 - Use with plastic* or metal enclosures
- * Requires proximity ground plane

Electrical Specifications

| | |
|---------------------------|---------------------|
| • Center Freq. | 916MHz |
| • Recommended Freq. Range | 865-965MHz |
| • Wavelength | 1/4-wave |
| • VSWR | <1.9 typ. at center |
| • Impedance | 50 ohms |
| • Connector | SMA or RP-SMA |

Electrical specifications and plots measured on 4.00" x 4.00" reference ground plane

Ordering Information

- ANT-916-CW-QW (with RP-SMA connector)
- ANT-916-CW-QW-SMA (with SMA connector)

VSWR Graph

