

GENERAL SPECIFICATION

Item	Content
Number of Character	16x2
Module Size	122.0(W)x44.0(H)x10.5/14.0(D)mm Max
Viewing Area	99.0(W)x24.0(H)mm
Character Size	4.84(W)x8.06(H)mm
Dot Size/Dot Pitch	0.92(W)x1.1(H)mm/0.98(W)x1.16(H)mm
Backlight	Without/EL/LED
Options	Gray STN/Yellow STN/Extended Temperature/Bottom/Top Viewing

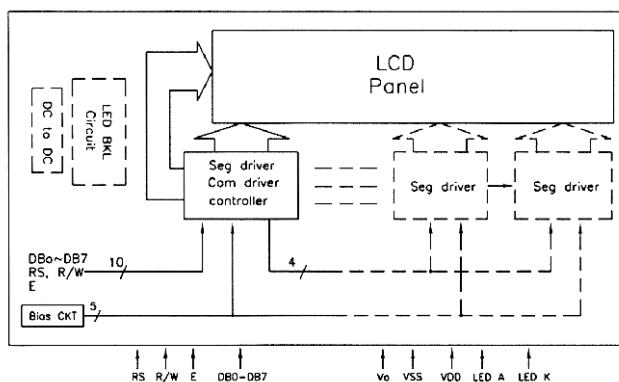
INTERFACE PIN ASSIGNMENT

Pin No.	Pin Out	Function Description
1	V _{SS}	Ground
2	V _{DD}	Logic Circuit Power Supply
3	V _O	Power Supply for LCD Panel
4	RS	Data/Instruction Register Select
5	R/W	Read/Write Select
6	E	Enable Signal
7-14	DB0-DB7	3-State I/O Data Bus
15	BKL1	Power Supply for Backlight. 100V/400Hz AC for EL, 4.2V or 120-180mA DC for LED backlight. Don't care if no backlight
16	BKL2	

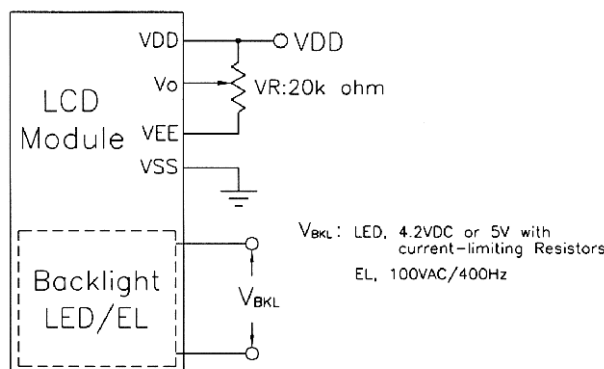
ELECTRICAL CHARACTERISTICS

Item	Symbol	Condition	Min.	Typ.	Max.	Unit	Note
Power Supply for Logic	V _{DD} -V _{SS}	-	2.7	4.5	5.5	Volt	-
Input Voltage	V _{IL}	L level	V _{SS}	0.2V _{DD}	-	Volt	-
	V _{IH}	H level	0.8V _{DD}	V _{DD}	-	Volt	
LCM Recommend LCD Module Driving Voltage	V _{DD} =5V	Ta=0°C	-	-	-	Volt	-
		Ta=25°C	3.8	4.1	4.4		
		Ta=50°C	-	-	-		
Power Supply Current for LCM	I _{DD} (B/L OFF)	V _{DD} =5.0V V _{DD} -V _O =4.1V	-	1.5	2.0	mA	-
	I _{LED}	V _{LED} =4.2V Ta=25°C	-	120	180		

BLOCK DIAGRAM



POWER SUPPLY



MECHANICAL

