

# Timer, Counter, Tachometer KC-LED-96-1T-24VDC

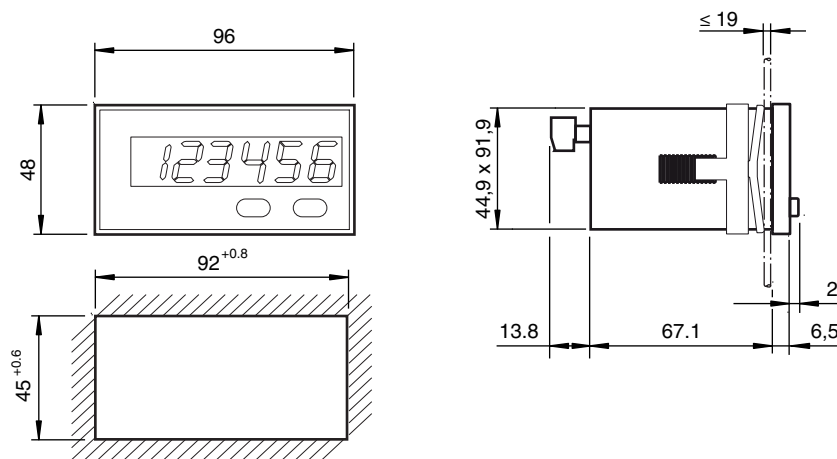


- Counter/Timer/Tachometer
- Extremely bright, large LED indicator
- 1 pre-select value with transistor output
- Adding/subtracting via 2 separate inputs
- PNP and NPN sensors can be connected
- Degree of protection IP65 (front only)

LED display with 24 VDC supply voltage



## Dimensions



## Technical Data

### General specifications

Pre-selection	single
Data storage	EEPROM
Programming	keypad-driven menu

### Functional safety related parameters

MTTF <sub>d</sub>	330 a
Mission Time (T <sub>M</sub> )	10 a
Diagnostic Coverage (DC)	0 %

### Indicators/operating means

Type	6-digit 7-segment LED display, red
Display value	digit height 14 mm
Display interval	0.001 s ... 999999 h
Decimal point	0 to max 3 fractional digits
Accuracy	Speed indicator: < 0.1%; timer: < 50 ppm
Reset	manually or external

### Electrical specifications

Release date: 2020-03-23 Date of issue: 2020-03-26 Filename: 215124\_eng.pdf

Refer to "General Notes Relating to Pepperl+Fuchs Product Information".

Pepperl+Fuchs Group  
www.pepperl-fuchs.com

USA: +1 330 486 0001  
fa-info@us.pepperl-fuchs.com

Germany: +49 621 776 1111  
fa-info@de.pepperl-fuchs.com

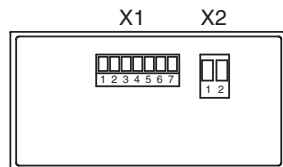
Singapore: +65 6779 9091  
fa-info@sg.pepperl-fuchs.com

PEPPERL+FUCHS

**Technical Data**

Fusing		10 ... 30 V DC: T 0.1 A
Operating voltage	$U_B$	10 ... 30 V DC
Operating current	$I_B$	max. 50 mA
<b>Input</b>		
Signal voltage		
High		$0.6 \times U_e \dots 30 \text{ V DC}$
Low		$0 \dots 0.2 \times U_e$
Counting frequency		30 Hz / 60 kHz with position display max. 25 kHz
Minimum pulse duration		5 ms for reset input
Impedance		approx. 5 kOhm
Counting method		adding or subtracting
<b>Compliance with standards and directives</b>		
Directive conformity		
EMC Directive 2004/108/EC		EN 61000-6-2:2005
Standard conformity		
Emitted interference		DIN EN 55011:2009, Class B
<b>Ambient conditions</b>		
Ambient temperature		-20 ... 65 °C (-4 ... 149 °F) non-condensing
Storage temperature		-25 ... 70 °C (-13 ... 158 °F)
Altitude		0 ... 2000 m
<b>Mechanical specifications</b>		
Degree of protection		IP65 (front)
Mass		approx. 140 g
Dimensions		96 mm x 48 mm x 89.4 mm

**Connection**



Connection assignment X2

Terminal No.	DC version
1	Power supply 0 V DC (GND)
2	Power supply 10 ... 30 V DC

Connection assignment X1

Terminal No.	DC version
1	Optocoupler collector output
2	Optocoupler emitter output
3	SET
4	INP B
5	INP A
6	n.c
7	n.c.

Release date: 2020-03-23 Date of issue: 2020-03-26 Filename: 215124\_eng.pdf