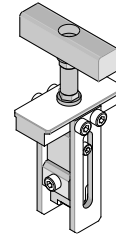


**EnergetiC™
Vertical Receptacle
Terminal
Removal Tool**

molex

**Application Tooling
Specification Sheet**



Order No. 62100-7730

FEATURES

- Removes two terminals per tool cycle.
- Use tool 62100-7720 for removing the vertical receptacle housing.

SCOPE

Products: EnergetiC™ Vertical Receptacle Assembly, 171098 Series. See Product List below for specific order numbers.

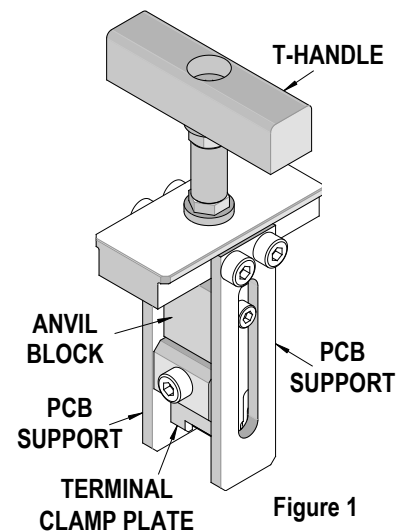
Product List

The following is a partial list of the product order numbers and their specifications that this tool is designed to run. Updates to this list are available on www.molex.com

Series No.	Assembly Order Number			
171098	171098-0001	171098-0002	171098-0003	171098-0015

Tool Setup

The principal parts of the terminal removal tool are shown in Figure 1.



Tool Operation

1. Remove the vertical receptacle housing using Molex tool 62100-7720. The terminals will be exposed as shown in Figure 2.
2. Turn the T-handle counterclockwise (CCW) until the clamp plates and anvil block are fully down. See Figure 1.

NOTE: The threaded shaft will disengage from the anvil block.

3. Using a 3mm hex wrench, loosen the screw holding each clamp plate 1-1/2 turns.

NOTE: If the screws are not loosened, the tool will not fit over the power terminals.

4. Move the clamp plates away from the anvil.
5. Position the tool over a row of terminals.
6. Working from the top, move the anvil block and clamp plates down over the power terminals until the clamp plates rest on the shoulder of the terminal. See Figure 3.

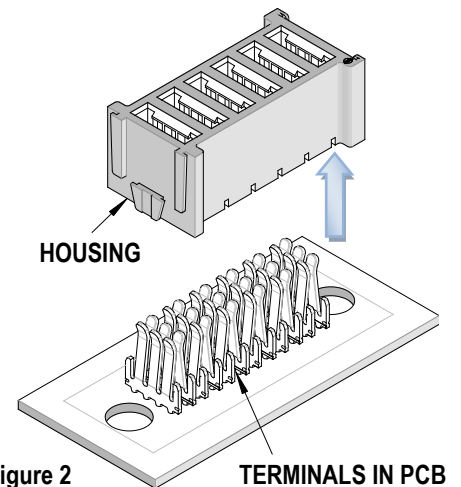


Figure 2

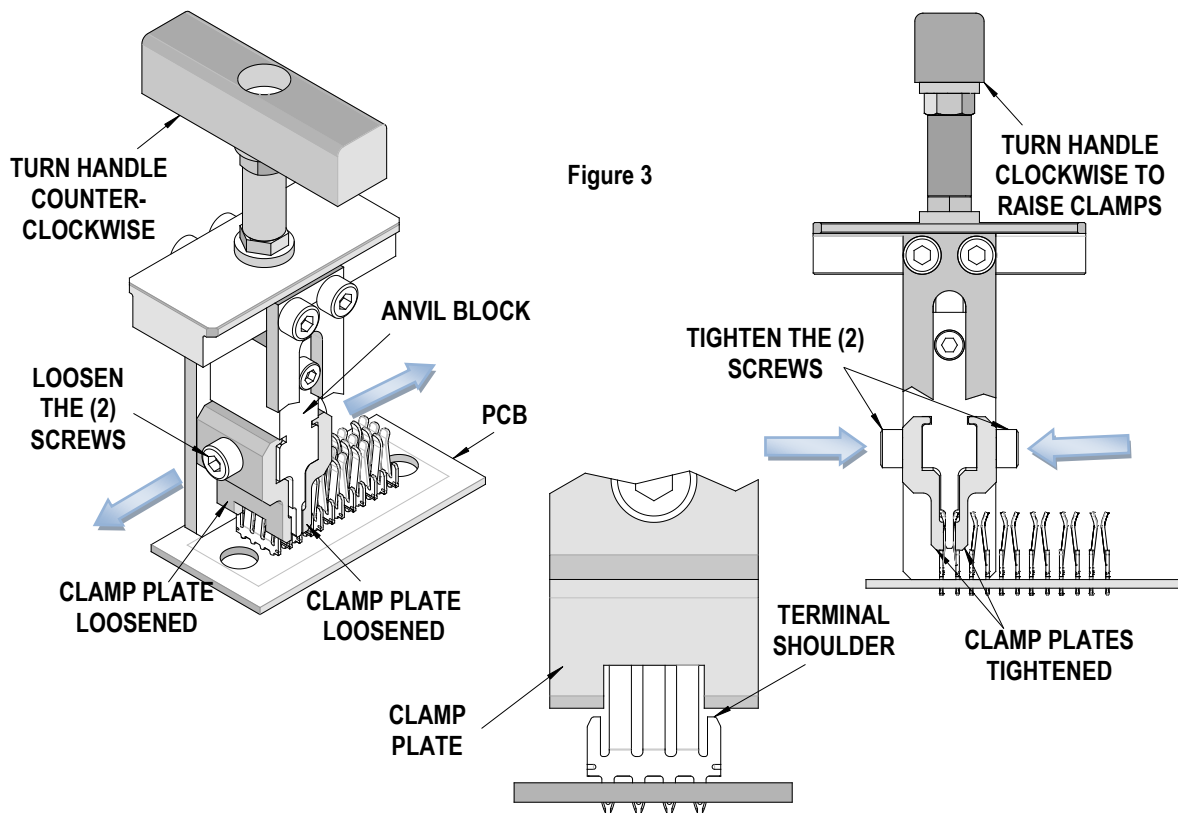


Figure 3

7. Tighten the screws holding the terminal clamp plates.
8. Turn the T-handle clockwise (CW) until the threaded shaft engages the anvil block.
9. Continue turning the T-handle; the PCB supports will contact the PCB then the terminals will be pulled up.
10. When the terminals are free from the PCB, pull the tool straight up and away from the PCB.
11. Loosen the clamp plate screws and take the terminals out of the tool.
12. After the terminals are removed, they cannot be reused and should be discarded or recycled.

Contact Information

For more information on Molex application tooling please contact Molex at 1-800-786-6539.

Parts List

Item	Order No	Description	Quantity
	62100-7730	EnergetiC™ Receptacle Terminal Removal Tool	Figure 4
1	621007731	Anvil Block	1
2	621007902	Side Plate Guide	2
3	621007733	Terminal Clamp Plate	2
4	621007904	Top Plate	1
5	621006204	T Handle	1
6	636001959	Collar	1
7	636001960	Stop Screw	1
8	637004553	E-Ring, 0.187" Shaft	1
Hardware			
9	N/A	M3 by 5 Long SHCS	2**
10	N/A	M4 by 8 Long SHCS	6**
11	N/A	M5 Flat Washer	2**
12	N/A	M5 by 0.8 Jam Nut	1**

** Available from an industrial supply company such as MSC (1-800-645-7270).

Assembly Drawing

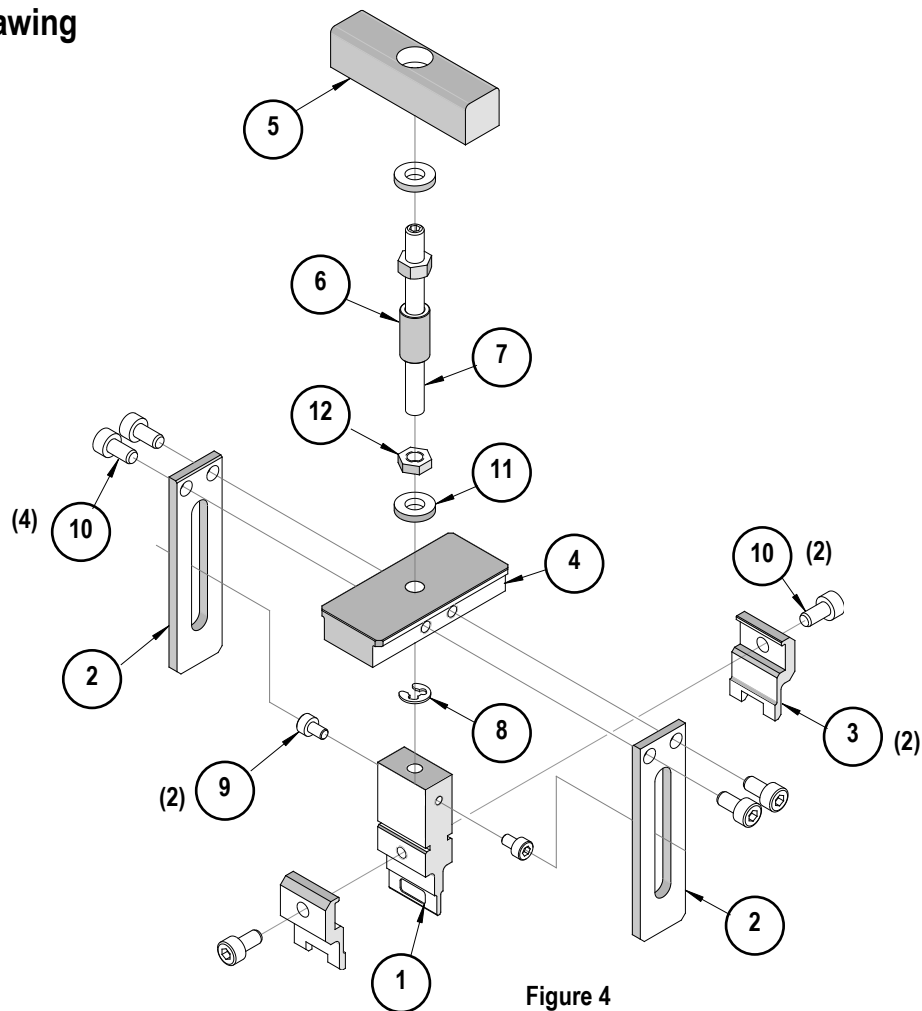


Figure 4

Visit our Web site at <http://www.molex.com>