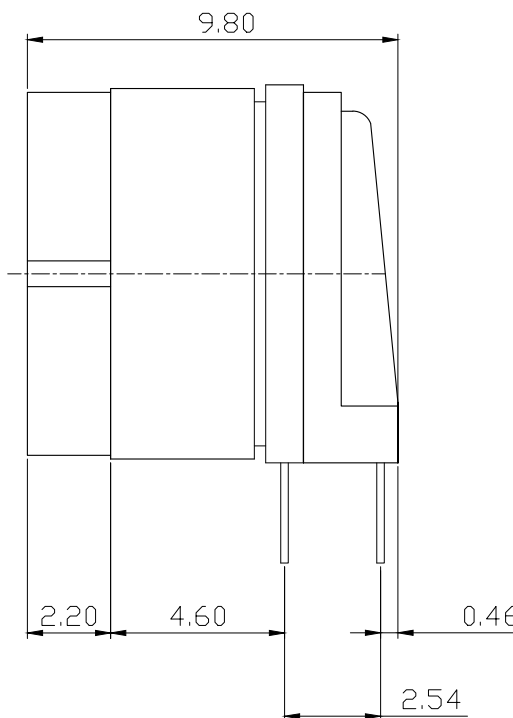
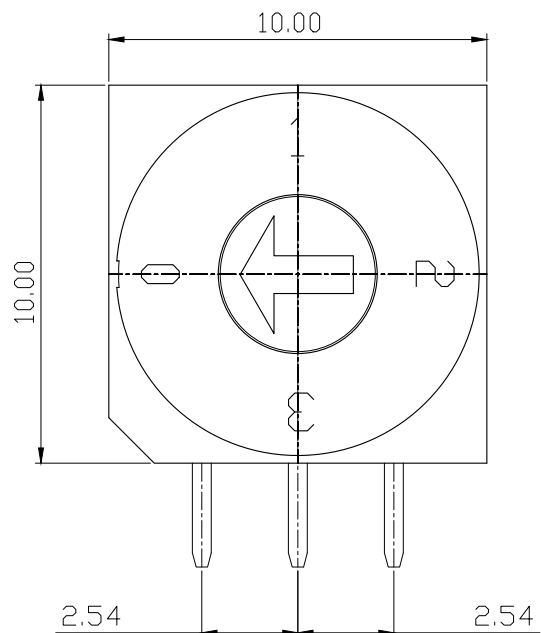


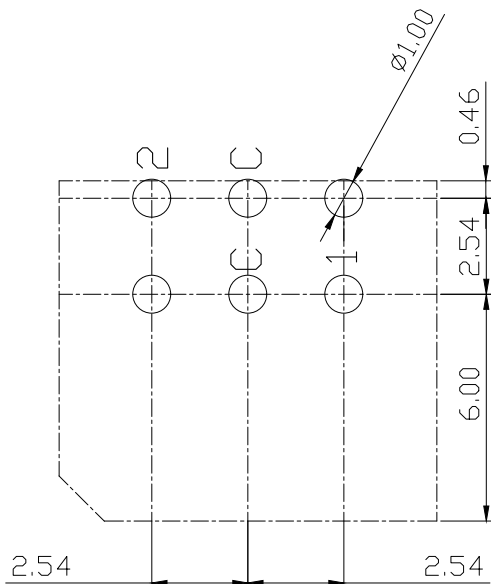
MARK	DATE	REMARKS
△		
△		



### SPECIFICATION

1. Rating : 25mA, 12V DC (Switching)  
25mA, 24V DC (None-Switching)
2. Contact Resistance : 100mΩ Max
3. Insulation Resistance : 100MΩ Min
4. Operating Force : 700gf Max
5. Life cycle : 10,000 steps

		Real Coded		
		C	1	2
04 P o s i t i o n	0	●		
	1	●	●	
	2	●		●
	3	●	●	●



P.C.B DIMENSION

APPD	CHKD	D'SGD	TITLE.
K.L LEE	J.P ROH	J.S SIN	ROTARY DIP SWITCH
MODEL NO.			TDR-04H1
			REV A
SUNGMUN ELECTRONICS CO., LTD.			