


Figure 1


1. INTRODUCTION

Crimping Heads 1-46121-0, 1-47386-0, 1-47386-4, 1-47387-0, 1-47387-7, 1-525690-0, and 1-525691-0 are designed to crimp PIDG Terminals and Splices, and PLASTI-GRIP Terminals and Splices onto solid or stranded copper wire size 26-14 AWG. Refer to Figure 2. The crimping heads are used with Double Action Battery Powered Hand Tool Kits 1213804-[].

NOTE  The crimping heads can also be used with the 626 Double Action Pneumatic Tool Adapter 1213563-1.

This instruction sheet provides recommended procedures for wire preparation, crimping head installation, crimping, and maintenance and

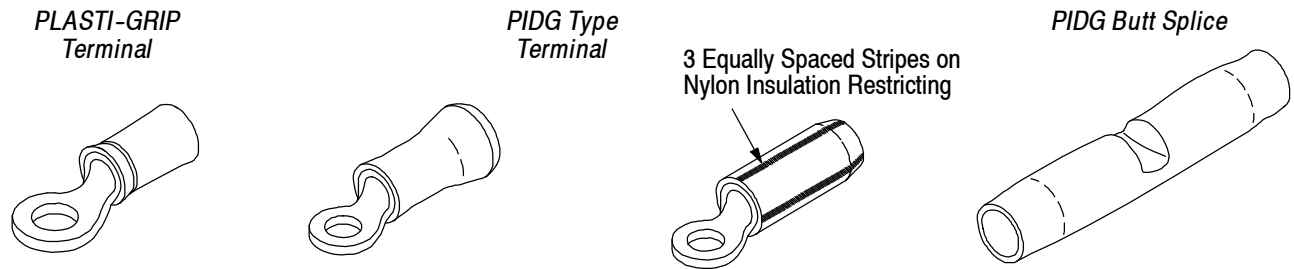
inspection. For information concerning tool setup and operation, refer to Customer Manual 409-10056 packaged with the battery tool kit.

NOTE  Dimensions are in metric units with [inches in brackets]. Figures and illustrations are for reference only and are not drawn to scale.

Reasons for reissue are provided in Section 8, REVISION SUMMARY.

2. DESCRIPTION

The crimping head consists of integral jaws which close in an arc-like motion. After an operator locates the terminal or splice between the crimping jaws and inserts the stripped wire, the tool is activated to crimp the terminal or splice to the wire.



PRODUCT	CRIMPING HEAD	DOT CODE	WIRE SIZE RANGE (AWG)	TERMINAL/SPLICE INSULATION COLOR CODE	WIRE STRIP LENGTH			
					TERMINALS		SPLICES	
					Min.	Max.	Min.	Max.
PIDG Terminals and Splices	1-46121-0	1 Dot	26-22	Yellow	3.97 [.156]	4.78 [.188]	4.37 [.172]	5.16 [.203]
PIDG Terminals and Splices and PLASTI-GRIP Terminals	1-47386-0 1-47386-4 1-525690-0	1 Dot	22-16 (Commercial)	Red	5.16 [.203]	5.94 [.234]	6.35 [.250]	7.14 [.281]
	1-47387-0 1-47387-7 1-525691-0	2 Dots	16-14	Blue	5.16 [.203]	5.94 [.234]	6.35 [.250]	7.14 [.281]

PRODUCT	CRIMPING HEAD	DOT CODE	WIRE SIZE RANGE (AWG)	INSULATION DIAMETER RANGE	TERMINAL/SPLICE INSULATION COLOR CODE	WIRE STRIP LENGTH	
						Min.	Max.
PIDG Nylon Insulation Restricting Terminals	1-46121-0	1 Dot	26	0.66-1.40 [.026-.055]	Yellow with Black Stripe	4.75 [.187]	5.56 [.219]
			24	0.79-1.40 [.031-.055]	Yellow with Blue Stripe	6.35 [.250]	7.14 [.281]
	1-47386-0 1-47386-4 1-525690-0	1 Dot	24	0.79-1.40 [.031-.055]	Yellow with Blue Stripe		
			22	0.97-2.79 [.038-.110]	Red with Green Stripe		
			20	1.17-2.79 [.046-.110]	Red with Red Stripe		
	1-47387-0 1-47387-7 1-525691-0	2 Dots	18	1.42-2.79 [.056-.110]	Red with White Stripe		
			16	1.60-3.30 [.063-.130]	Blue with Blue Stripe		
14	1.98-3.30 [.078-.130]	Blue with Green Stripe					


NOTE: Refer to Tyco Electronics Catalog 82042 for product part numbers.

Figure 2


3. HEAD INSTALLATION AND REMOVAL


3.1. Head Selection

The crimping heads are coded to match the terminal and splice insulation color. Observe the embossed dots on the insulation of finished crimps to ensure that the correct combination of terminal or splice and head was used. See Figure 2.

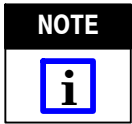
NOTE  Crimping heads are coated with a preservative to prevent rust and corrosion. Wipe this preservative from the head, particularly from the crimping surfaces.

3.2. Installation

DANGER  To avoid personal injury, be sure to exercise extreme caution when handling the crimp tool. Avoid accidentally depressing the trigger control when installing or removing crimp heads.

DANGER  DO NOT operate the battery tool without the proper crimping head installed. After crimping head is installed, make sure that the quick pins are properly inserted to avoid personal injury and damage to the tool.

1. Remove quick pins from the adapter assembly. Refer to Figure 1.
2. Insert crimping head into the adapter assembly.
3. After the crimping head is properly aligned, insert the quick pins through the two holes in the adapter and through the holes in the crimp head.



The quick pins will “snap” into position when they are properly inserted.

3.3. Removal



To avoid personal injury, ALWAYS disconnect the battery from the tool before removing crimping head.

Remove the quick pins from the crimping head; then remove the crimping head from the tool holder.

4. CRIMPING PROCEDURES



To avoid personal injury, ALWAYS keep fingers clear of crimping jaws when operating the tool. Never place anything within the crimping jaws except Tyco Electronics terminals or splices.

4.1. Terminal Crimping Procedure

1. Strip wire to dimensions shown in Figure 2. DO NOT nick wire strand or use wires with nicked or missing conductor strands.
2. Center the terminal or splice wire barrel in the appropriate crimp chamber. See Figure 3.
3. Depress the trigger to advance the moving ram. This closes the crimp jaws in order to hold the terminal in place. DO NOT deform the wire barrel.
4. Insert stripped wire into terminal until the end of the conductor butts against the locator as shown in Figure 3.
5. Activate the tool to complete the crimp. The crimp tool automatically returns to the first position of the cycle when the crimp is complete.
6. Refer to Section 5 and Figure 6 for crimp inspection.

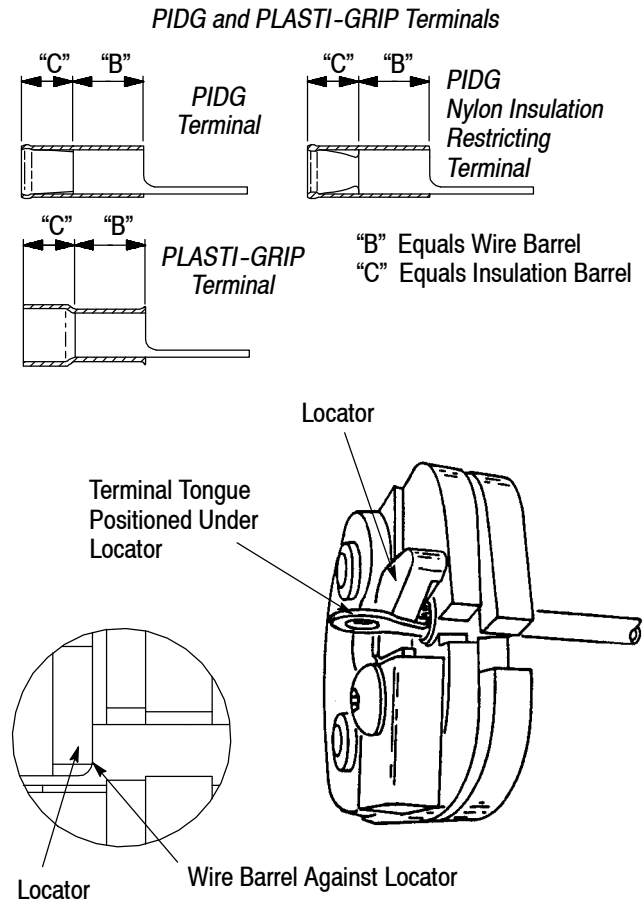


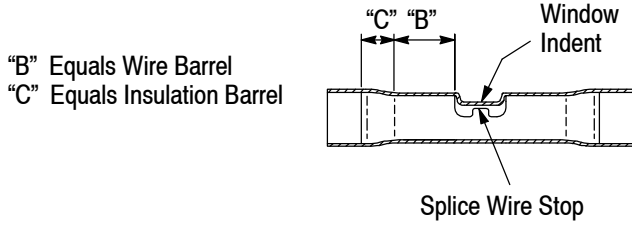
Figure 3

4.2. Butt Splice Crimping Procedure

1. Strip wire to dimensions shown in Figure 2. DO NOT nick wire strand or use wires with nicked or missing conductor strands.
2. Position splice between crimping jaws so that the window indent slides under the locator of crimp head. See Figure 4A.
3. Depress the trigger to advance the moving ram. This closes the crimp jaws to hold the terminal in place. DO NOT deform the wire barrel.
4. Insert stripped wire into wire barrel of splice until the end of the conductor is against the splice wire stop. See Figure 4A.
5. Activate tool to complete the crimp.
6. To crimp the other half of the butt splice, reposition it in the crimping jaws and repeat Steps 1 through 5. If the splice cannot be turned, rotate crimping head. See Figure 4B.

7. Refer to Section 5 and Figure 6 for crimp inspection.

4A PIDG Butt Splice



“B” Equals Wire Barrel
“C” Equals Insulation Barrel

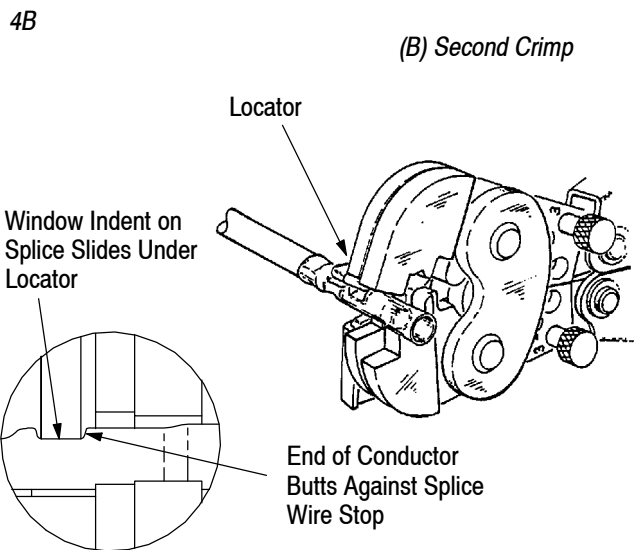
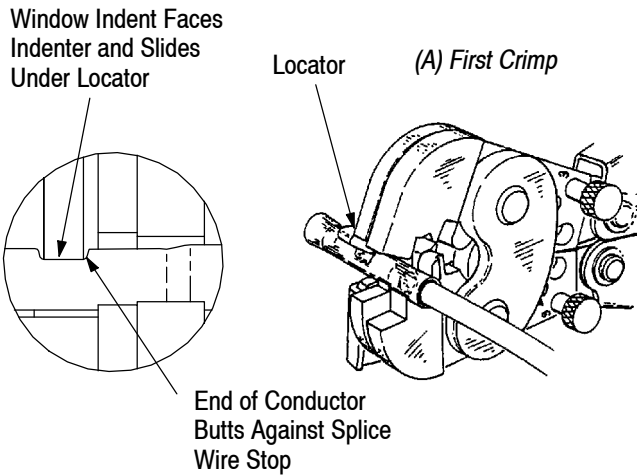


Figure 4

The insulation crimping section of the crimping head has three positions: 1—Tight; 2—Medium; and 3—Loose.

1. Insert insulation adjustment pins in Position 3. See Figure 5.

NOTE Always place both adjustment pins in the same position. See Figure 5.

2. Place terminal or splice in crimping jaws, as shown in Figures 3 and 4.

3. Insert **unstripped** wire **only** into the **insulation barrel** of the terminal or splice. See Figures 3 and 4.

4. Crimp terminal or splice as described in Paragraph 4.1 or 4.2.

5. Remove terminal or splice. Bend wire forward and then backward. The terminal or splice should retain its grip on the wire. If the wire pulls out, reposition the insulation adjustment pins in the next tighter position and repeat crimping procedure.

6. Repeat adjustment as necessary until desired insulation grip is obtained. **DO NOT** use a tighter setting than required.

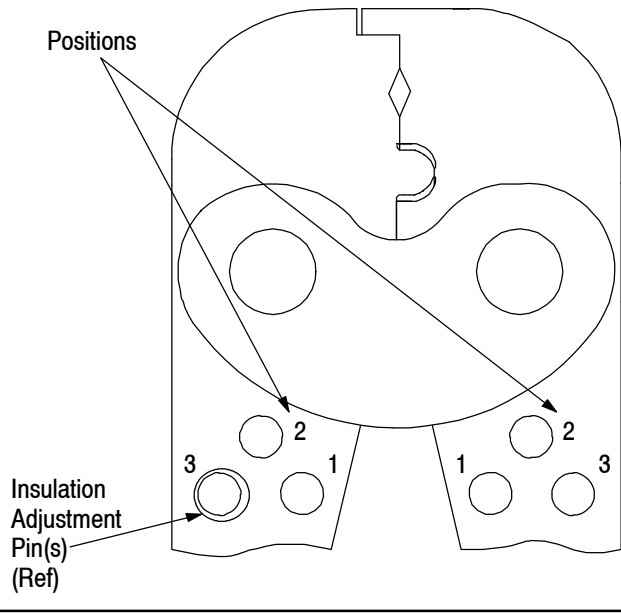


Figure 5

4.3. Insulation Crimp Adjustment

A. PIDG Terminals and Splices

NOTE PIDG terminals and splices contain a wire insulation “grip.”

B. PLASTI-GRIP Terminals

NOTE PLASTI-GRIP terminals contain only a wire insulation “support”.

The insulation crimping section of the crimping head has three positions: 1—Tight; 2—Medium; and 3—Loose.

Position 3 is for wire having a large insulation diameter; Position 2 is for wire having a medium insulation diameter; and Position 1 is for wire having a small insulation diameter.

1. Perform insulation crimp adjustment by placing adjustment pins in Position 3 (loose), as shown in Figure 5.
2. Crimp the terminal as described in Paragraph 4.1, Terminal Crimping Procedure.
3. Remove crimped terminal from crimping jaws and visually inspect the insulation barrel crimp of the terminal. The insulation barrel crimp should be in contact with and should support the wire insulation. If the insulation barrel crimp does not provide “support” for wire insulation, place adjustment pins in Position 2 (medium) and repeat the crimp procedure.
4. Repeat adjustment as necessary until desired insulation support is obtained. DO NOT use a tighter setting than required.

5. CRIMP INSPECTION

Inspect crimped terminals and splices by checking the features described in Figure 6. Use only terminals or splices that meet the conditions shown in the “ACCEPT” column. “REJECT” terminations can be avoided through careful use of instructions in Section 4, and by performing regular head maintenance, as described in Section 6.

6. MAINTENANCE AND INSPECTION



To avoid personal injury, ALWAYS disconnect the battery from the tool before performing maintenance or inspection.

Tyco Electronics recommends that a maintenance and inspection program be performed periodically to ensure dependable and uniform terminations. The crimping head should be inspected once a month. Frequency of inspection should be adjusted to suit your requirements through experience. Frequency of inspection depends on:

1. The care, amount of use, and handling of the crimping head.
2. The type and size of the product crimped.
3. The degree of operator skill.

4. The presence of abnormal amounts of dust and dirt.
5. Your own established standards.

Each crimping head is thoroughly inspected before packaging. Since there is the possibility of crimping head damage during shipment, new crimping heads should be inspected immediately upon arrival at your facility.

6.1. Daily Maintenance

Tyco Electronics recommends that each operator be responsible for the following steps of daily maintenance:

1. Remove dust, moisture, and other contaminants with a clean, soft brush, or a lint-free cloth. Do NOT use objects that could damage the head.
2. Make sure that all pins, rings, and other components are in place and secure.



To avoid personal injury and damage to the tool, make sure quick pins are properly inserted.

3. Make certain all surfaces are protected with a thin coat of any good SAE 20 motor oil. Do NOT oil excessively.
4. When the head assembly is not in use, store it in a clean dry, area.

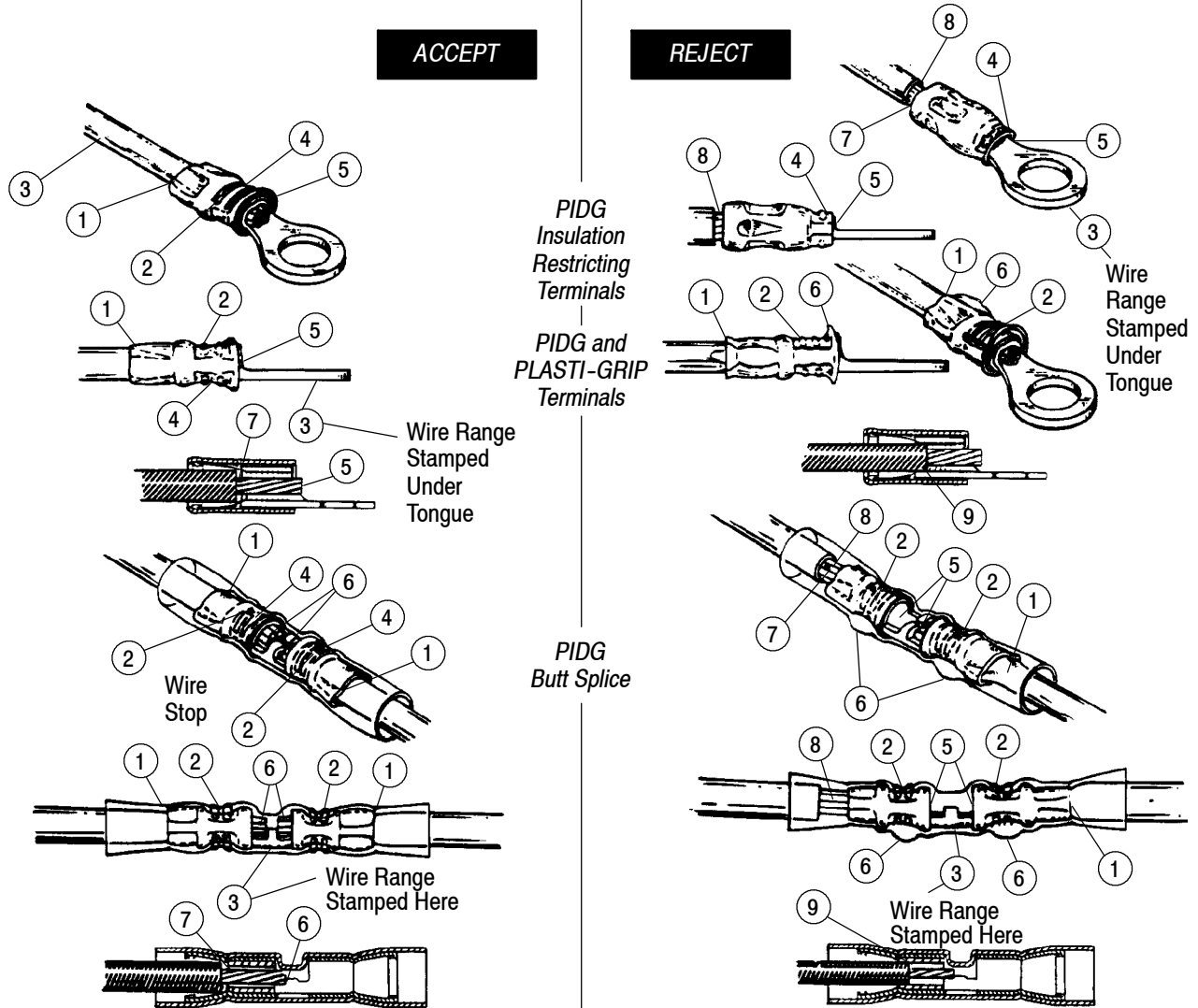
6.2. Periodic Inspection

Regular inspections should be performed by quality control personnel. A record of scheduled inspections should remain with the crimping heads or be supplied to supervisory personnel responsible for the crimping heads. Though recommendations call for at least one inspection a month, the frequency should be based on amount of use, working conditions, operator training and skill, and your established company policies. These inspections should include a visual inspection (Paragraph 6.3) and a crimping chamber inspection (Paragraph 6.5).

6.3. Visual Inspection

1. Remove all lubrication and accumulated film by immersing the crimping head in a suitable commercial degreaser that will not affect paint or plastic.
2. Make certain all components are in place. If replacements are necessary, refer to Figure 9.
3. Check all bearing surfaces for wear.
4. Inspect crimp area for flattened, chipped, or broken areas. Replace worn or damaged parts.

Crimp Inspection



- ① Insulation barrel is in firm contact with wire insulation.
- ② Correct color code, dot code, and tool combination.
- ③ Wire size is within wire range stamped on terminal tongue or splice.
- ④ Crimp centered on wire barrel.
- ⑤ End of conductor is flush with, or extends beyond end of terminal wire barrel.
- ⑥ End of conductor against wire stop of splice.
NOTE: If conductor is not against wire stop, conductor must at least be flush with, or extend slightly beyond wire barrel of splice.
- ⑦ Wire insulation does not enter wire barrel.

- ① Wire insulation extruded. (Insulation crimp too tight on PIDG terminals.) See Paragraph 4.3.
- ② Wrong dot code and color code combination. See chart, Figure 2.
- ③ Wire size is not within wire range stamped on terminal tongue or splice.
- ④ Crimp not centered on wire barrel. (Terminal was not butted against locator. See Figure 3.)
- ⑤ End of conductor is not flush with or extending beyond end of wire barrel. (Check for correct strip length.)
- ⑥ Excessive flash or extruded insulation. (Wrong tool, terminal, or splice combination used, or damaged dies.) See Figure 2.
- ⑦ Nicked or missing conductor strands.
- ⑧ Wire not fully inserted or wrong strip length.
- ⑨ Wire insulation entered wire barrel. Check for correct wire size or strip length.

Figure 6

6.4. Lubrication

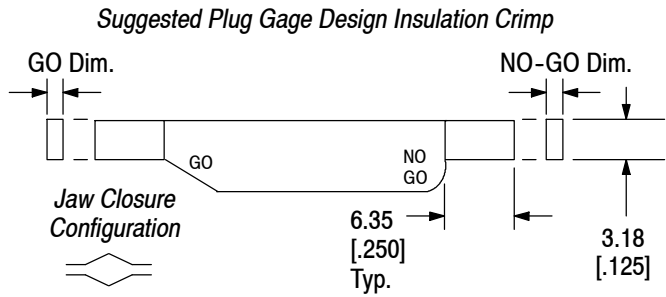
Lubricate all pins, pivot points, and bearing surfaces with a high quality grease. Tyco Electronics recommends the use of Molykote® grease, which is a commercially available lubricant. Lubricate according to the following schedule:

- Head used in daily production – lubricate daily
- Head used daily (occasional) – lubricate weekly
- Head used weekly – lubricate monthly

Wipe excess grease from crimping head, particularly from jaw closure areas. Grease transferred from jaw closure area onto certain terminations may affect the electrical characteristics of an application.

6.5. Gaging the Crimping Chamber

This inspection requires the use of plug gages conforming to the dimensions shown in Figure 7. Tyco Electronics does not manufacture or market these gages.



CRIMPING HEAD	JAW CLOSURE DIMENSIONS	GAGE ELEMENT DIAMETERS	
		GO	NO-GO
1-525690-0	0.889-1.397 [.0350-.0550]	0.889-0.897 [.0350-.0353]	1.394-1.397 [.0549-.0550]
1-47386-0 1-47386-4	0.762-1.270 [.0300-.0500]	0.762-0.770 [.0300-.0303]	1.267-1.270 [.0499-.0500]
1-47387-0 1-47387-7	1.016-1.524 [.0400-.0600]	1.016-1.024 [.0400-.0403]	1.521-1.524 [.0599-.0600]
1-46121-0	0.762-1.270 [.0300-.0500]	0.762-0.770 [.0300-.0303]	1.267-1.270 [.0499-.0500]
1-525691-0	1.143-1.651 [.0450-.0650]	1.143-1.151 [.0450-.0453]	1.648-1.651 [.0649-.0650]

Figure 7 (end)



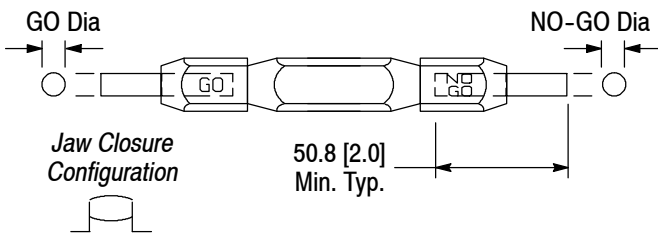
Disconnect the battery and remove crimping head from tool before inspecting crimping chambers.

1. Remove oil and dirt from the jaw bottoming surfaces and plug gage element surfaces.
2. Close wire barrel crimping jaws until they are bottomed, but not under pressure.
3. Align GO element with wire barrel crimping section. Push element straight into crimping chamber without using force. The GO element must pass completely through the chamber as shown in Figure 8A.
4. Align the NO-GO element and try to insert it into the chamber. The element may start entry, but it must not pass completely through the crimping chamber.
5. Repeat this procedure for the insulation crimping section using a plug gage as shown in Figure 8B.

If the crimping chamber passes the gage inspection, the crimping head is considered dimensionally correct and should be lubricated with a THIN coat of any good SAE 20 motor oil. If the crimping chamber does not conform to the plug gage conditions, contact your local Tyco Electronics Field Representative or refer to Section 7, REPLACEMENT AND REPAIR.

For additional information about the use of a plug gage, see Instruction Sheet 408-7424.

Suggested Plug Gage Design Wire Barrel Crimp



CRIMPING HEAD	JAW CLOSURE DIMENSIONS	GAGE ELEMENT DIAMETERS	
		GO	NO-GO
1-47386-0 1-47386-4 1-525690-0	2.769-2.921 [.1090-.1150]	2.769-2.776 [.1090-.1093]	2.918-2.921 [.1149-.1150]
1-47387-0 1-47387-7 1-525691-0	3.023-3.175 [.1190-.1250]	3.023-3.030 [.1190-.1193]	3.172-3.175 [.1249-.1250]
1-46121-0	1.600-1.752 [.0630-.0690]	1.600-1.608 [.0630-.0633]	1.750-1.752 [.0689-.0690]

Figure 7 (cont'd)

•Molykote is a trademark.

7. REPLACEMENT AND REPAIR

Replacement parts and recommended spares are listed in Figure 9. The recommended spares should be stocked for immediate replacement.

Order replacement parts through your Tyco Electronics Representative, or call 1-800-526-5142, or send a facsimile of your purchase order to 1-717-986-7605, or write to:

CUSTOMER SERVICE (38-35)
 TYCO ELECTRONICS CORPORATION
 P.O. BOX 3608
 HARRISBURG, PA 17105-3608

For further repair and replacement information, call the Tyco Electronics Tooling Assistance Center at the number at the bottom of page 1.

8. REVISION SUMMARY

- Updated document to corporate requirements

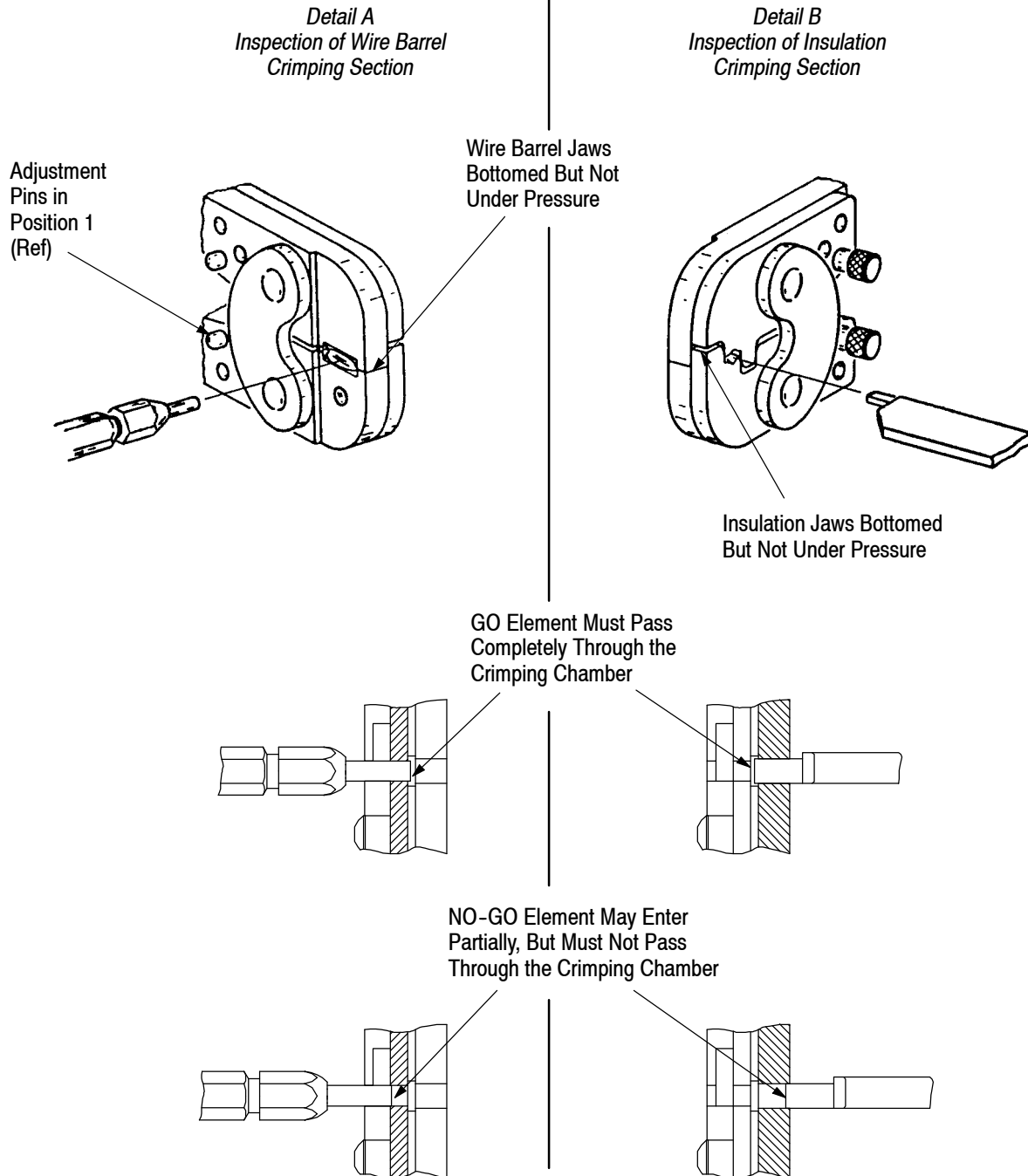
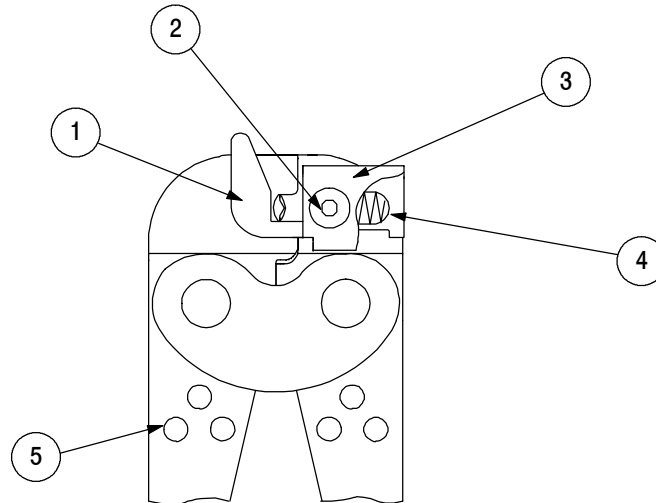


Figure 8



CUSTOMER REPLACEMENT PARTS

ITEM NO.	PART NUMBER FOR CRIMPING HEAD				DESCRIPTION	QTY PER HEAD
	1-47387-0	1-47386-0	1-46121-0	1-47386-4 1-47387-7 1-525690-0 1-525691-0		
1	45965-6	302993	3-304052-6	525355-8	LOCATOR	1
2	9-305927-1	9-305927-1	3-306105-9	9-305927-1	SCREW, 8-32 x 8.38 [.330]	1
3	302994	302994	302994	302994-1	HOUSING, Stop	1
4	301201	301201	301201	301201	SPRING, Compression	1
5	39207	39207	39207	39207	PIN, Adjustment	2

Figure 9