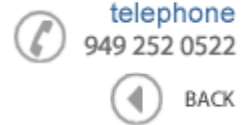


**Data Sheet**

Product Category: Ceramic Resonator

Series Number	Package	Description	Last Modified
674 ~ 675	ZTACV / ZTTCV Ceramic	SMD Resonator	Jan. 01 2007

FEATURES

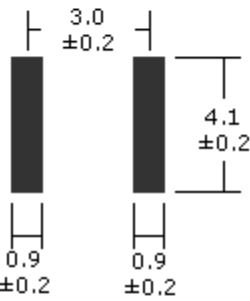
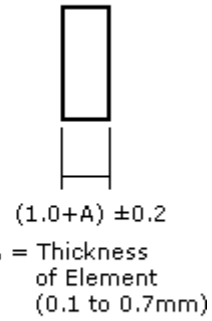
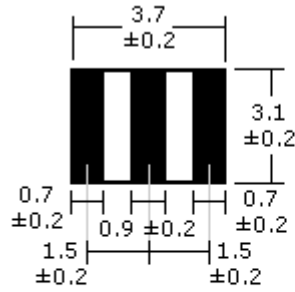
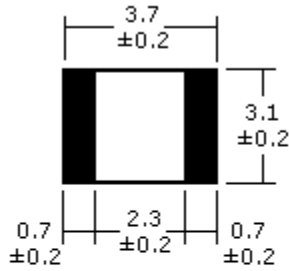
- Extended temperature range
- High stability
- Small package SMD Ceramic Resonator
- RoHs Compliant

**OPERATING CONDITIONS / ELECTRICAL CHARACTERISTICS**

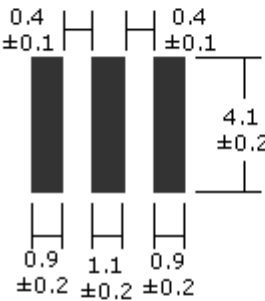
Series No.	Type	Fig	Frequency Range*	Frequency Accuracy	Stability in Temperature	Aging for Ten Years
			(MHz)	@ 25° (MHz)	-20° ~ +80°C	-
674	ZTACV	1	8.0 ~ 13.0	±0.5%	±0.4%	±0.3%
			16.0 ~ 60.0		±0.3%	
675	ZTTCV	2	8.0 ~ 13.0		±0.4%	
			16.0 ~ 60.0		±0.3%	

*Higher Freq. Avail. Contact Oscilent for assistance.

PACKAGE DIMENSIONS (mm)



Recommended Land Pattern



Recommended Land Pattern

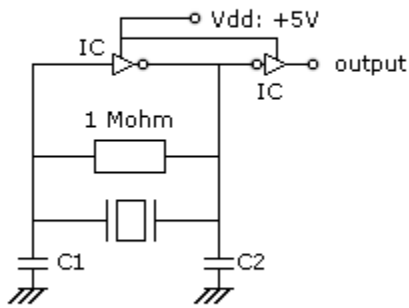


Figure 1) ZTACV

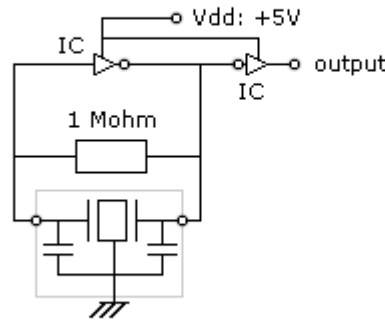


Figure 2) ZTTCV

Test Circuit IC

Freq. 8.0 ~ 13.0 MHz: IC: 1/6TC4069UBPx2
 16.0 ~ 60.0 MHz: IC: 1/6TC74HCU04x2

VALUES OF C1 & C2

Frequency Range (MHz)	C1 (pF)	C2 (pF)
8.00 ~ 13.00	30	30
16.00 ~ 20.00	30	30
20.01 ~ 25.99	15	15
26.00 ~ 60.00	5	5

PART NUMBER GUIDE

Part Number	Frequency	Load Capacitance	Frequency Accuracy (%)	Operating Temp (°C)	Packaging**
675	- 10.5M	- 33	- 03	W	
674 = ZTACV 675 = ZTTCV	e.g. -12.0M = 12.00 MHz Std. Range = 7.0 ~ 13 MHz and 16.0 ~ 60.0 Higher Freq. Avail. Contact Oscilent for assistance.	Blank* = Standard as shown in above Table or Fill in the blank e.g 33 = 33pF	Blank* = ±0.5% -03 = ±0.3%	Blank* = -20 ~ +80 -N = -40 ~ +85 -W = -40 ~ +125	Blank* = Bulk -TR = Tape/ Reel

NOTE: Deviations on all parameters available. Please consult Oscilent for details.

DEFINITIONS: Click on the characteristic names above, for definitions of the particular characteristic.

***STANDARDS:** "Blank" part number selections, indicate standard variables for the particular characteristic.

****PACKAGING:** Click on the packaging name above for Tape/Reel specifications

Oscilent Corporation - CALL **949.252.0522**

Series No.: [674 to 675](#)

18195 East McDermott Street . Building D . Irvine . CA 92614 . USA

Fax: 949.252.0599 . E-Mail: Sales@Oscilent.com

[Crystal Oscillators](#) | [Quartz Crystal](#) | [TCXO](#) | [VCXO](#) | [IF SAW Filter](#) | [RF SAW Filter](#) | [Ceramic Resonator](#)
[Crystal Filter](#) | [Ceramic Filter](#) | [SAW Filter / SAW Devices](#) | [Site Map](#)