

TPC-1750H

17" SXGA TFT LED LCD Intel® Atom™ Thin Client Terminals



Features

- Industrial 17" SXGA TFT LCD with 50K Lifetime LED Backlight
- Intel Atom N270 1.6GHz Ultra Low Voltage processor
- Compact Fanless Embedded System & Energy Star approved
- Low-power and Economical panel pc with sufficient I/O connectors
- IP65 Approved Front Protection & Panel Mounting
- More Durable 5-wire Resistive Touch Screen
- Al Alloy Front Bezel and Steel rear cover
- Support Windows, Linux and Android
- Data Storage can be expanded by optional SATA HDD kit
- Support VESA, Desktop and Wall Mounting by optional mounting kit

Introduction

TPC-1750H touch panel computer with a 17" SVGA LCD, low power embedded Intel Atom N270 1.6GHz processor and 2GB DDR2 SDRAM targets at low-power, essential and economical requirements. The compact fanless design still provide the sufficient I/O connectors. Except for Compact Flash storage, data storage of TPC-1750H can be expanded by optional SATA HDD kit. To enhance its durability, TPC-1750H is designed with IP65 front protection, die-cast Al Alloy front bezel and 5-wire resistive touch. The requirement of VESA, Wall mounting or Desktop mounting can be fulfilled by the optional mounting kit.

Specifications

General

- **BIOS** Award® 4Mbit
- **Certification** BSMI, CCC, CE, FCC Class A, UL
- **Cooling System** Fanless design
- **Dimensions (W x H x D)** 413.7 x 347.2 x 63.8 (16.29" x 13.67" x 2.51")
- **Enclosure** Front bezel: Die-cast aluminum alloy
Back housing: SECC
- **Mounting** Desktop, Wall or Panel Mount
- **OS Support** Microsoft® Windows® 7/XPE/WES
Windows CE 5.0/6.0 with Java Script
Linux with Firefox explorer and Java Script plugin
- **Power Consumption** 43W (typical)
- **Power Input** 18 ~ 32 V_{dc}
- **Watchdog Timer** 1 ~ 255 sec (system)
- **Weight (Net)** 3.5 kg (7.71 lb)

System Hardware

- **CPU** Intel® Atom™ N270 1.6 GHz
- **Chipset** Intel® 945GSE+ICH7M
- **Memory** 2GB SO-DIMM DDR2 667 SDRAM
- **LAN** 10/100/1000Base-T x 2
- **Storage** CFast slot x 1
Optional, external 2.5" SATA HDD kit
- **I/O** RS-232 x1, RS-232/422/485 x 1
USB 2.0 x 2 (Host)

LCD Display

- **Display Type** SXGA TFT LED LCD
- **Display Size** 17"
- **Max. Resolution** 1280 x 1024
- **Max. Colors** 262 K
- **Luminance cd/m²** 350
- **Viewing Angle (H/V°)** 170/160
- **Backlight Life** 50,000 hrs
- **Contrast Ratio** 1000:1

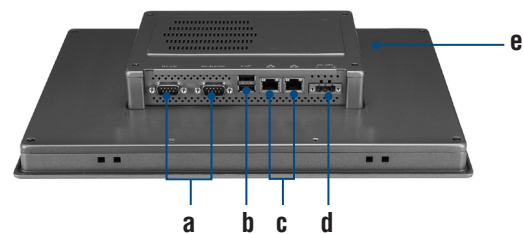
Touchscreen

- **Lifespan** 10 million touches at single point
- **Light Transmission** Above 75%
- **Resolution** Linearity
- **Type** 5-wire, analog resistive

Environment

- **Humidity** 10 ~ 95% RH @ 40°C, non-condensing
- **Ingress Protection** Front panel: IP65
- **Operating Temperature** 0 ~ 55°C (32 ~ 131°F)
- **Storage Temperature** -20 ~ 60°C (-4 ~ 140°F)
- **Vibration Protection** 2 Grms (5 ~ 500 Hz)
(Operating, random vibration)

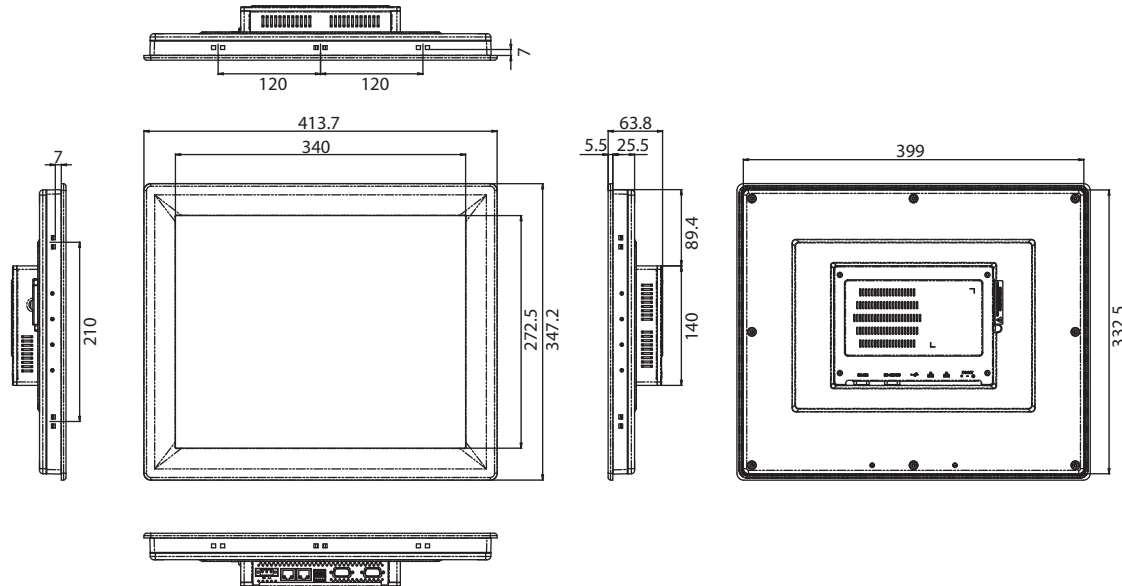
Rear View



- a. COM (RS-232, RS-422/485)
- b. USB 2.0
- c. LAN (10/100/1000)
- d. Power Receptor
- e. CFast

Dimensions

Unit: mm



Panel Cut-out Dimensions: TPC-1750H: 400.8 x 334.3 mm (15.78" x 13.16")

Ordering Information

- **TPC-1750H-N2BE** 17" SXGA, Touch Panel PC, Atom™ N270 1.6GHz, 2GB
- **WA-TPC1750** TPC-1750H-N2BE with WebAccess software





Accessories

- **PWR-247-BE** 63W DC 24V/2.62A Output Power Supply
- **TPC-651H-EHKE** HDD extension kit
- **1702002600** Power Cable US Plug 1.8 M
- **1702002605** Power Cable EU Plug 1.8 M
- **1702031801** Power Cable UK Plug 1.8 M
- **170000596** Power Cable China/Australia Plug 1.8 M
- **TPC-1000H-WMKE** TPC VESA Mounting Kit from 10" to 17" TPC
- **TPC-1000H-SMKE** TPC Stand kit from 10" to 17" TPC

Automation Software

- **968WEXP003X** PanelExpress V2.0 300 tags S/W license
- **968WEXP015X** PanelExpress V2.0 1500 tags S/W license
- **968WEXP050X** PanelExpress V2.0 5000 tags S/W license
- **968WEXP2USB** PanelExpress V2.0 S/W USB dongle

Application Software

	<p>Version : V2.1 or above</p> <p>An innovative remote device management software, allowing efficient remote monitoring, quick recovery & backup, and real-time remote configuration, to create a more intelligent and interconnected embedded computing solution.</p>
	<p>Version : V7.1 or above</p> <p>WebAccess, as the core of Advantech's IoT solution, is full web browser-based software package for HMI and SCADA software. All HMI and SCADA software features including: Animated Graphics Displays, Real-time Data, Control, Trends, Alarms and Logs, are available in a standard web browser. WebAccess is built around the latest internet technologies. With its open architecture, vertical domain applications can easily be integrated.</p>
	<p>Version : V2.0.3.8 or above</p> <p>Panel Express, a windows based HMI mini SCADA, realizes the cross platform flexibility offered by WebOP Designer to switch hardware for the consideration of cost and performance become an easy job. Panel Express software provides the best economic and express solution for data intensive high-end HMI applications.</p>
	<p>Version : V2.0.3.8 or above</p> <p>An easy to use integrated development tool featuring solution-oriented screen objects, high-end graphics, Windows fonts for multi-language applications. WebOP runtime, a part of WebOP Designer, guarantees reliability and performance because of the minimum system overhead, high communication data rates, and sub-second screen switching.</p>