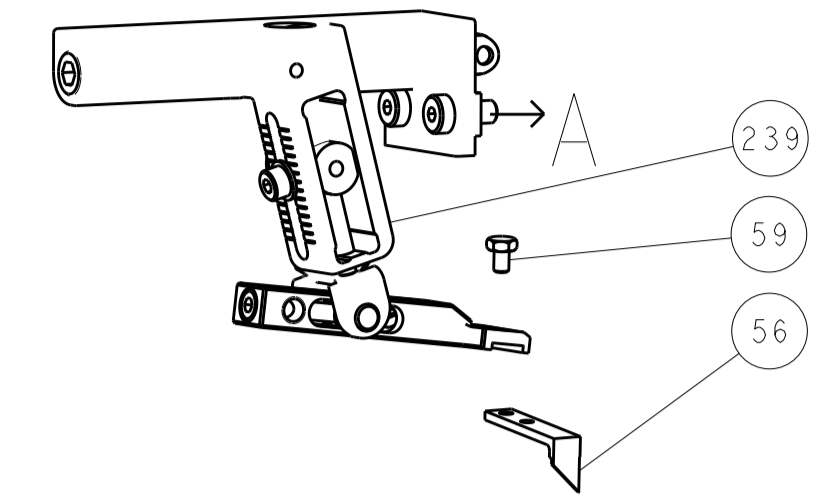


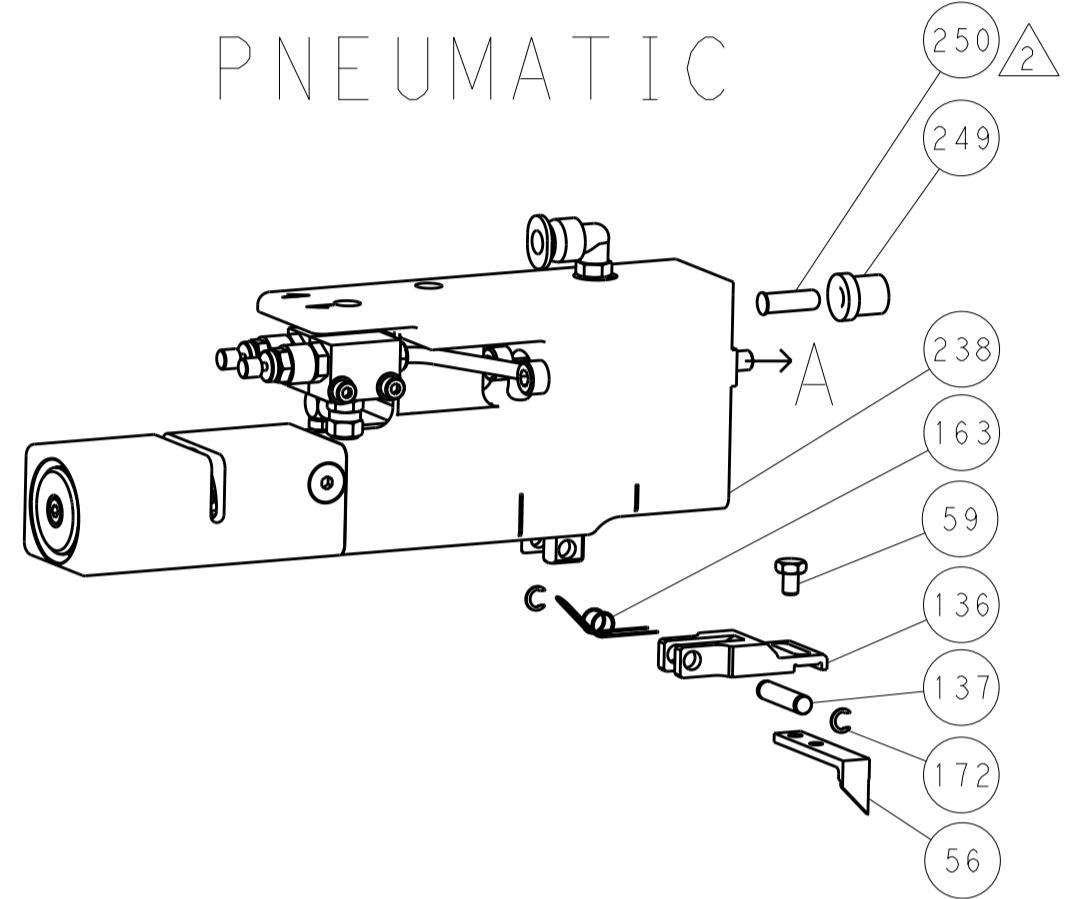


LOC		DIST		REVISIONS			
A	66	P	LTM	DESCRIPTION	DATE	DWN	APVD
		-	-	SEE SHEET 1	-	-	-

### FEED TYPE MECHANICAL



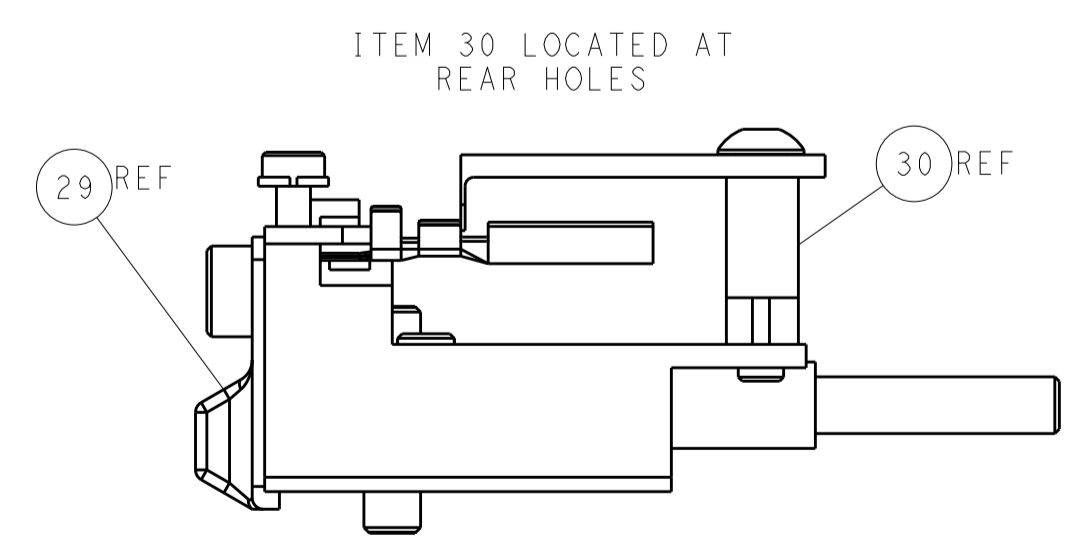
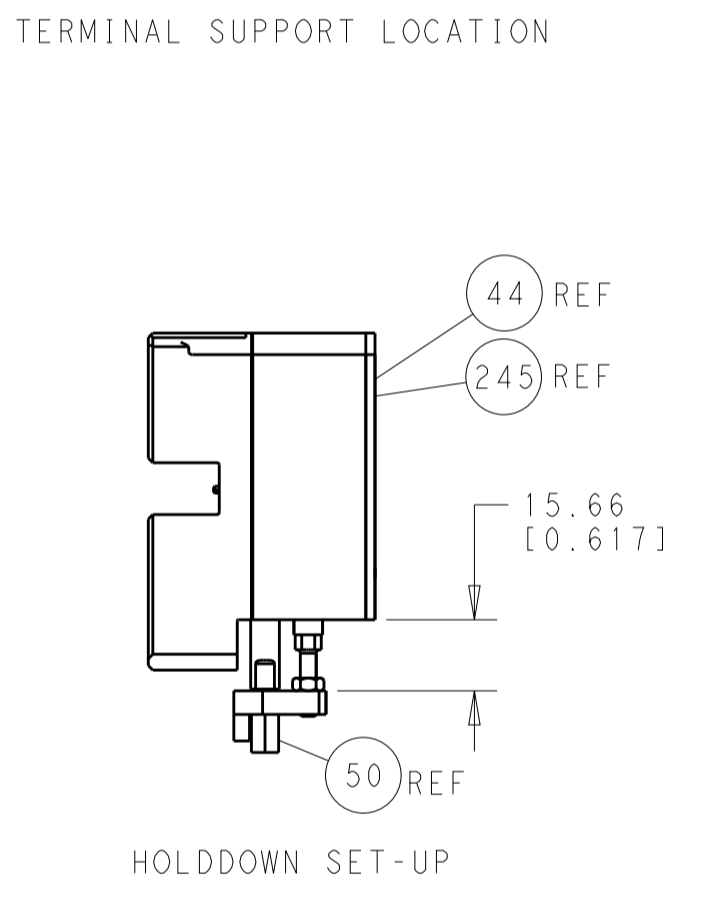
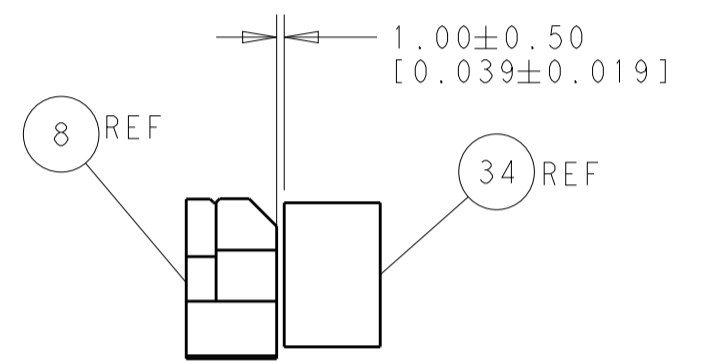
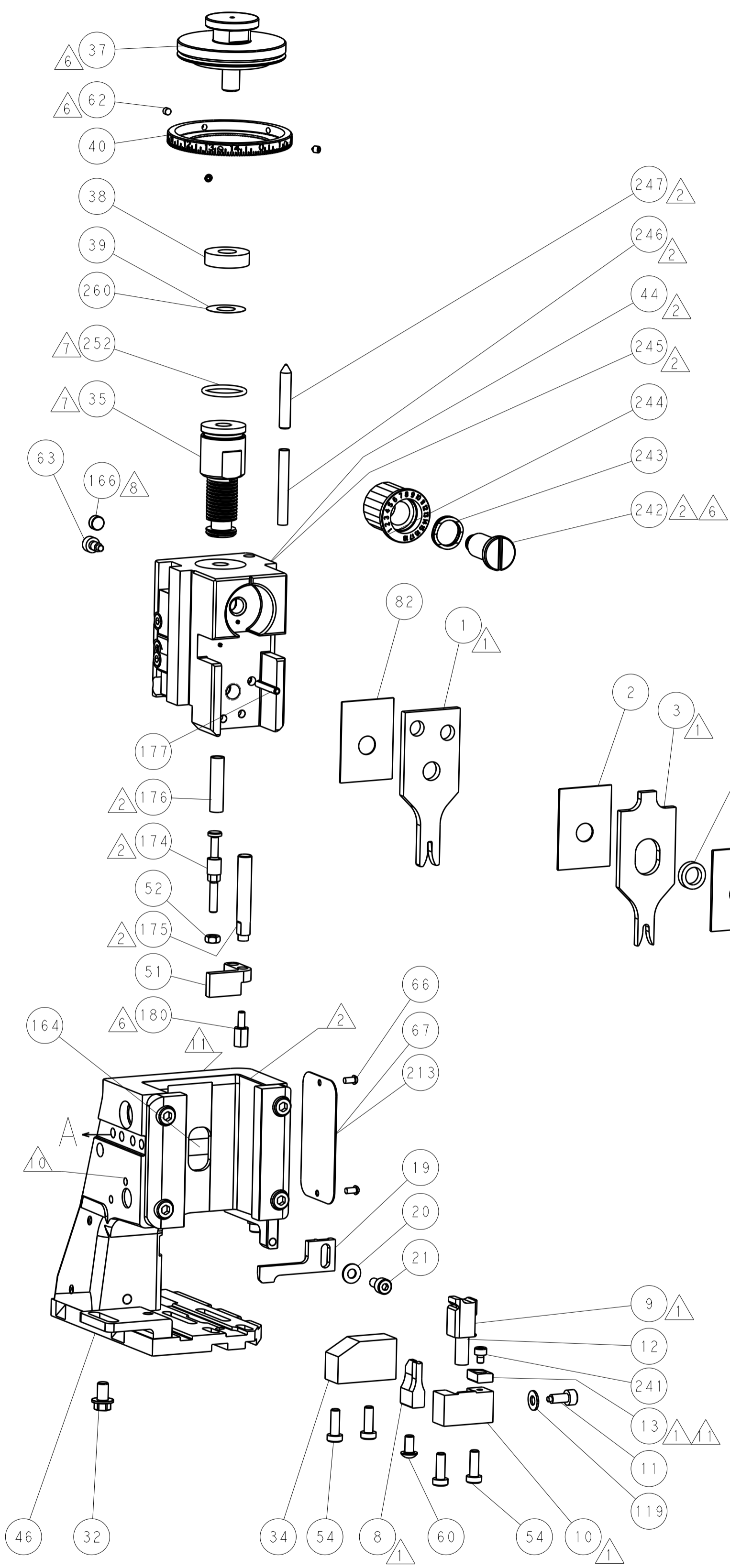
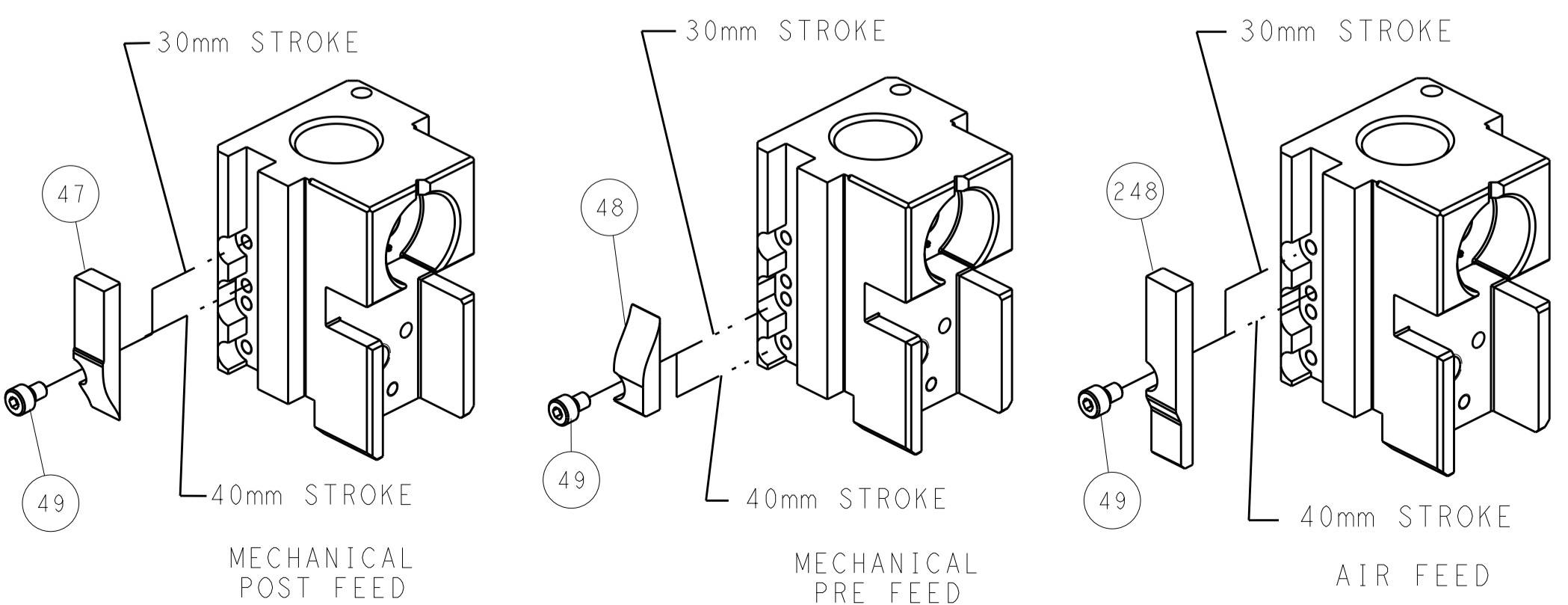
### PNEUMATIC



### SERVO LATCH PLATE



### CAM POSITIONS



**ATLANTIC VERSION**  
 Shown on sheets 1 of 4 & 2 of 4  
 (Pacific version shown on sheets 3 of 4 & 4 of 4)

DIMENSIONS: mm 		TOLERANCES UNLESS OTHERWISE SPECIFIED: 0 PLC ±.1 1 PLC ±0.1 2 PLC ±0.02 3 PLC ±0.005 4 PLC ±0.0005 ANGLES ±.1		DWN L. ZHANG 22NOV2012 CHK L. ZHANG 22NOV2012 APVD S. XI 22NOV2012		NAME Ocean Side Feed Applicator	
MATERIAL:		FINISH:		WEIGHT:		SIZE: A1 CAGE CODE: 00779 DRAWING NO: C=2151826	
CUSTOMER ACCESSIBLE PRODUCTION DRAWING				SCALE: 1:1		SHEET 2 OF 4 REV A	

COPYRIGHT 20 BY TYCO ELECTRONICS CORPORATION. ALL RIGHTS RESERVED.

APPLICATOR STYLE CONVERSION CHART. Table with columns: PART NUMBER, REVISION, DESCRIPTION, FEED TYPE, CONVERT TO, PART NUMBERS REQUIRED.

APPLICATOR DATA. Table with columns: CRIMP, SIZE, TYPE. Includes APPLICATOR INSTRUCTIONS 408-10389.

TERMINAL DATA: DELPHI TERMINAL TE CRIMP SPECIFICATION. Table with columns: WIRE STRIP LENGTH, INSULATION DIAMETER RANGE, TERMINAL APPLICATION SPECIFICATION.

WIRE SIZE, CRIMP HEIGHT mm [INCH], CRIMP HEIGHT REFERENCE SETTING. Table with 3 columns.



- RECOMMENDED SPARE PARTS
GREASE BEARING SURFACES LIGHTLY
LUBRICATE DAILY PER THE APPLICATOR INSTRUCTION SHEET SUPPLIED WITH THE APPLICATOR.
APPLICATOR SPECIFIC DATA TO BE ENTERED INTO BLANK MEMORY CHIP AT ASSEMBLY...

\*WARNING ON INSTALLATION, SET WIRE DISC, ITEM 40 TO LARGEST WIRE SIZE SETTING. USE OF SETTINGS BELOW MINIMUM REQUIRED CRIMP HEIGHT SETTING WILL CAUSE DAMAGE TO CRIMP TOOLING.

Table with columns: PART NO, DESCRIPTION, ITEM NO. Rows include FINE ADJUST HEAD ASM, PUSH ROD, BUSHING.

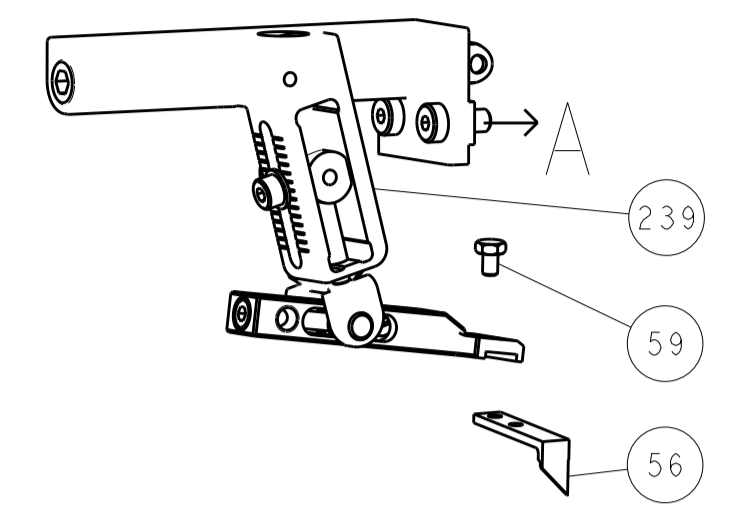
PACIFIC VERSION Shown on sheets 3 of 4 & 4 of 4 (Atlantic version shown on sheets 1 of 4 & 2 of 4)

Large table with columns: QTY, LTM, DESCRIPTION, DATE, DWN, APVD. Lists various components like SPRING, CAM, WASHER, SCR, and their specifications.

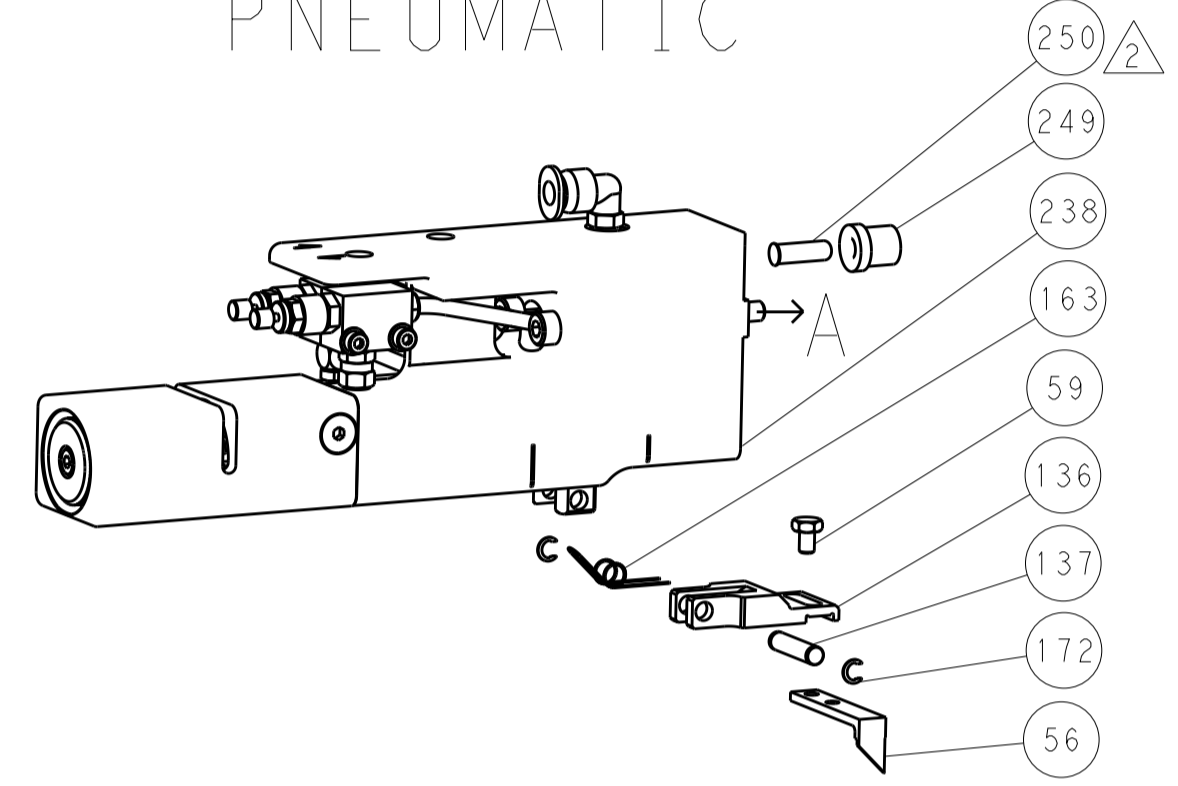
Technical drawing header/footer including DIMENSIONS, TOLERANCES, MATERIAL, FINISH, and product information for Ocean Side Feed Applicator.

LOC		DIST		REVISIONS			
A	66	P	LTM	DESCRIPTION	DATE	OWN	APVD
		-		SEE SHEET 1			

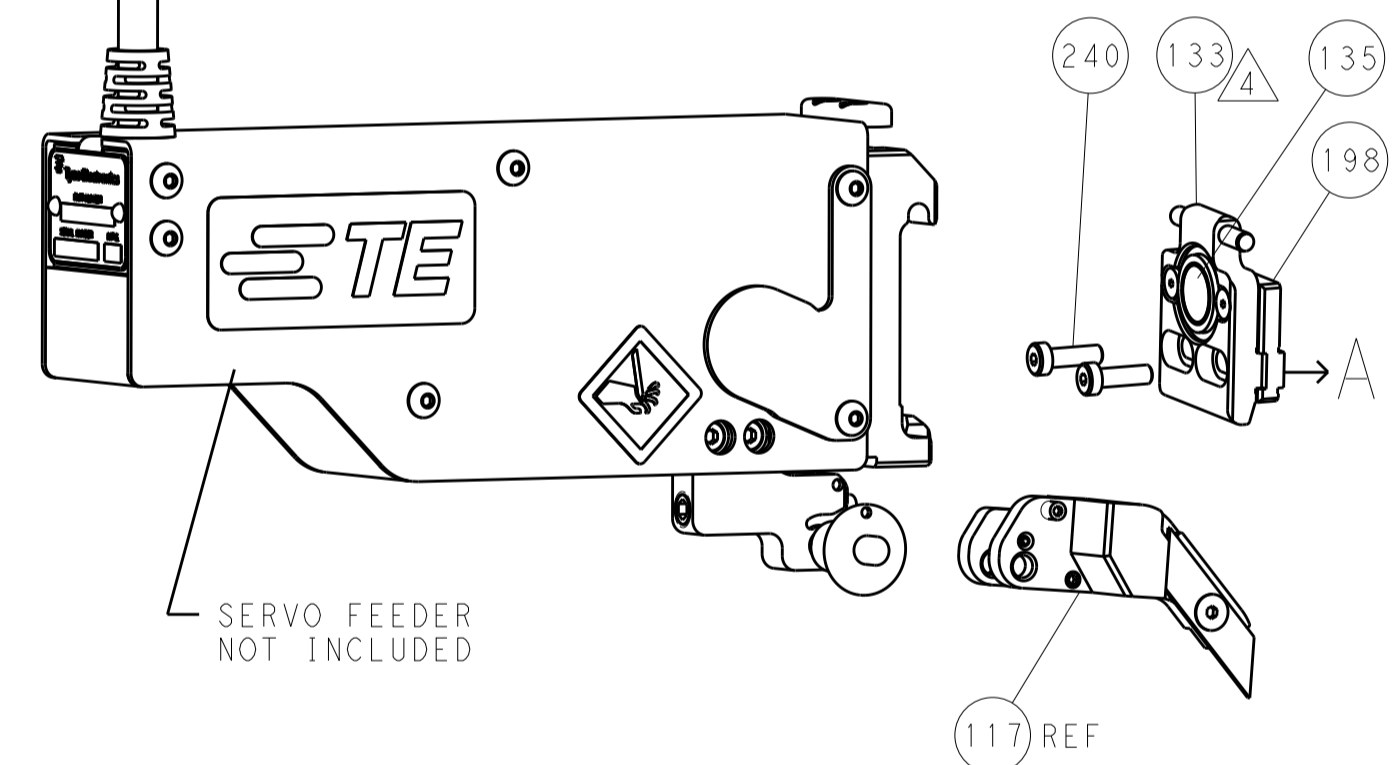
# FEED TYPE MECHANICAL



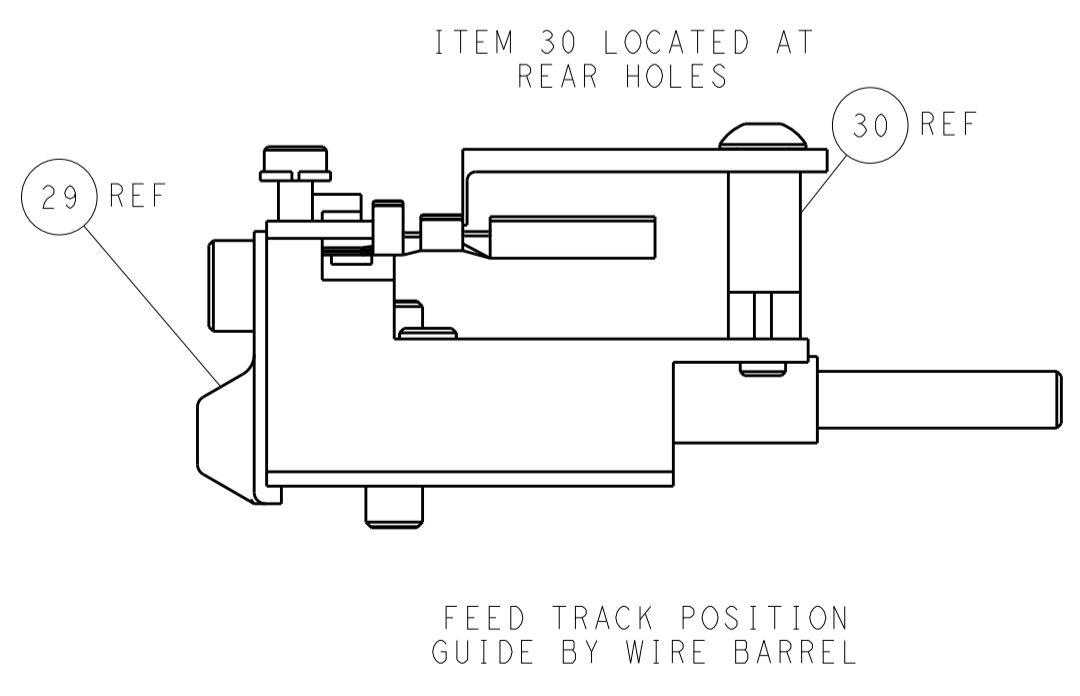
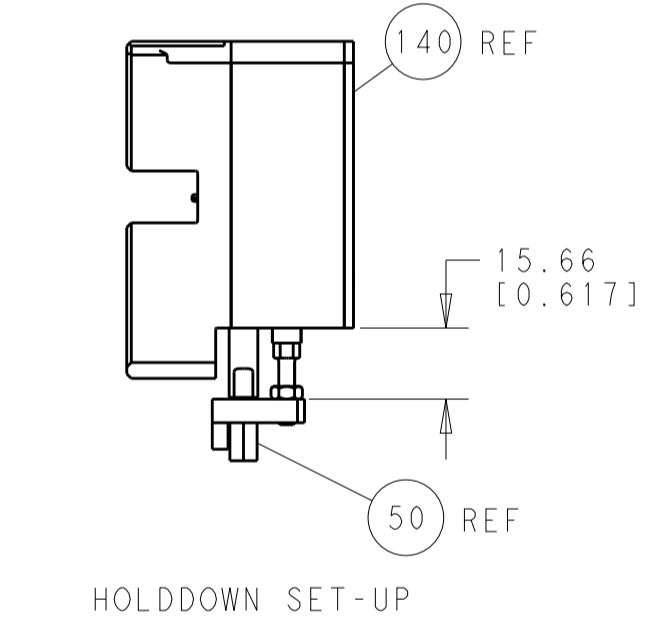
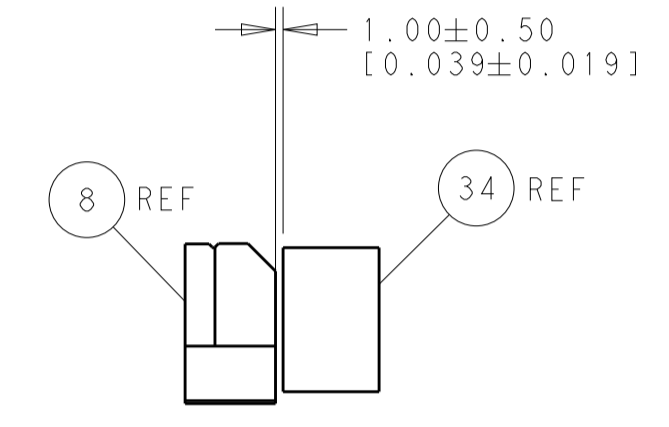
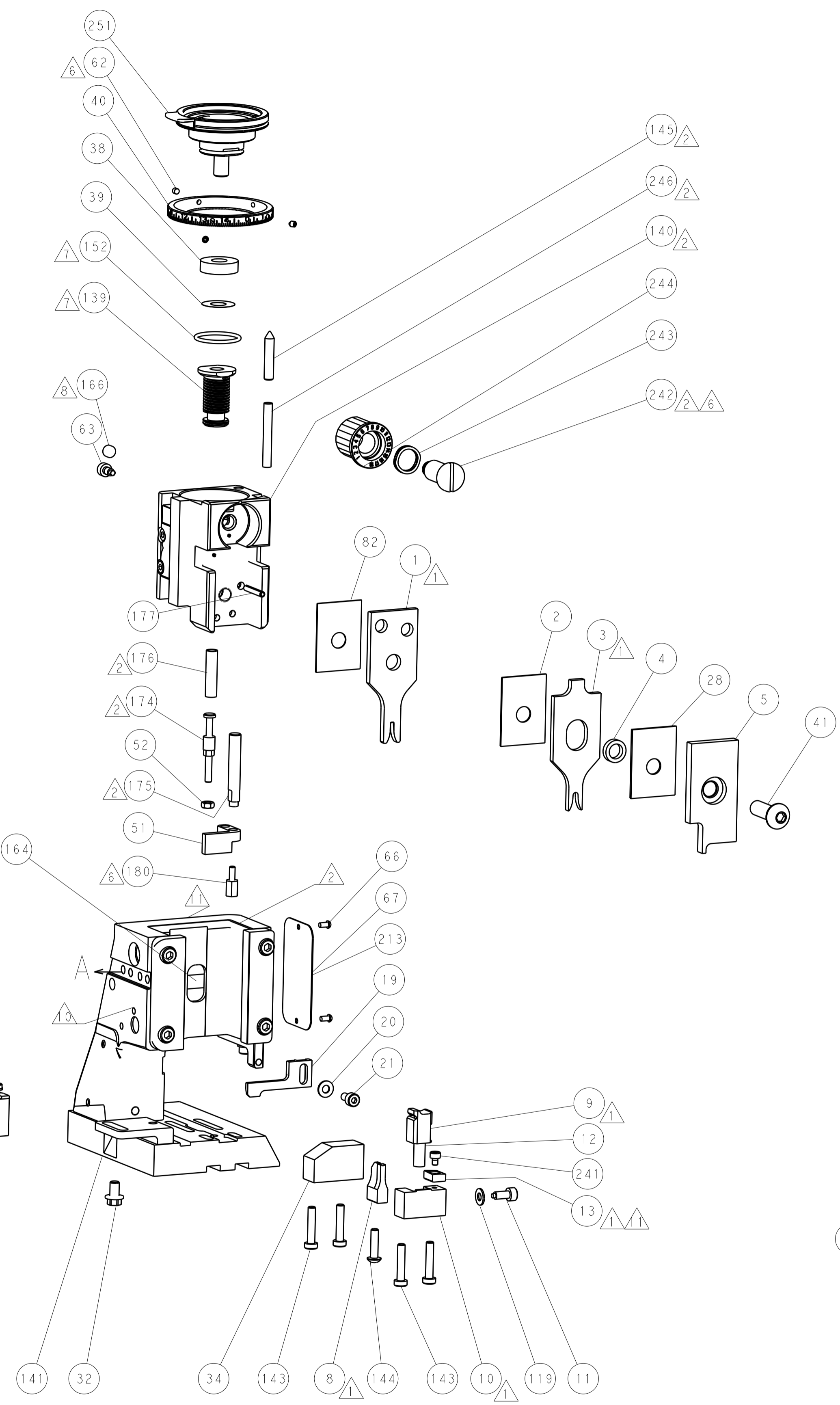
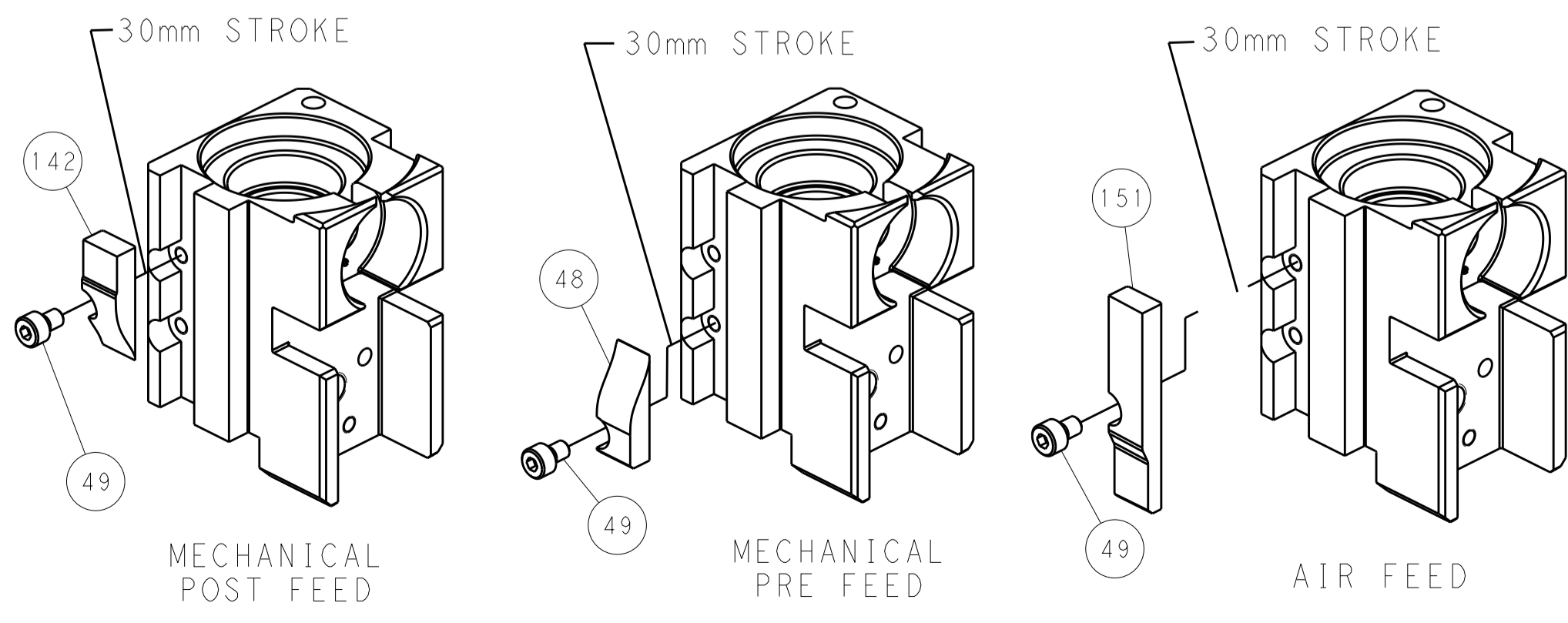
# PNEUMATIC



# SERVO LATCH PLATE



# CAM POSITIONS



**PACIFIC VERSION**  
 Shown on sheets 3 of 4 & 4 of 4  
 (Atlantic version shown on sheets 1 of 4 & 2 of 4)

DIMENSIONS:		TOLERANCES UNLESS OTHERWISE SPECIFIED:		DWN L. ZHANG 22NOV2012		TE Connectivity	
mm	0 PLC ±0.1	1 PLC ±0.1	2 PLC ±0.02	3 PLC ±0.005	4 PLC ±0.0005	ANGLES ±	CHK L. ZHANG 22NOV2012
MATERIAL:	FINISH:	WEIGHT:	SCALE:	SIZE:	CAGE CODE:	DRAWING NO:	RESTRICTED TO:
			1:1	A1	00779	©=2151826	
CUSTOMER ACCESSIBLE PRODUCTION DRAWING				SHEET 4 OF 4 REV A			