

- Designed to comply with the requirements of GR1089, UL1950, EN60950, BABT and CSA950 to provide a supplementary insulation barrier with a working voltage of 250V
- Minimum interwinding breakdown voltage of 1500 Vrms
- Operating and storage temperature range: -40° to +85° C
- Meets IEC 695, 2-2 flammability requirements
- PWB Process Capability: standard printed wiring board assembly techniques, total-immersion cleaning
- Reliability testing: shock, vibration, temperature cycling, temperature - humidity - bias

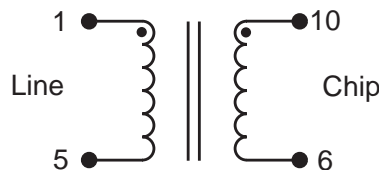
ELECTRICAL SPECIFICATIONS AT 25° C

| Part Number | Turns Ratio ±2% | Inductance ¹ mH ±10% | Leakage Inductance µH max | Direct Capacitance pF max | DCR Ω max | |
|--------------|--------------------|------------------------------------|---------------------------------|---------------------------------|-----------------|-----------|
| | Chip : Line | Line Side | Line Side | Line : Chip | Chip Side | Line Side |
| 0560-6600-78 | 1 : 1.8 | 1.40 | 10 | 75 | 1.8 | 2.8 |

1. Inductance measured at 10 kHz, 0.1 Vac

SCHEMATIC

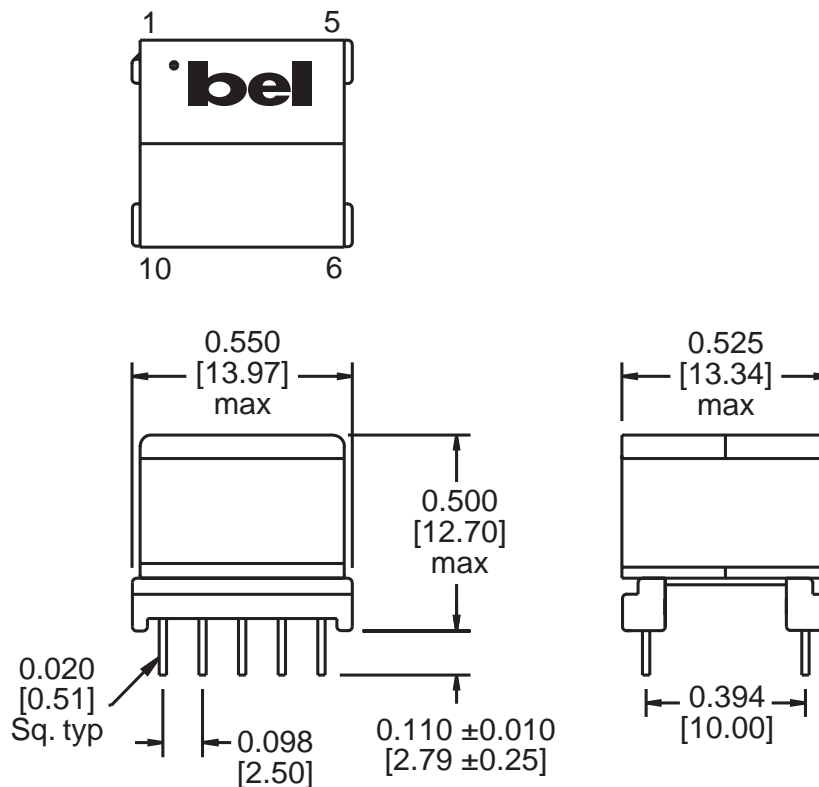
0560-6600-78



TM01372

MECHANICAL

0560-6600-78



Dimensions are in inches [millimeters].
Standard dimension tolerance is ± 0.005 [0.13] unless otherwise noted.

©2001 Bel Fuse Inc. Specifications subject to change without notice. 09.01

CORPORATE

Bel Fuse Inc.
206 Van Vorst Street
Jersey City, NJ 07302
Tel 201-432-0463
Fax 201-432-9542
www.belfuse.com

FAR EAST

Bel Fuse Ltd.
8F / 8 Luk Hop Street
San Po Kong
Kowloon, Hong Kong
Tel 852-2328-5515
Fax 852-2352-3706
www.belfuse.com

EUROPE

Bel Fuse Europe Ltd.
Preston Technology Management Centre
Marsh Lane, Suite G7, Preston
Lancashire, PR1 8UD, U.K.
Tel 44-1772-556601
Fax 44-1772-888366
www.belfuse.com