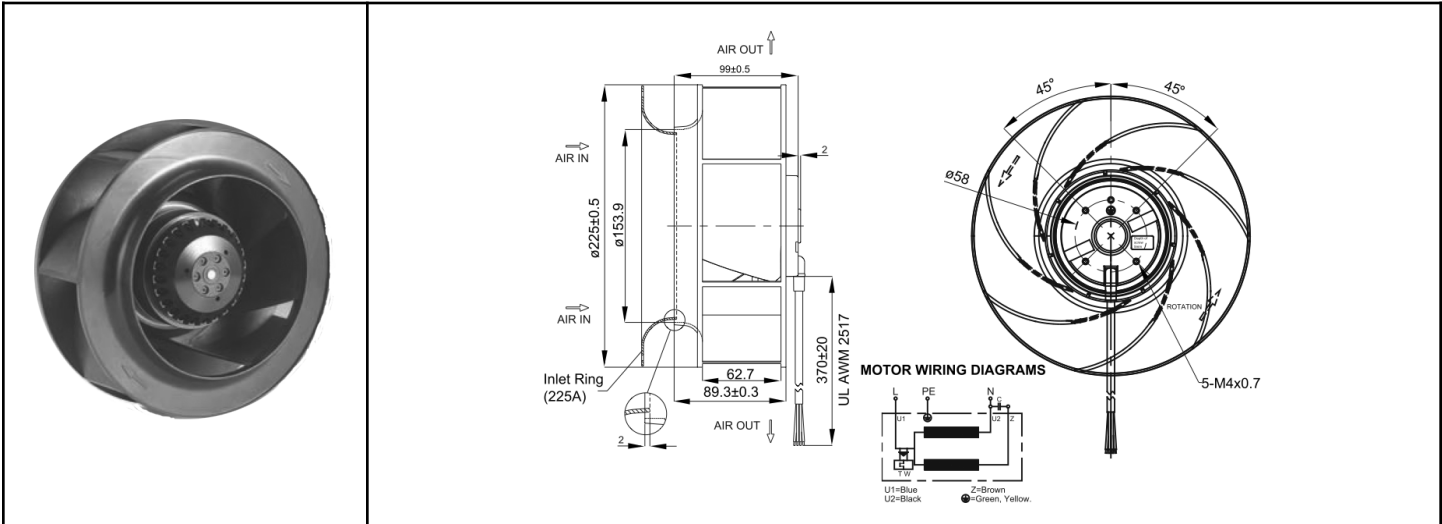


# OAB225 Series



AC Blower, ball bearing  
225x99 (8.86"x 3.9")



<b>Backwards Curved Impeller</b>		<u>Insulation Housing:</u> AC1500V / 1 minute  <u>Insulation Resistance:</u> > 100 M ohms DC500V  <u>Operating Temperature</u> 0 C ~ +45C  <u>Life Expectancy</u> 30,000 hours (L10, 40C) Ball bearing  Optional Duct Ring - DR225A	
<b>Frame &amp; Impeller</b>	Aluminum alloy		
<b>Connection</b>	Lead Wires		
<b>Motor</b>	AC Capacitor drive 16/250mF (115V) 4/450mF (230V)		
<b>Bearing System</b>	Dual Ball		

Part Number	OAB22599-11-1B	OAB22599-22-1B
Nominal Voltage	115 VAC (50/60 Hz)	230 VAC (50/60 Hz)
Nominal Current (Amps)	1.16 / 1.41	0.57 / 0.70
Locked Current (Amps)	2.22 / 2.30	1.14 / 1.15
Rated Power	128 / 160 W	126 / 157 W
Rated Speed (RPM)	2650 / 2950	2650 / 2950
Airflow (CFM)	700 / 770	700 / 770
Noise Level (dB)	69 / 71	69 / 71
Max. Static Pressure	2.0 / 2.6 inchAq	2.0 / 2.6 inchAq