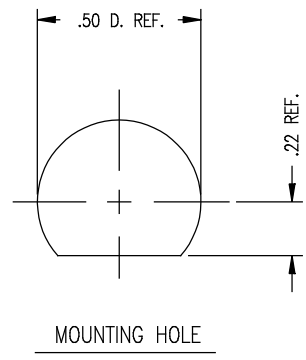
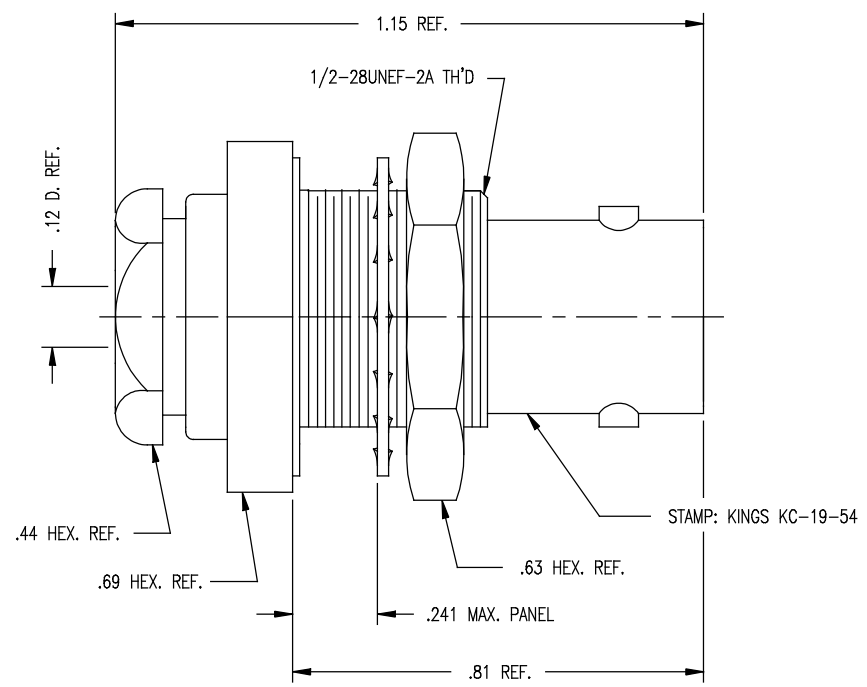


DASH NO.	M CODE	MADE FROM
----------	--------	-----------

GSD

REVISIONS	
ISSUE	CHANGES
9	CN 33094 C REDRAWN WJM 06/07/91
10	CN 33326 A WJM 09/18/91

KC-19-54



NOTES:

- FOR USE WITH RG-174, 179, 187, 188 CABLES.
- FOR CABLING INSTRUCTIONS SEE CP-1004.1
- INTERFACE PER MIL-STD-348, FIG. 301-2.
- MATERIALS:
INSULATORS: TEFLON, ASTM-D-1457
LOCKWASHER: PHOSPHOR BRONZE, QQ-B-750
GASKETS: SILICONE RUBBER, ZZ-R-765
CENTER CONTACT: BER. COPPER, ASTM-B-196
ALL OTHER METAL PARTS: BRASS, ASTM-B16
- FINISHES:
CENTER CONTACT: HARD GOLD PLATE, PER MIL-G-45204
ALL OTHER METAL PARTS: SILVER PLATE, QQ-S-365
- ELECTRICAL CHARACTERISTICS:
NOMINAL IMPEDANCE: 50 OHMS
WORKING VOLTAGE: 500 VRMS
FREQUENCY RANGE: DC TO 4 GHZ.

WJM1124

SCALE 4:1	
APPROX SURFACE AREA	
NAVORD 2831451	
USED ON	
REF:	
JACK, BULKHEAD, BNC	
DRAWN WJM	DATE 06/10/91
DESIGN LI	DATE 06/11/91
APPR.	DATE

GSD

KINGS
ELECTRONICS CO., INC.
TUCKAHOE, NEW YORK 10707

KC-19-54