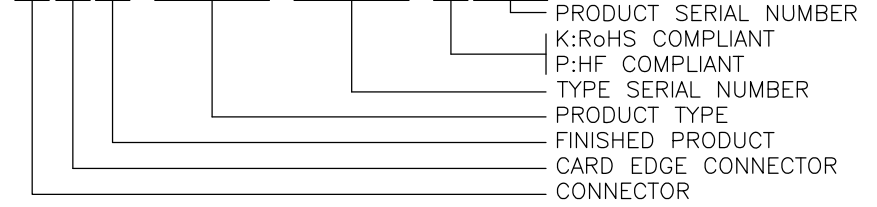


REV.	ECN NO./DESCRIPTION	DATE
1	N120423	11/02'12

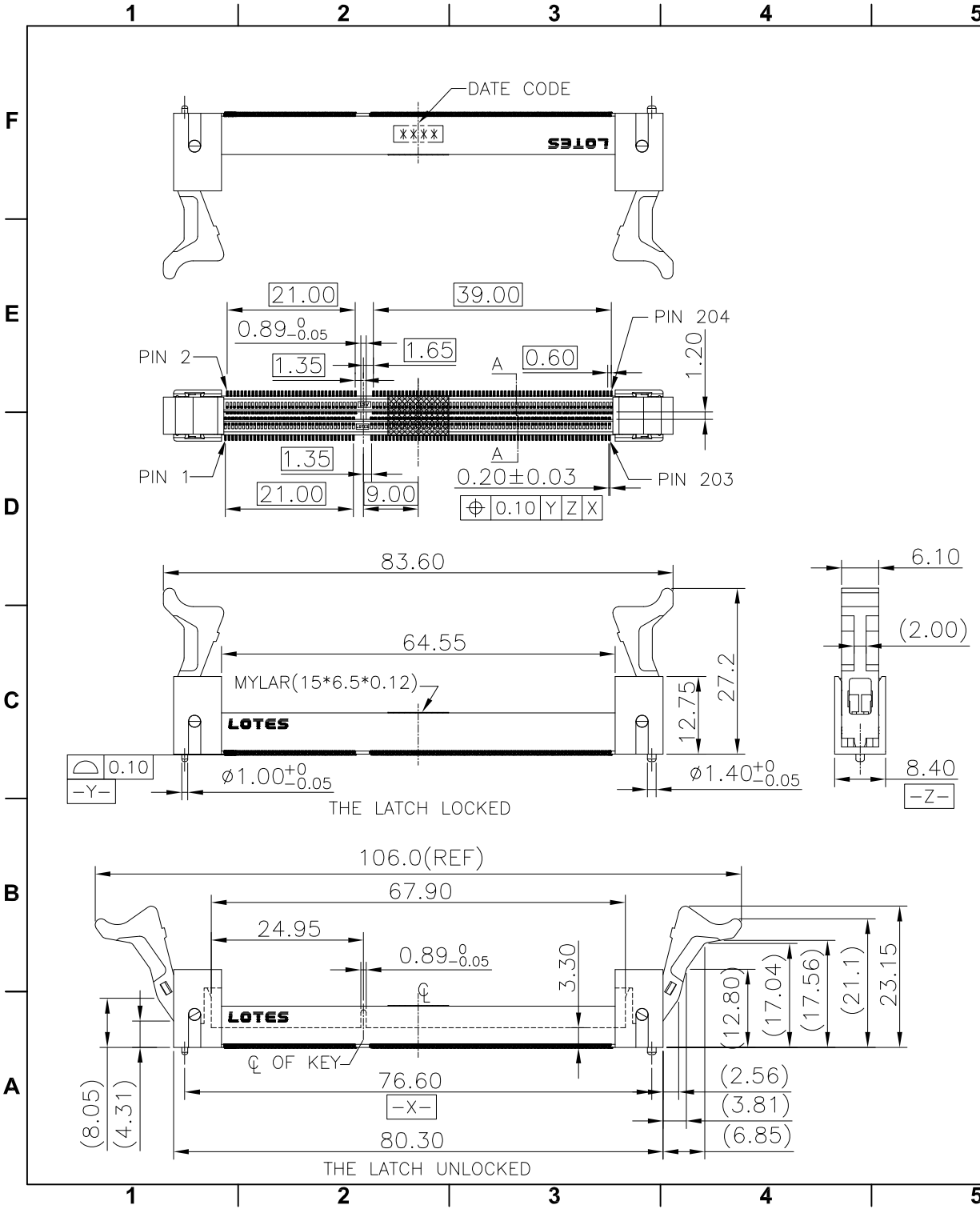
NOTES:

- MATERIAL SPECIFICATION:
 - HOUSING: LCP+40%GF, UL94V-0, COLOR: BLACK.
 - CONTACT: PHOSPHOR BRONZE-C5210.
 - LATCH: HIGH TEMPERATURE THERMOPLASTIC (SEE TABLE), UL94V-0, COLOR: SEE TABLE.
 - MYLAR: INSULATOR MATERIAL, COLOR: BROWN (SEE TABLE).
- PLATING SPECIFICATION:
 - CONTACT: NICKEL 50u" MIN. UNDER PLATING OVER ALL. MATTE TIN 80u" MIN. PLATING ON SOLDER AREA. GOLD PLATING ON CONTACT AREA (SEE TABLE).
- RoHS OR HF COMPLIANT (SEE TABLE).
- DATE CODE: ****
 WEEK
 YEAR
- MECHANICAL PERFORMANCE:
 - MATING FORCE: 11Kgf MAX..
 - DURABILITY: 25 CYCLES.
- ELECTRICAL PERFORMANCE:
 - CURRENT: 0.30A MAX. PER PIN.
 - VOLTAGE: 25V AC MAX..
 - LLCR: 55mΩ MAX. (INITIAL). 20mΩ ΔMAX. (FINAL).
 - DIELECTRIC WITHSTANDING VOLTAGE: 250V AC FOR 1 MINUTE.
 - INSULATION RESISTANCE: DC 500V 500MΩ.
- RECOMMENDED PROCESS;
 THE TEMPERATURE SHALL BE 260±5°C MAINTAINING 10±1 SECONDS.
- PRODUCT NUMBER NOTE :

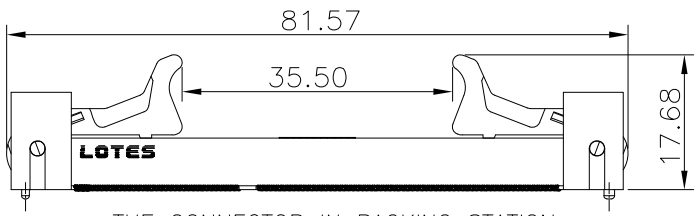
A A A - D D R - * * * - * * *



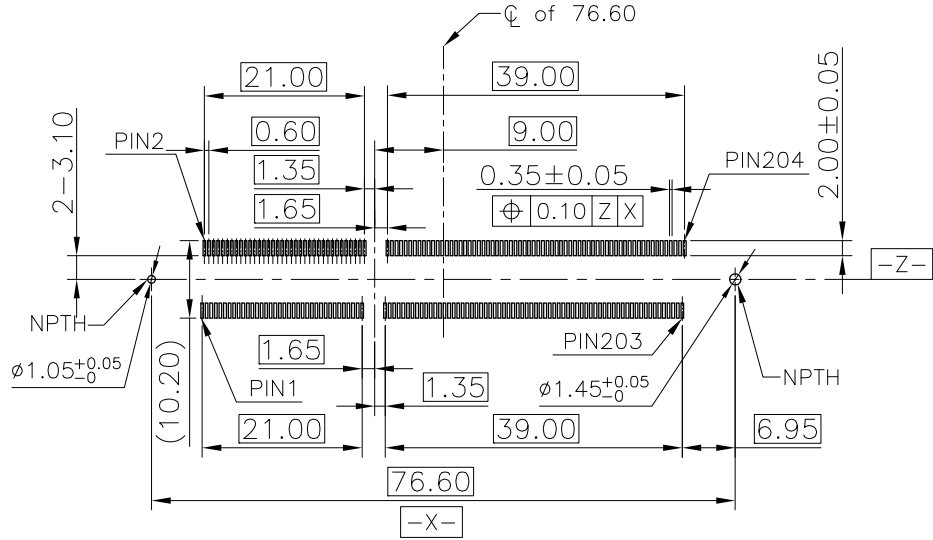
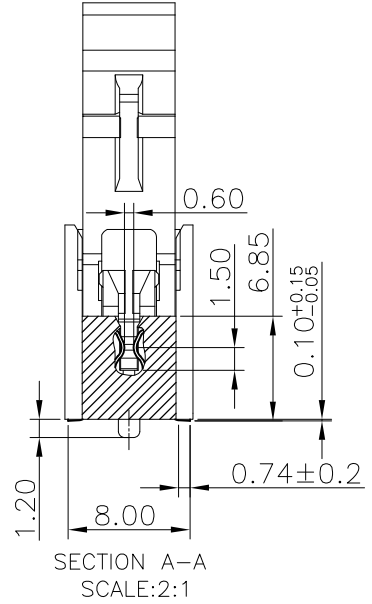
GENERAL TOLERANCES UNLESS SPECIFIED		PART NO.	LOTES		
SEE TABLE		SEE TABLE			
.X ± 0.35	X° ± 3°	APPROVED BY	TITLE SO DDR3 204PIN 180° SMT TYPE CONNECTOR		
.XX ± 0.25	.X° ± 2°	DEFANG.H 11/02'12			
.XXX ± 0.15	.XX° ± 1°	CHECKED BY	DWG NO. GAP-AAA-DDR-131-K07		
CUSTOMER DRAWING		JINGKE.H 11/02'12			
SIZE	UNITS	DRAWN BY	SHEET	SCALE	REV
A4	MM[INCH]	SHUANG.LI 11/02'12			



REV.	ECN NO./DESCRIPTION	DATE
1	N120423	11/02'12



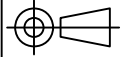
THE CONNECTOR IN PACKING STATION



RECOMMENDED PCB LAYOUT (TOP VIEW)
DEFAULT TOLERANCES:±0.05MM

TABLE:

AAA-DDR-131-K30	CONTACT AREA: Au1-3u"; SOLDER TAIL: Sn; LATCH_PA9T+33%GF; NATURAL(BEIGE)+MYLAR;	RoHS
AAA-DDR-131-K07	CONTACT AREA: Au15u"; LATCH_PA9T+33%GF; NATURAL(BEIGE)+MYLAR	RoHS
PART NO	DESCRIPTION	/

GENERAL TOLERANCES UNLESS SPECIFIED		PART NO.	LOTES						
.X ± 0.35	X.° ± 3°	SEE TABLE							
.XX ± 0.25	.X.° ± 2°	APPROVED BY DEFANG.H 11/02'12	TITLE SO DDR3 204PIN 180° SMT TYPE CONNECTOR						
.XXX ± 0.15	.XX.° ± 1°	CHECKED BY JINGKE.H 11/02'12	DWG NO. GAP-AAA-DDR-131-K07						
SIZE A4	UNITS MM[INCH]	DRAWN BY SHUANG.LI 11/02'12	 <table border="1"> <tr> <td>SHEET</td> <td>SCALE</td> <td>REV</td> </tr> <tr> <td>2 / 4</td> <td>1:1</td> <td>1</td> </tr> </table>	SHEET	SCALE	REV	2 / 4	1:1	1
SHEET	SCALE	REV							
2 / 4	1:1	1							

F

F

E

E

D

D

C

C

B

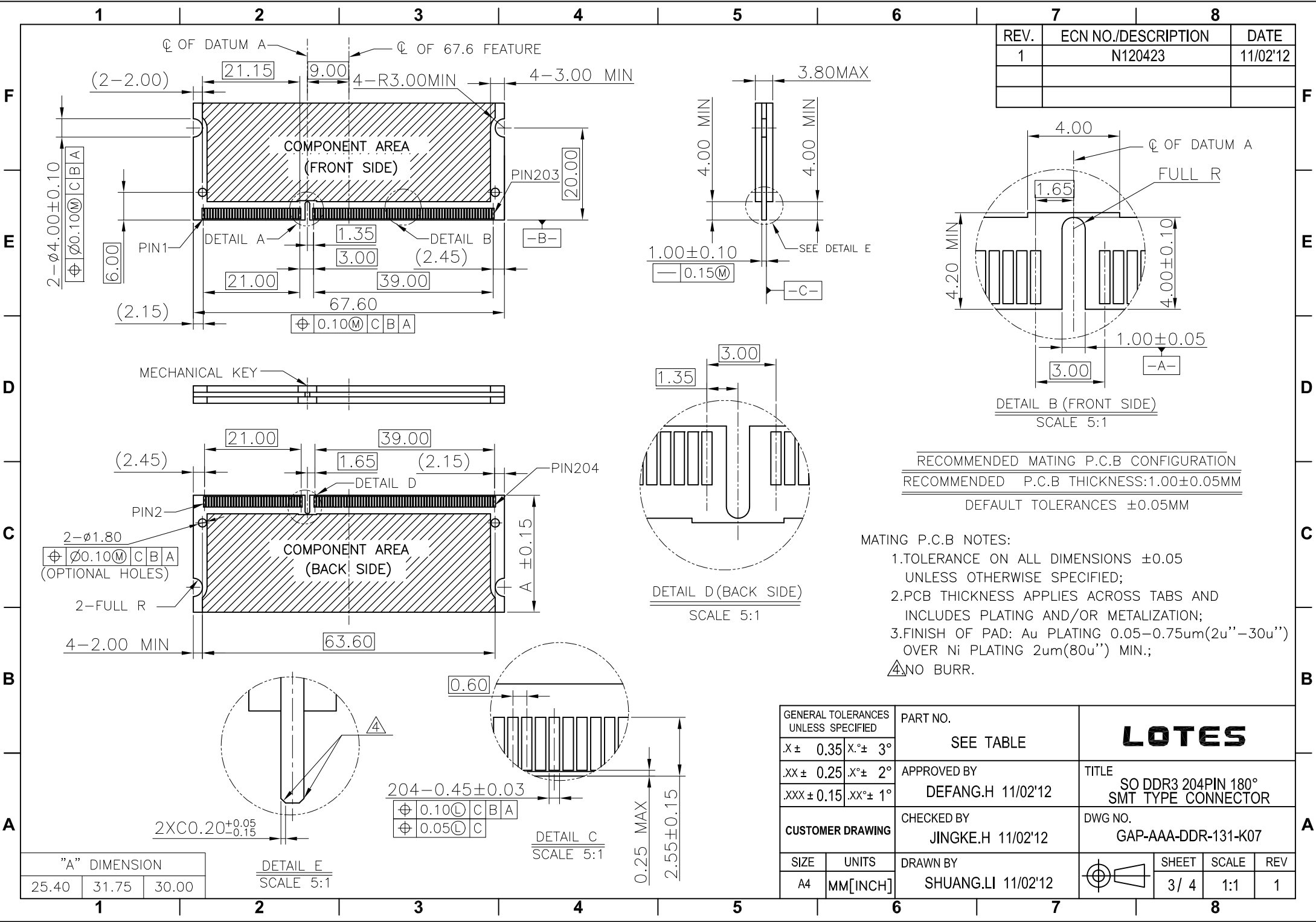
B

A

A

1 2 3 4 5 6 7 8

1 2 3 4 5 6 7 8



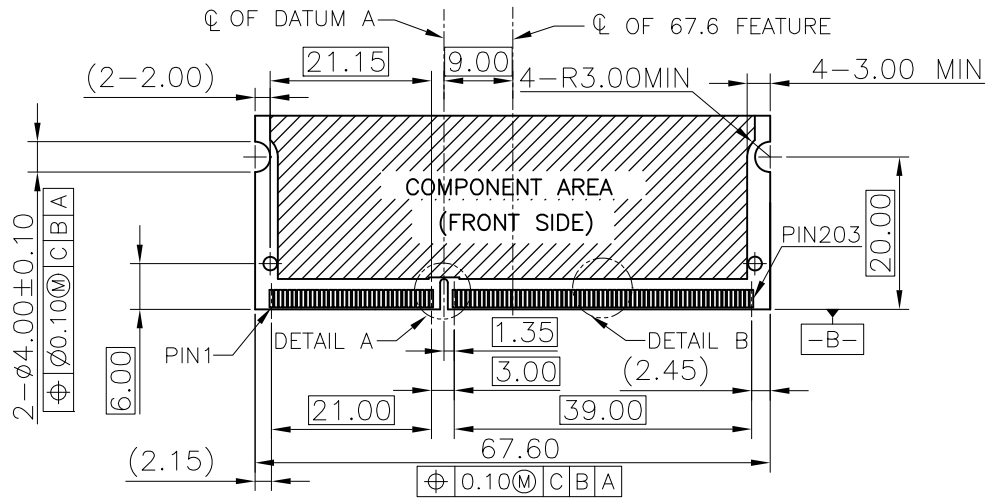
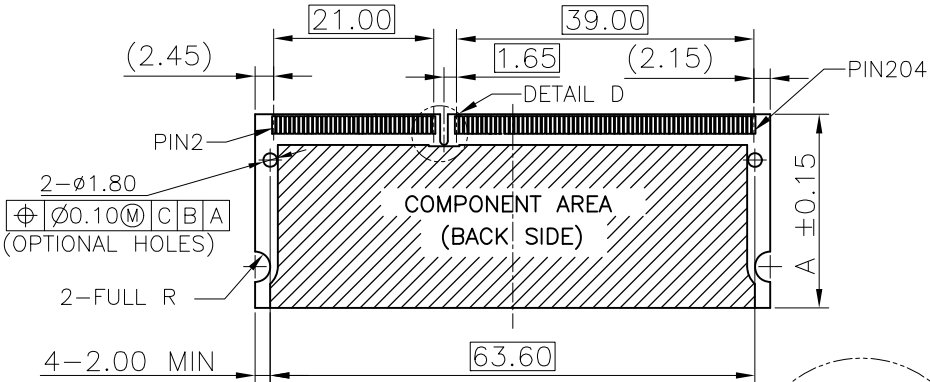
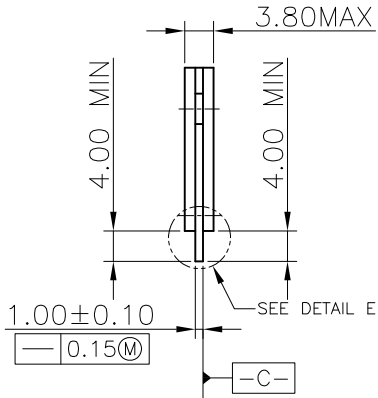
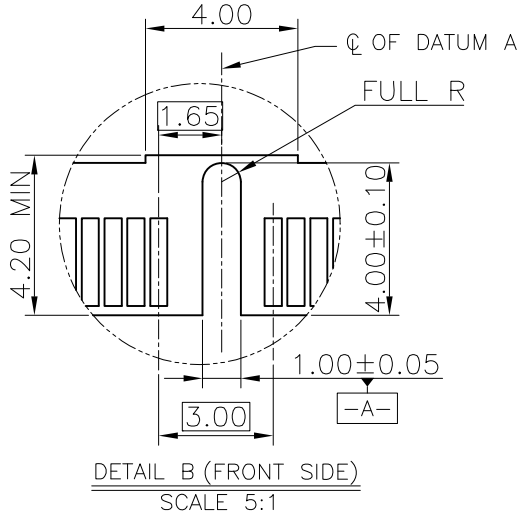
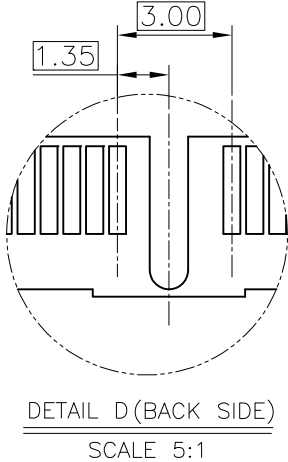
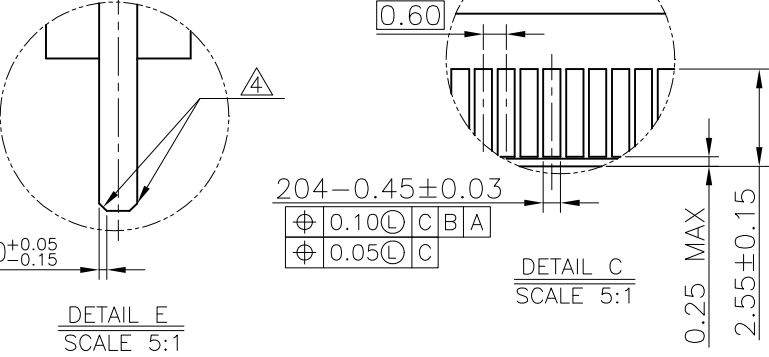
REV.	ECN NO./DESCRIPTION	DATE
1	N120423	11/02'12

RECOMMENDED MATING P.C.B CONFIGURATION
 RECOMMENDED P.C.B THICKNESS: 1.00±0.05MM
 DEFAULT TOLERANCES ±0.05MM

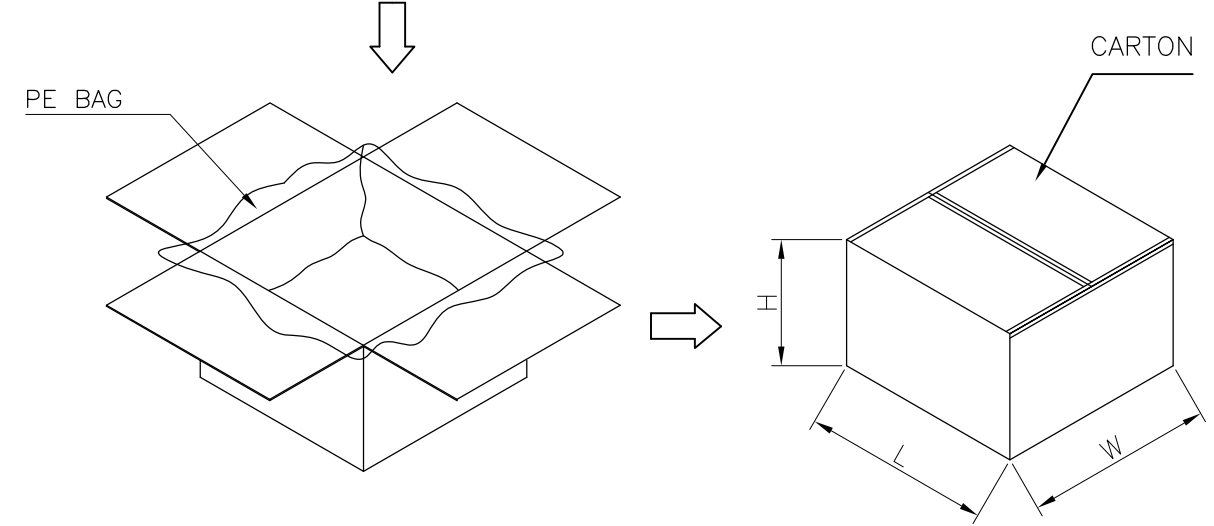
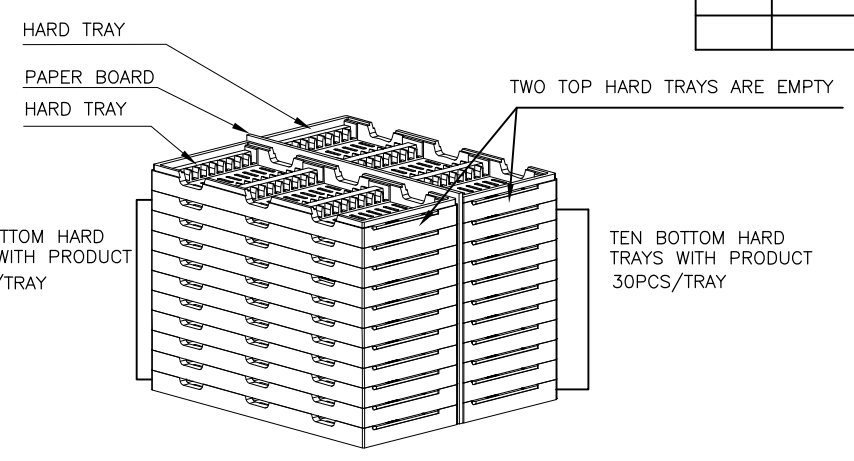
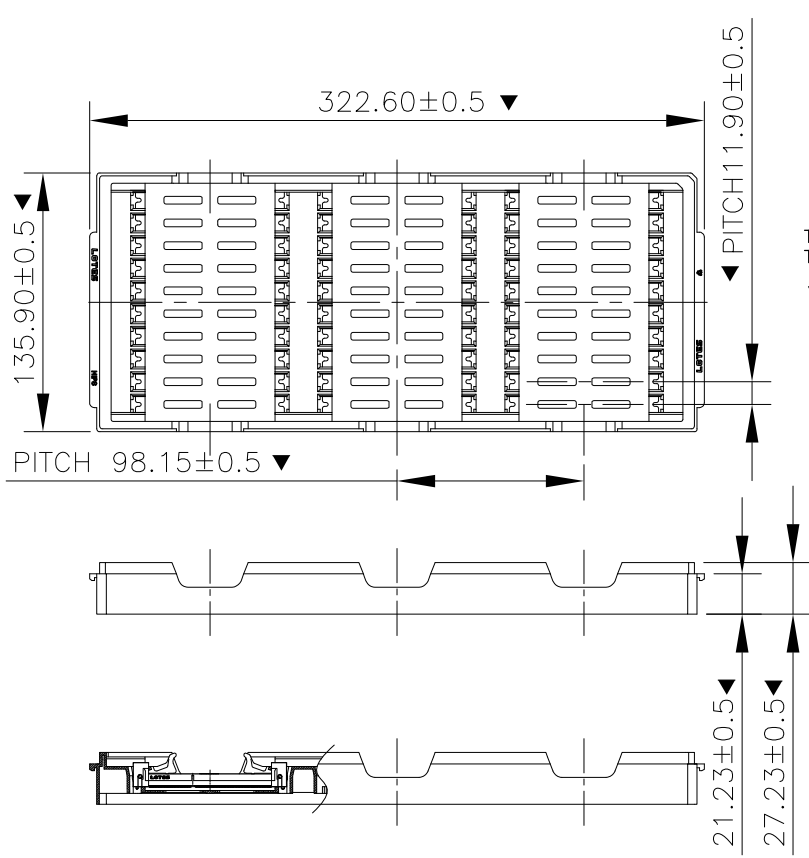
- MATING P.C.B NOTES:
- 1.TOLERANCE ON ALL DIMENSIONS ±0.05 UNLESS OTHERWISE SPECIFIED;
 - 2.PCB THICKNESS APPLIES ACROSS TABS AND INCLUDES PLATING AND/OR METALIZATION;
 - 3.FINISH OF PAD: Au PLATING 0.05–0.75um(2u''–30u'') OVER Ni PLATING 2um(80u'') MIN.;
- ⚠️ NO BURR.

GENERAL TOLERANCES UNLESS SPECIFIED		PART NO.	LOTES		
.X ± 0.35 X° ± 3°		SEE TABLE			
.XX ± 0.25 X° ± 2°		APPROVED BY	TITLE SO DDR3 204PIN 180° SMT TYPE CONNECTOR		
.XXX ± 0.15 XX° ± 1°		DEFANG.H 11/02'12			
CUSTOMER DRAWING		CHECKED BY	DWG NO. GAP-AAA-DDR-131-K07		
		JINGKE.H 11/02'12			
SIZE	UNITS	DRAWN BY	SHEET SCALE REV		
A4	MM[INCH]	SHUANG.LI 11/02'12			

"A" DIMENSION		
25.40	31.75	30.00



REV.	ECN NO./DESCRIPTION	DATE
1	N120423	11/02'12



5	PE BAG	G09-6-50002-K02	400*350*350 T=0.04	1 PCS
4	CARTON	G09-1-25006-P01	280*325*255;K=A	1 PCS
3	PAPER BOARD	G09-3-30018-P01	300*270*6	3 PCS
2	HARD TRAY	G09-A-30149-P01	322.6*135.9*27.23;HIPS_BLACK	22 PCS
1	CONNECTOR	SEE TABLE		600 PCS
NO.	DESCRIPTION	PART NO.	SPECIFICATION	QT'Y

GENERAL TOLERANCES UNLESS SPECIFIED		PART NO.	LOTES			
.X ± 0.35	X.° ± 3°	SEE TABLE				
.XX ± 0.25	.X.° ± 2°	APPROVED BY DEFANG.H 11/02'12	TITLE SO DDR3 204PIN 180° SMT TYPE CONNECTOR			
.XXX ± 0.15	.XX.° ± 1°	CHECKED BY JINGKE.HU 11/02'12	DWG NO. GAP-AAA-DDR-131-K07			
CUSTOMER DRAWING		DRAWN BY SHUANG.LI 11/02'12		SHEET	SCALE	REV
A4	MM[INCH]			4/4	1:1	1